

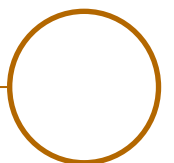
AURORE WALL-MOUNTED RANGE

CONTENTS

AURORE D40	2
AURORE D42	7
AURORE D52	10
AURORE D55	15
AURORE D60	19
AURORE D82	24



AURORE D40 WALL-MOUNTED





AURORE D40 WALL-MOUNTED • Round • Round Magnetic

Range	Highly adjustable luminaires for general & accent lighting
Description	Luminaire equipped with low luminance spotlight Rotation 360° - Adjustable tilt 90° max
Finish	White RAL 9003 matt finish Black RAL 9005 matt finish (other upon request)
Dimensions	Spotlight diameter : 40mm Spotlight length : 80mm Wall-mounted box diameter : 52mm
Net weight	0.150kg
LED characteristics	2700K - 3000K - 3500K - 4000K - 5000K (other upon request) MacAdam ellipse : 3 SDCM CRI90 (standard version) - CRI95, R9 > 80
Optical beams	6° - 10° - 15° - 20° - 25° - 30° - 35° - 40° - 55° - 60° - Elliptical UGR < 15
Accessories	Filtres, honeycomb grid upon request
Luminous flux	300 to 800 lumen according to version
Connection	Supplied with 0.5m cable Or connectors in the box
Power supply	Remote constant current driver 700mA max. according to version Dimmable driver upon request For US & Canada, use a driver UL class 2
Power	4W to 10W according to version
Use limitations	The product must be installed into a ventilated area Any use with an ambient temperature higher than the specified ambient temperature (Ta) would lead to a more rapid mortality of the product and the withdrawal of our guarantees The drivers, if not delivered by LOuss, must be approved before use
Warranty	Life span: L80B10 at 50,000 hours (80% remaining flux) at 25°C ambient temperature. 3-year parts and labour warranty The warranty does not apply to products that have been opened, modified or repaired and does not cover the effects of a wrong connection, careless, abusive handling, overvoltage, lighting injury, as well as the normal wear of the product All products are electrically tested and received a functional burn-in

All the connections have to be made before powering up,
otherwise the luminaires could be seriously damaged

2/3

LOuss

Last update: 2025/06/13

Firalux & LOuss brands

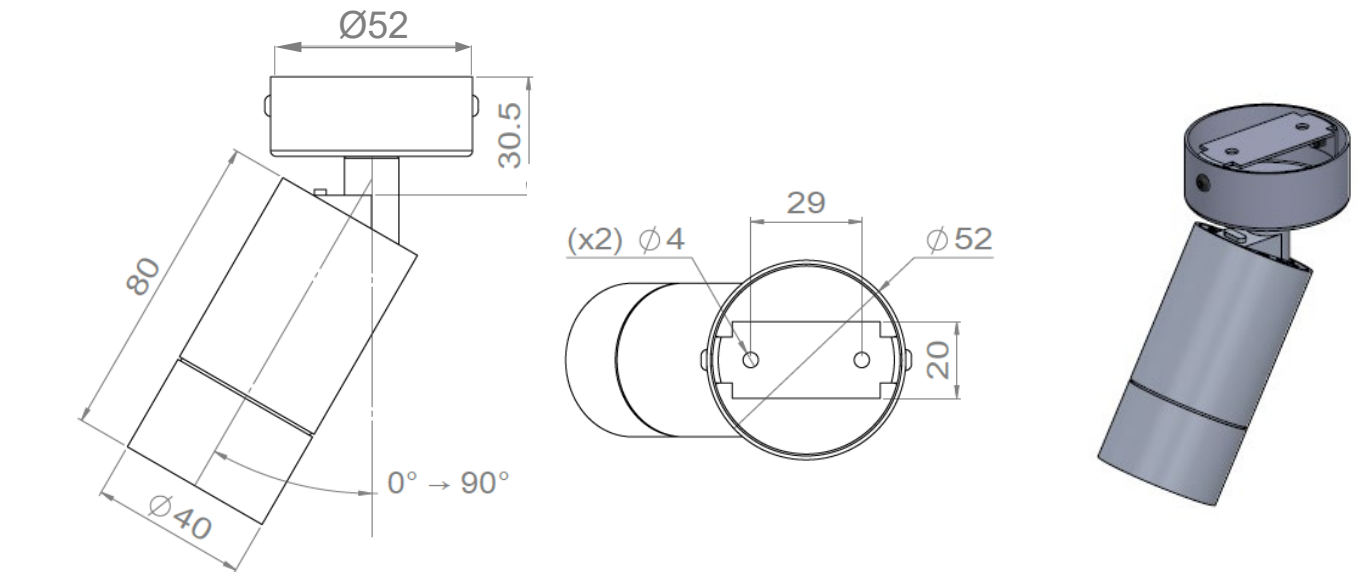
SARL, Capital 40 000€
RCS DIJON B 503 367 245
TVA/VAT n°: FR24 503 367 245
APE 4676Z

Tel. : +33 380 48 65 68
contact@louss.fr
www.louss.fr
Best group

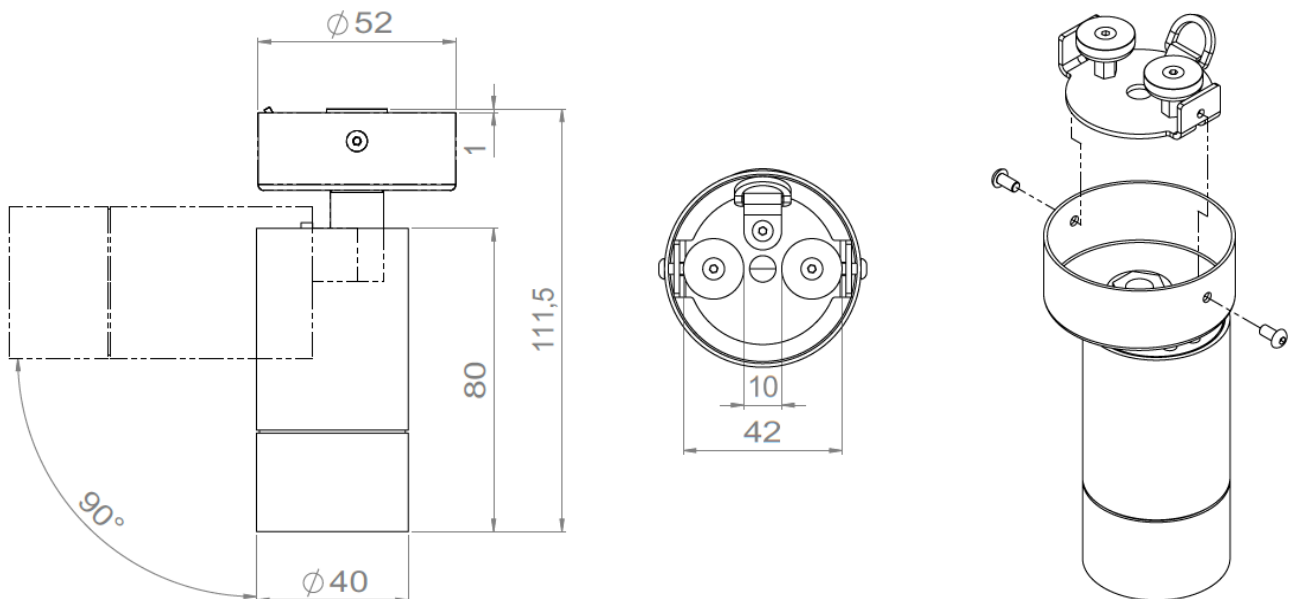
Siège social / Head Office
PA Les Terres d'Or
Route de Saint Philibert
21220 Gevrey Chambertin - FRANCE



AURORE D40 ROUND WALL-MOUNTED



AURORE D40 ROUND WALL-MOUNTED MAGNETIC



All the connections have to be made before powering up,
otherwise the luminaires could be seriously damaged

lOuss

SARL, Capital 40 000€
RCS DIJON B 503 367 245
TVA/VAT n°: FR24 503 367 245
APE 4676Z

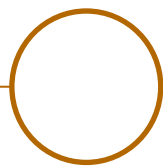
Last update: 2025/06/13

Tel. : +33 380 48 65 68
contact@louss.fr
www.louss.fr
Best group

3/3

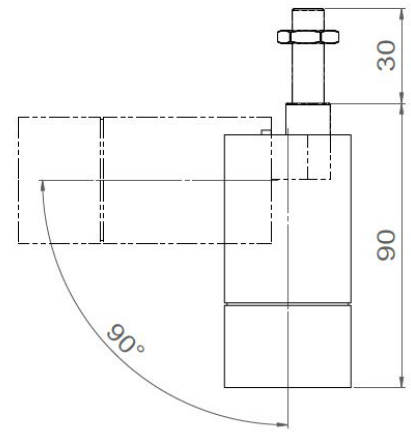
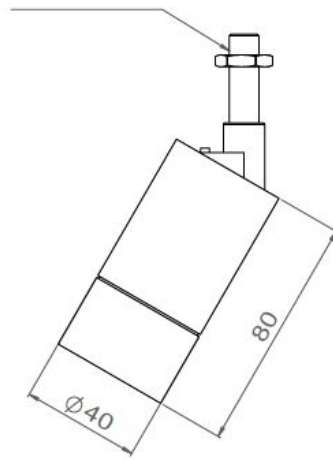
Firalux & LOuss brands

Siège social / Head Office
PA Les Terres d'Or
Route de Saint Philibert
21220 Gevrey Chambertin - FRANCE



AURORE D40 PIVOT

Threaded rod M10x1 + fixing nut



AURORE D40 PIVOT

Range	Highly adjustable luminaire for general & accent lighting
Description	Luminaire equipped with low luminance spotlight Rotation 360° - Adjustable tilt 90° max
Finish	White RAL 9003 matt finish Black RAL 9005 matt finish (other upon request)
Dimensions	Spotlight diameter : 40mm Spotlight length : 80mm
Net Weight	0.150 kg
LED characteristics	2700K - 3000K - 3500K - 4000K - 5000K MacAdam ellipse: 3 SDCM CRI 90 (standard) - CRI 95, R9 > 80
Optical beams	6° - 10° - 15° - 20° - 25° - 30° - 35° - 40° - 55° - 60° - Elliptical UGR < 15
Accessories	Filters, honeycomb grid
Luminous flux	300 to 800 lumen according to version
Installation	Fixation with threaded rod M10x1 + fixing nut
Connection	Supplied with 0.5m cable
Power supply	Remote constant current driver 700mA max. according to version Dimmable driver upon request For US & Canada, use a driver UL class 2
Power	3W to 10W according to version
Use limitations	The product must be installed into a ventilated area Any use with an ambient temperature higher than the specified ambient temperature (Ta) would lead to a more rapid mortality of the product and the withdrawal of our guarantees The drivers, if not delivered by LOuss, must be approved before use
Warranty	Life span: L80B10 at 50,000 hours (80% remaining flux) at 25°C ambient temperature. 3-year parts and labour warranty The warranty does not apply to products that have been opened, modified or repaired and does not cover the effects of a wrong connection, careless, abusive handling, overvoltage, lighting injury, as well as the normal wear of the product All products are electrically tested and received a functional burn-in

All the connections have to be made before powering up,
otherwise the luminaires could be seriously damaged

2/2

LOuss

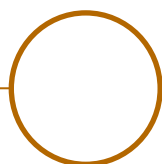
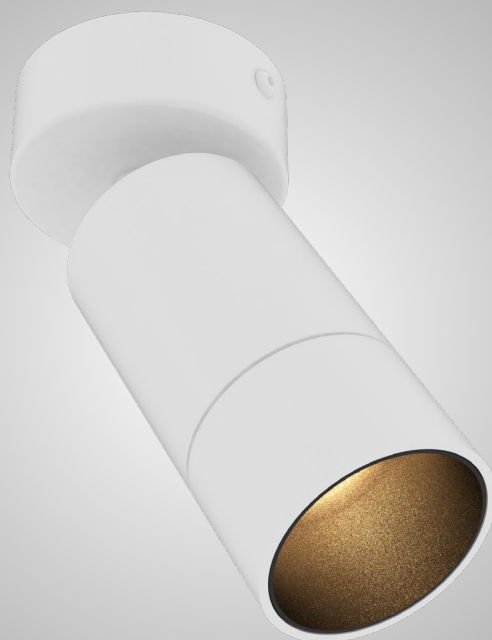
Last update : 2025/06/13

Firalux & LOuss brands

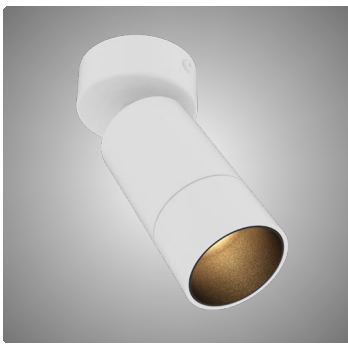
SARL, Capital 40 000€
RCS DIJON B 503 367 245
TVA/VAT n°: FR24 503 367 245
APE 4676Z

Tel. : +33 380 48 65 68
contact@louss.fr
www.louss.fr
Best group

Siège social / Head Office
PA Les Terres d'Or
Route de Saint Philibert
21220 Gevrey Chambertin - FRANCE



AURORE D42 WALL-MOUNTED



AURORE D42 ROUND WALL-MOUNTED

Range	Highly adjustable luminaires for general & accent lighting
Description	Luminaire equipped with low luminance spotlight Rotation 360° - Adjustable tilt 90° max
Finish	White RAL 9003 matt finish Black RAL 9005 matt finish (other upon request)
Dimensions	Spotlight diameter : 42mm Spotlight length : 80mm Wall-mounted box diameter : 52mm
Net weight	0.150kg
LED characteristics	2700K - 3000K - 3500K - 4000K - 5000K (other upon request) MacAdam ellipse : 3 SDCM CRI90 (standard version) - CRI95, R9 > 80
Optical beams	6° - 10° - 15° - 20° - 25° - 30° - 35° - 40° - 55° - 60° - Elliptical UGR < 15
Accessories	Filters, honeycomb grids upon request
Luminous flux	300 to 800 lumen according to version
Connection	Supplied with 0.5m cable Or connectors in the box
Power supply	Remote constant current driver 700mA max. according to version Dimmable driver upon request For US & Canada, use a driver UL class 2
Power	4W to 10W according to version
Use limitations	The product must be installed into a ventilated area Any use with an ambient temperature higher than the specified ambient temperature (Ta) would lead to a more rapid mortality of the product and the withdrawal of our guarantees The drivers, if not delivered by LOuss, must be approved before use
Warranty	Life span: L80B10 at 50,000 hours (80% remaining flux) at 25°C ambient temperature. 3-year parts and labour warranty The warranty does not apply to products that have been opened, modified or repaired and does not cover the effects of a wrong connection, careless, abusive handling, overvoltage, lighting injury, as well as the normal wear of the product All products are electrically tested and received a functional burn-in

All the connections have to be made before powering up,
otherwise the luminaires could be seriously damaged

2/3

LOuss

Last update: 2025/06/13

Firalux & LOuss brands

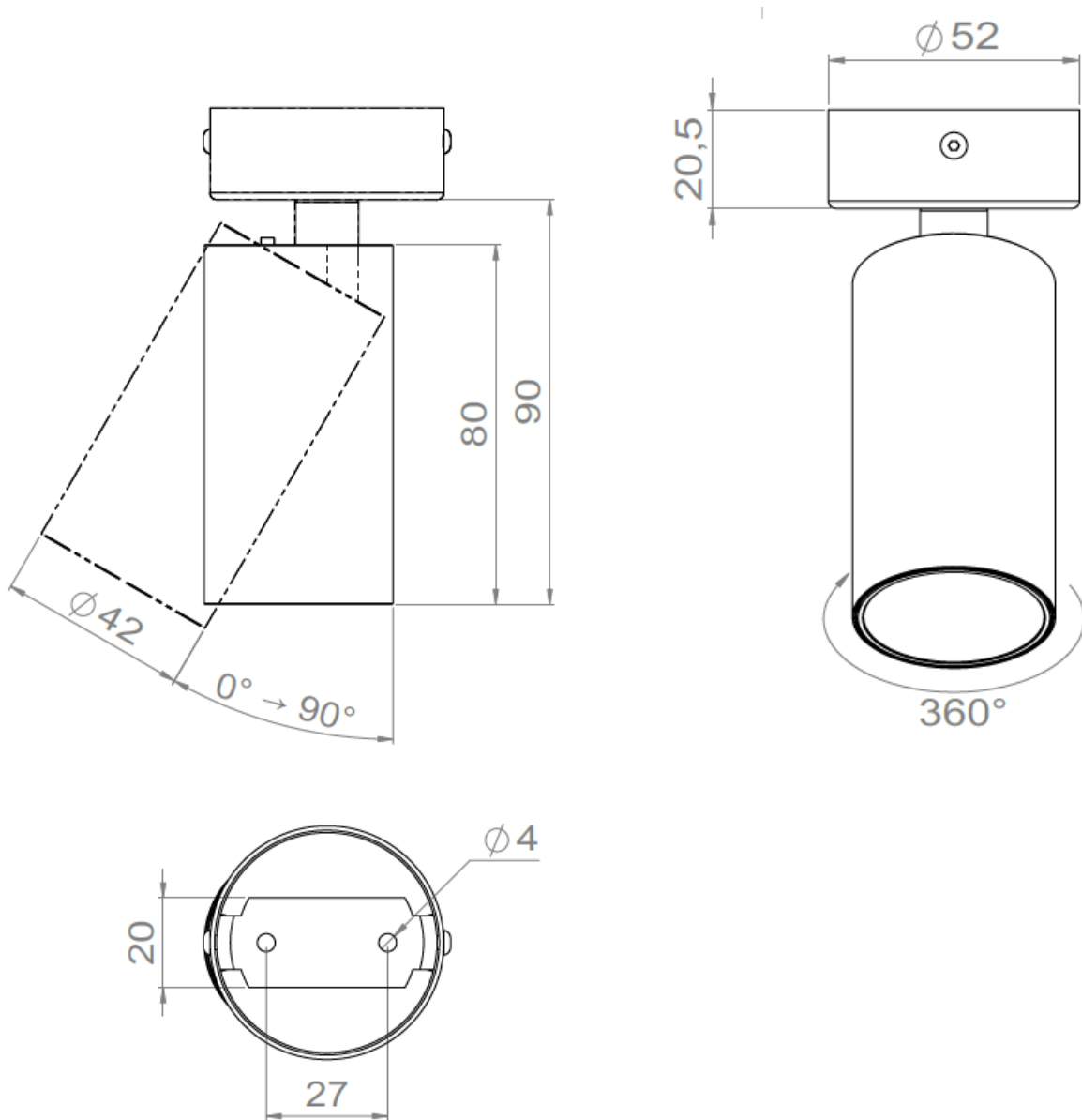
SARL, Capital 40 000€
RCS DIJON B 503 367 245
TVA/VAT n°: FR24 503 367 245
APE 4676Z

Tel. : +33 380 48 65 68
contact@louss.fr
www.louss.fr
Best group

Siège social / Head Office
PA Les Terres d'Or
Route de Saint Philibert
21220 Gevrey Chambertin - FRANCE



AURORE D42 ROUND WALL-MOUNTED



All the connections have to be made before powering up,
otherwise the luminaires could be seriously damaged

l'ouss

Last update: 2025/06/13

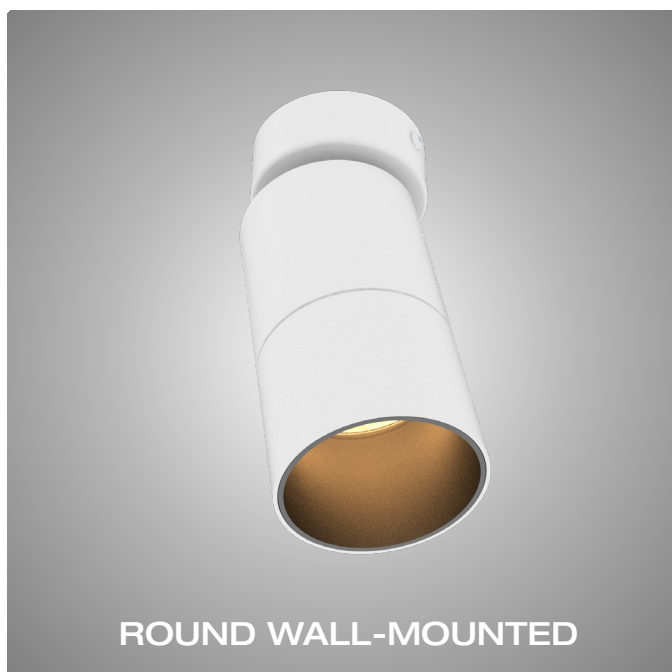
3/3

Firalux & LOuss brands

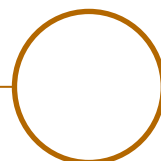
SARL, Capital 40 000€
RCS DIJON B 503 367 245
TVA/VAT n°: FR24 503 367 245
APE 4676Z

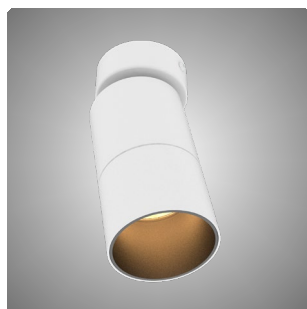
Tel. : +33 380 48 65 68
contact@louss.fr
www.louss.fr
Best group

Siège social / Head Office
PA Les Terres d'Or
Route de Saint Philibert
21220 Gevrey Chambertin - FRANCE



AURORE D52 WALL-MOUNTED





**ROUND
WALL-MOUNTED**



**RECTANGULAR
WALL-MOUNTED**

Range	Highly adjustable luminaires for general & accent lighting	
Description	Low luminance Rotation 360° - Adjustable tilt 90°	
Finish	White RAL 9003 matt finish Black RAL 9005 matt finish (other upon request)	
Dimensions	Round Wall-Mounted	Rectangular Wall-Mounted
	Spotlight diameter : 52mm Spotlight length : 95mm (13W) 140mm (20W) Box diameter : 52mm	Spotlight diameter : 52mm Spotlight length : 95mm (13W) 140mm (20W) Box dimensions : 142.5x60.5mm
Net weight	0.3kg	0.8kg
LED characteristics	2700K – 3000K – 3500K - 4000K – 5000K (other upon request) MacAdam ellipse : 3 SDCM (standard) – 2 SDCM (premium) CRI 90 (standard) – CRI 95, R9 > 90 (premium)	
Optical beams	7° - 12° - 15° - 25° - 30° - 40° - Asymmetrical – Elliptical UGR < 15	
Accessories	Filters, honeycomb grid upon request	
Luminous flux	600 to 2,000 lumen according to version	
Connection	Supplied with 0.5m cable or connectors in the wall-mounted box	
Power supply	All Versions	Rectangular Wall-Mounted
	Remote constant current driver 1400mA max. according to version Dimmable driver upon request For US & Canada, use a driver UL class 2	Driver 700mA max. integrated in the box For US & Canada, use a driver UL class 2
Power	6W to 25W according to version	
Use limitations	The product must be installed into a ventilated area Any use with an ambient temperature higher than the specified ambient temperature (Ta) would lead to a more rapid mortality of the product and the withdrawal of our guarantees The drivers, if not delivered by LOuss, must be approved before use	
Warranty	Life span: L80B10 at 50,000 hours (80% remaining flux) at 25°C ambient temperature. 3-year parts and labour warranty The warranty does not apply to products that have been opened, modified or repaired and does not cover the effects of a wrong connection, careless, abusive handling, overvoltage, lighting injury, as well as the normal wear of the product All products are electrically tested and received a functional burn-in	

All the connections have to be made before powering up,
otherwise the luminaires could be seriously damaged

Last update: 2025/06/13

2/3

LOuss

SARL, Capital 40 000€
RCS DIJON B 503 367 245
TVA/VAT n°: FR24 503 367 245
APE 4676Z

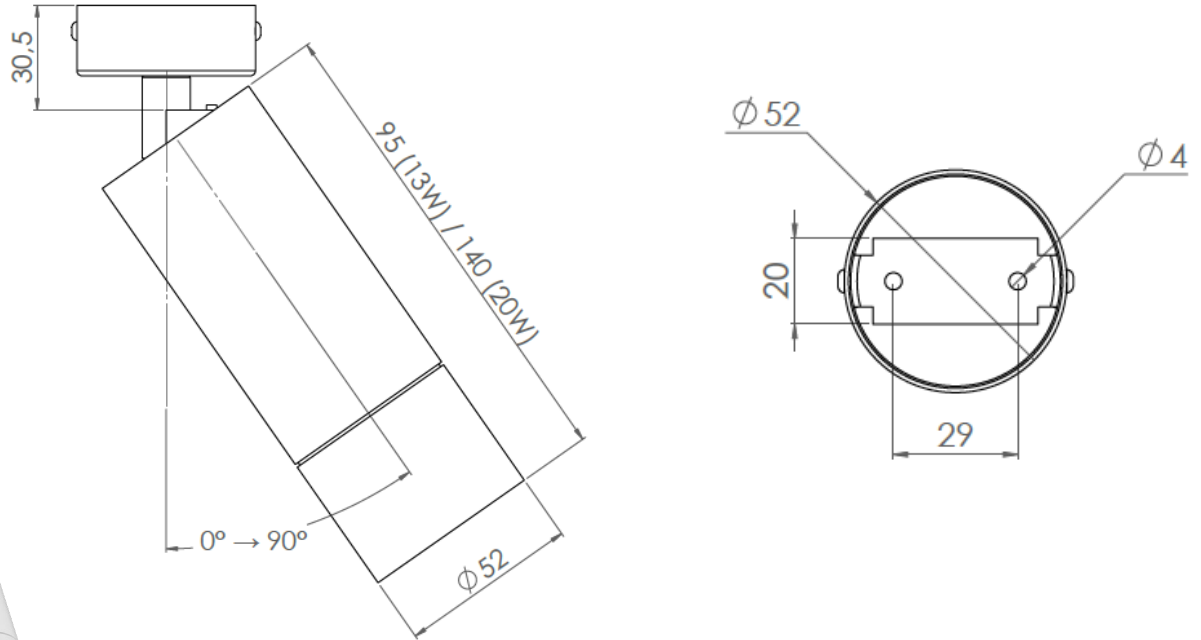
Tel. : +33 380 48 65 68
contact@louss.fr
www.louss.fr
Best group

Siège social / Head Office
PA Les Terres d'Or
Route de Saint Philibert
21220 Gevrey Chambertin - FRANCE

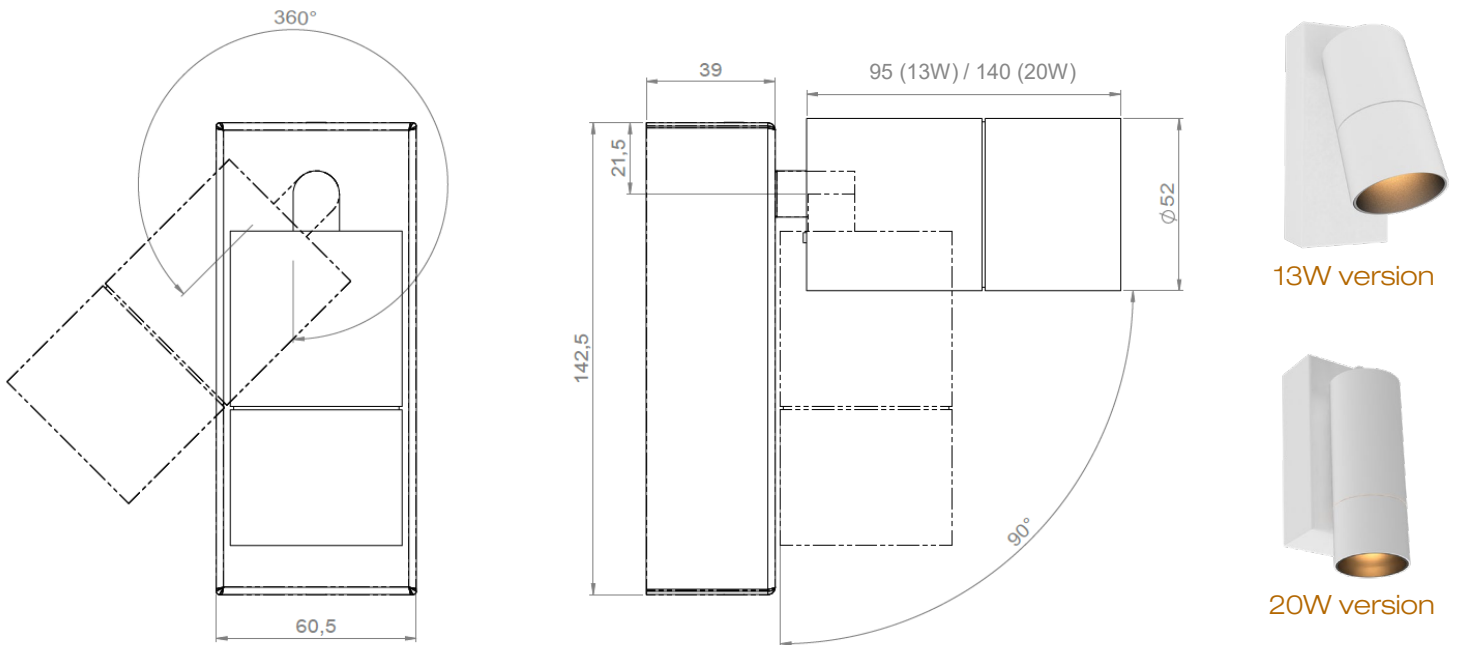
Firalux & LOuss brands



AURORE D52 ROUND WALL-MOUNTED



AURORE D52 RECTANGULAR WALL-MOUNTED



All the connections have to be made before powering up,
otherwise the luminaires could be seriously damaged

LOUSS

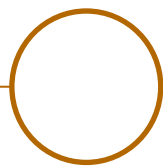
Last update: 2025/06/13

Firlux & LOUSS brands

SARL, Capital 40 000€
RCS DIJON B 503 367 245
TVA/VAT n°: FR24 503 367 245
APE 4676Z

Tel. : +33 380 48 65 68
contact@louss.fr
www.louss.fr
Best group

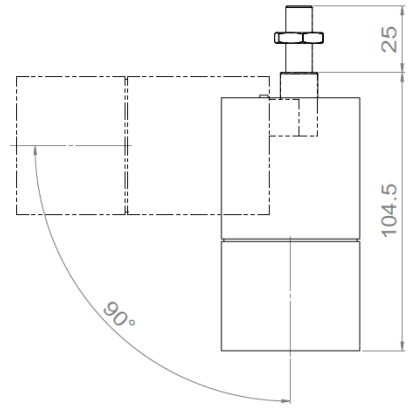
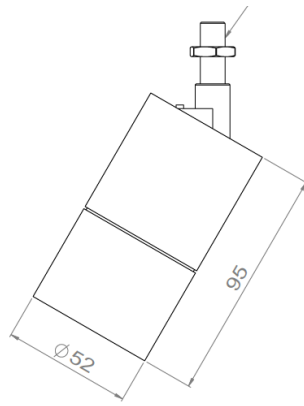
Siège social / Head Office
PA Les Terres d'Or
Route de Saint Philibert
21220 Gevrey Chambertin - FRANCE



AURORE D52 PIVOT



Threaded rod M10x1 + fixing nut



AURORE D52 PIVOT

Range	Highly adjustable luminaire for general & accent lighting
Description	Low luminance Rotation 360° - Adjustable tilt 90° max
Finish	White RAL 9003 matt finish Black RAL 9005 matt finish (other upon request)
Dimensions	Spotlight diameter : 52mm Spotlight length : 95mm
Net Weight	0.5kg
LED characteristics	2700K – 3000K – 4000K – 5000K (other upon request) MacAdam ellipse: 3 SDCM (standard) – 2 SDCM (premium) CRI 90 (standard) – CRI 95, R9 > 90 (premium)
Optical beams	7° - 12° - 15° - 20° - 25° - 30° - 35° - Elliptical UGR < 15
Accessories	Filters, honeycomb grid
Luminous flux	600 to 2,000 lumen according to version
Installation	Fixation with threaded rod M10x1 + fixing nut
Connection	Supplied with 0.5m cable
Power supply	Remote constant current driver 1400mA max. according to version Dimmable driver upon request For US & Canada, use a driver UL class 2
Power	6W to 13W according to version
Use limitations	The product must be installed into a ventilated area Any use with an ambient temperature higher than the specified ambient temperature (Ta) would lead to a more rapid mortality of the product and the withdrawal of our guarantees The drivers, if not delivered by LOuss, must be approved before use
Warranty	Life span: L80B10 at 50,000 hours (80% remaining flux) at 25°C ambient temperature. 3-year parts and labour warranty The warranty does not apply to products that have been opened, modified or repaired and does not cover the effects of a wrong connection, careless, abusive handling, overvoltage, lighting injury, as well as the normal wear of the product All products are electrically tested and received a functional burn-in

All the connections have to be made before powering up, otherwise the luminaires could be seriously damaged

Last update : 2025/06/13

2/2

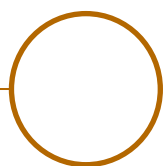
Firalux & LOuss brands

LOuss

SARL, Capital 40 000€
RCS DIJON B 503 367 245
TVA/VAT n°: FR24 503 367 245
APE 4676Z

Tel. : +33 380 48 65 68
contact@louss.fr
www.louss.fr
Best group

Siège social / Head Office
PA Les Terres d'Or
Route de Saint Philibert
21220 Gevrey Chambertin - FRANCE



AURORE D55 WALL-MOUNTED



AURORE D55 ROUND WALL-MOUNTED

Range	Highly adjustable luminaires for general & accent lighting
Description	Luminaire equipped with low luminance spotlight Rotation 360° - Adjustable tilt 90° max Easily changeable LED, optics and accessories on-site without any tool, with integrated Permuto Easy Swap system (see page 4)
Finish	Black RAL 9005 matt finish White RAL 9003 matt finish (other upon request)
Dimensions	Spotlight diameter : 55mm Spotlight length : 95mm Wall-mounted box diameter : 52mm
Net weight	0.350kg
LED characteristics	2700K - 3000K - 3500K - 4000K - 5000K (other upon request) MacAdam ellipse : 3 SDCM (standard) - 2 SDCM (premium) CRI90 (standard version) - CRI95, R9 > 80
Optical beams	13° - 18° - 24° -32° (CRI < 98) 7° (IRC 90) UGR < 15
Accessories	Filters, honeycomb grids upon request
Luminous flux	600 to 2,000 lumen according to version
Connection	Supplied with 0.5m cable Or connectors in the box
Power supply	Remote constant current driver 1400mA max. according to version Dimmable driver upon request For US & Canada, use a driver UL class 2
Power	6W to 25W according to version
Use limitations	The product must be installed into a ventilated area Any use with an ambient temperature higher than the specified ambient temperature (Ta) would lead to a more rapid mortality of the product and the withdrawal of our guarantees The drivers, if not delivered by LOuss, must be approved before use
Warranty	Life span: L80B10 at 50,000 hours (80% remaining flux) at 25°C ambient temperature. 3-year parts and labour warranty The warranty does not apply to products that have been opened, modified or repaired and does not cover the effects of a wrong connection, careless, abusive handling, overvoltage, lighting injury, as well as the normal wear of the product All products are electrically tested and received a functional burn-in

All the connections have to be made before powering up,
otherwise the luminaires could be seriously damaged

2/4

LOuss

Last update: 2025/06/13

Firalux & LOuss brands

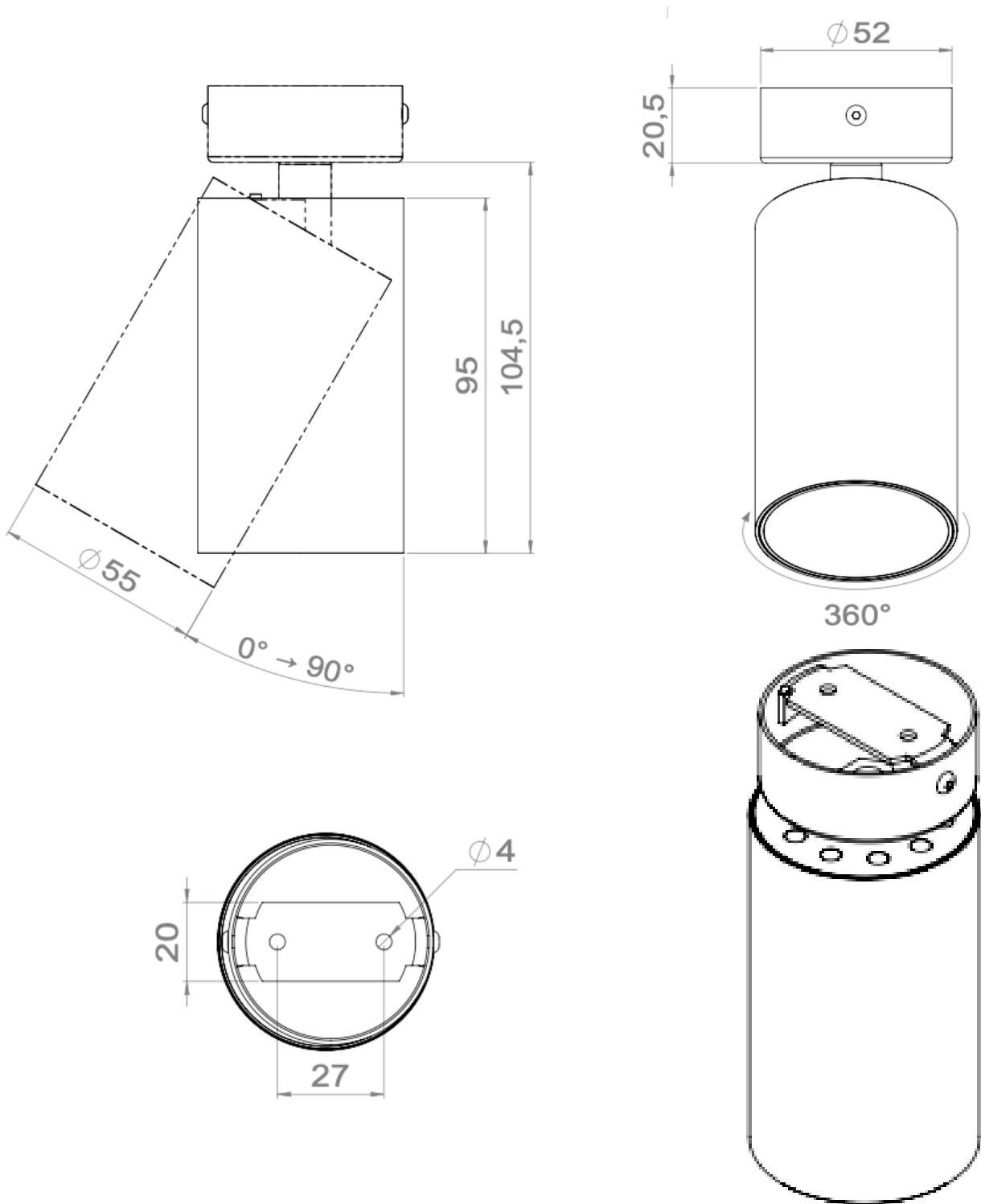
SARL, Capital 40 000€
RCS DIJON B 503 367 245
TVA/VAT n°: FR24 503 367 245
APE 4676Z

Tel. : +33 380 48 65 68
contact@louss.fr
www.louss.fr
Best group

Siège social / Head Office
PA Les Terres d'Or
Route de Saint Philibert
21220 Gevrey Chambertin - FRANCE



AURORE D55 ROUND WALL-MOUNTED



All the connections have to be made before powering up,
otherwise the luminaires could be seriously damaged

LOUSS

Last update: 2025/06/13

Firalux & LOUSS brands

SARL, Capital 40 000€
RCS DIJON B 503 367 245
TVA/VAT n°: FR24 503 367 245
APE 4676Z

Tel. : +33 380 48 65 68
contact@louss.fr
www.louss.fr
Best group

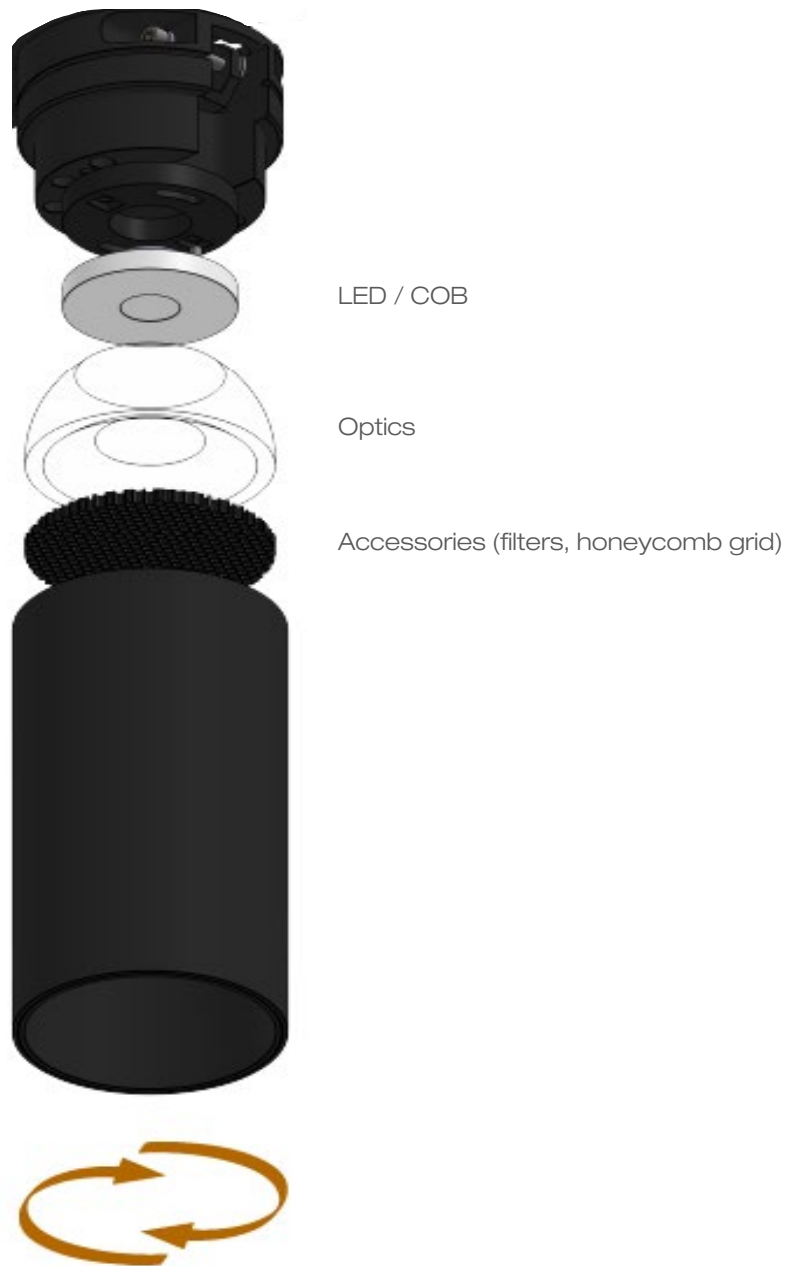
Siège social / Head Office
PA Les Terres d'Or
Route de Saint Philibert
21220 Gevrey Chambertin - FRANCE



AURORE D55 ROUND WALL-MOUNTED



L'Ouss **Permuto** – easy swap system



All the connections have to be made before powering up,
otherwise the luminaires could be seriously damaged

L'Ouss

Last update: 2025/06/13

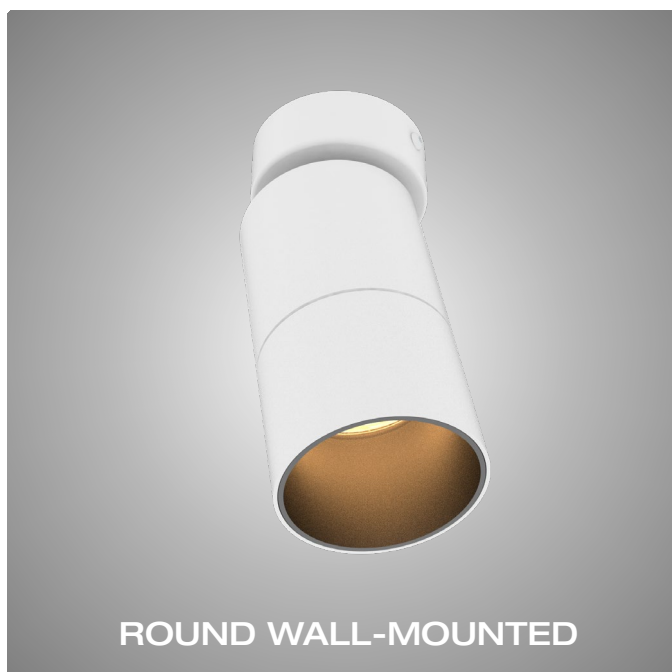
4/4

Firalux & L'Ouss brands

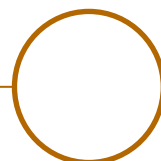
SARL, Capital 40 000€
RCS DIJON B 503 367 245
TVA/VAT n°: FR24 503 367 245
APE 4676Z

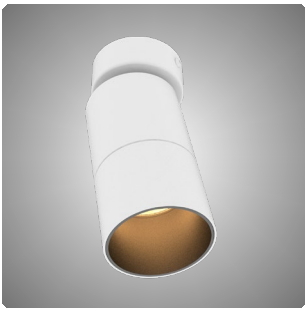
Tel. : +33 380 48 65 68
contact@louss.fr
www.louss.fr
Best group

Siège social / Head Office
PA Les Terres d'Or
Route de Saint Philibert
21220 Gevrey Chambertin - FRANCE



AURORE D60 WALL-MOUNTED





AURORE D60 • Round Wall-Mounted • Rectangular Wall-Mounted

Range	Highly adjustable luminaires for general & accent lighting	
Description	Low luminance Rotation 360° - Adjustable tilt 90°	
Finish	White RAL 9003 matt finish Black RAL 9005 matt finish (other upon request)	
Dimensions	Round Wall-Mounted	Rectangular Wall-Mounted
	Spotlight diameter : 52mm Spotlight length : 145mm Box diameter : 52mm	Spotlight diameter : 52mm Spotlight length : 140 mm Box dimensions : 142.5x61mm
Net weight	0.3kg	0.8kg
LED characteristics	2700K – 3000K – 3500K - 4000K – 5000K (other upon request) MacAdam ellipse : 3 SDCM (standard) – 2 SDCM (premium) CRI 90 (standard) – CRI 95, R9 > 90 (premium)	
Optical beams	7° - 12° - 15° - 25° - 30° - 40° - Asymetrical – Elliptical UGR < 15	
Accessoires	Filters, honeycomb grid upon request	
Luminous flux	600 to 2,000 lumen according to version	
Connection	Delivered with 0.5m cable or connectors in the round or rectangular box	
Separated Power supply	Remote constant current driver 1400mA max. according to version Dimmable driver upon request	
Integrated Power supply	Rectangular wall-mounted : driver 700mA max. integrated in the box	
Power	6W to 25W according to version	
Use limitations	The product must be installed into a ventilated area Any use with an ambient temperature higher than the specified ambient temperature (Ta) would lead to a more rapid mortality of the product and the withdrawal of our guarantees The drivers, if not delivered by LOuss, must be approved before use	
Warranty	Life span: L80B10 at 50,000 hours (80% remaining flux) at 25°C ambient temperature. 3-year parts and labour warranty The warranty does not apply to products that have been opened, modified or repaired and does not cover the effects of a wrong connection, careless, abusive handling, overvoltage, lighting injury, as well as the normal wear of the product All products are electrically tested and received a functional burn-in	

All the connections have to be made before powering up,
otherwise the luminaires could be seriously damaged

2/3

LOuss

Last update: 2025/06/13

Firalux & LOuss brands

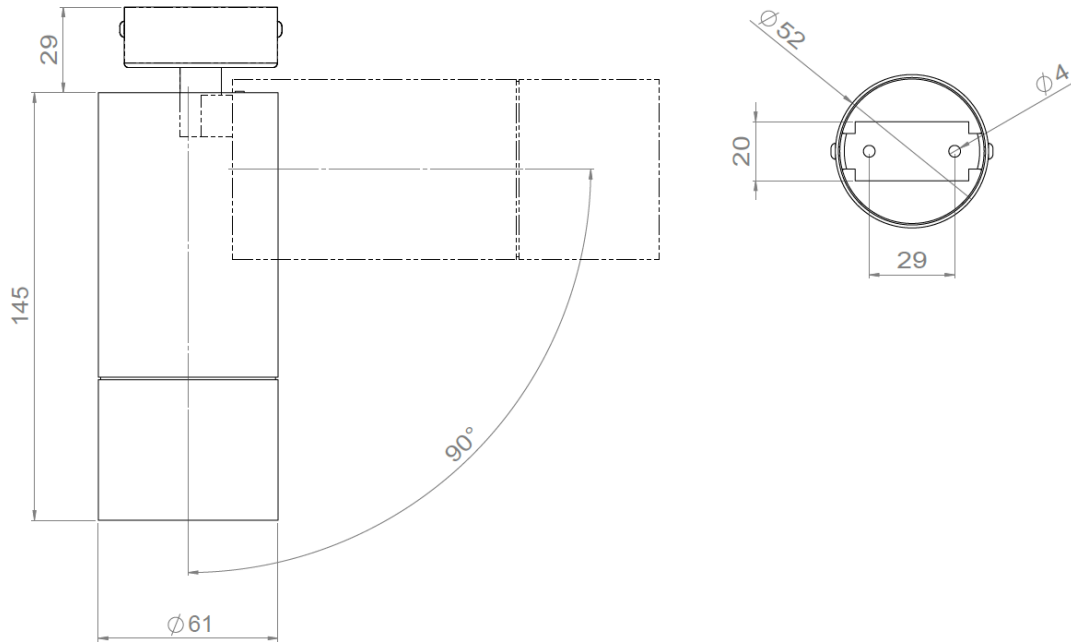
SARL, Capital 40 000€
RCS DIJON B 503 367 245
TVA/VAT n°: FR24 503 367 245
APE 4676Z

Tel. : +33 380 48 65 68
contact@louss.fr
www.louss.fr
Best group

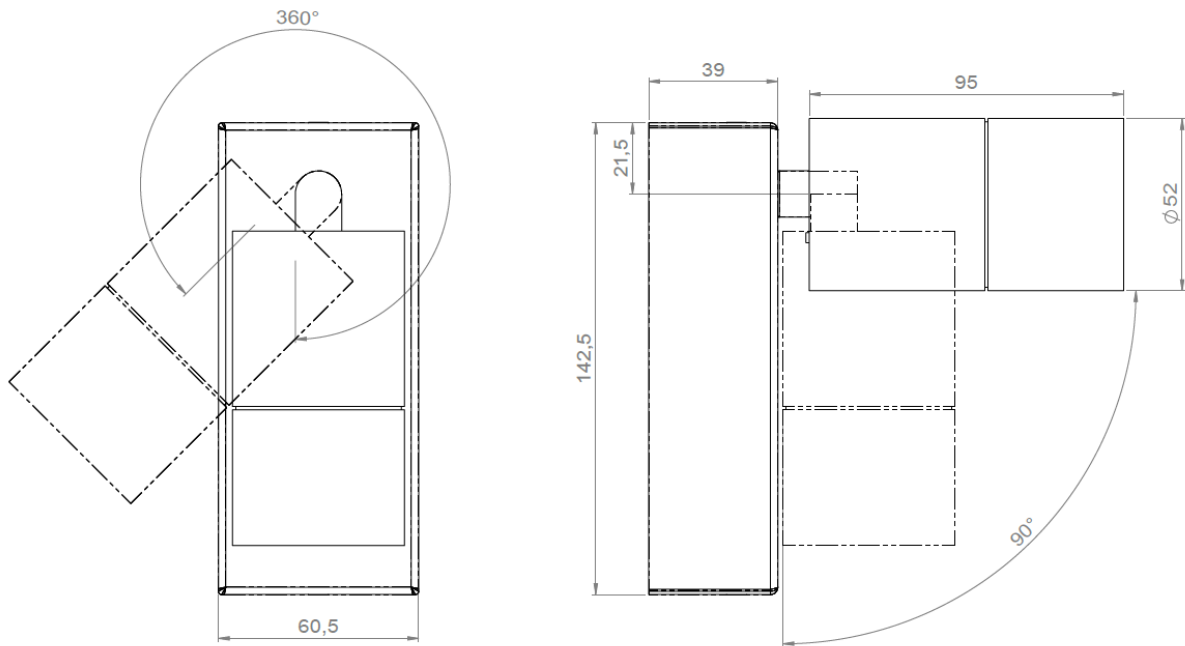
Siège social / Head Office
PA Les Terres d'Or
Route de Saint Philibert
21220 Gevrey Chambertin - FRANCE



AURORE D60 ROUND WALL-MOUNTED



AURORE D60 RECTANGULAR WALL-MOUNTED



All the connections have to be made before powering up,
otherwise the luminaires could be seriously damaged

LOUSS

Last update: 2025/06/13

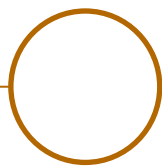
3/3

Firalux & LOUSS brands

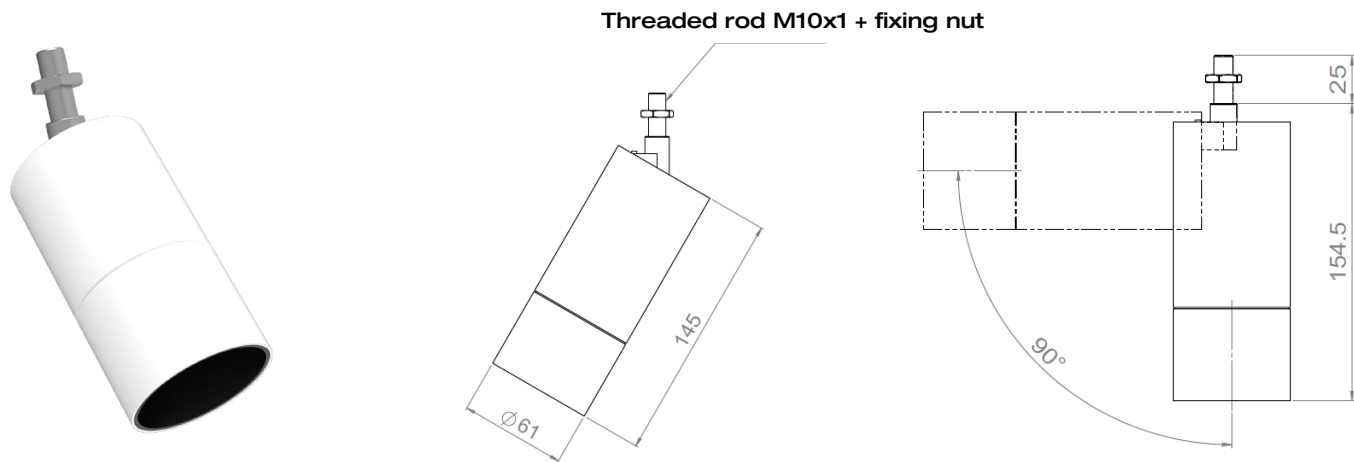
SARL, Capital 40 000€
RCS DIJON B 503 367 245
TVA/VAT n°: FR24 503 367 245
APE 4676Z

Tel. : +33 380 48 65 68
contact@louss.fr
www.louss.fr
Best group

Siège social / Head Office
PA Les Terres d'Or
Route de Saint Philibert
21220 Gevrey Chambertin - FRANCE



AURORE D60 PIVOT



AURORE D60 PIVOT

Range	Highly adjustable luminaire for general & accent lighting
Description	Luminaire equipped with low luminance spotlight Rotation 360° - Adjustable tilt 90° max
Finish	White RAL 9003 matt finish Black RAL 9005 matt finish (other upon request)
Dimensions	Spotlight diameter : 61mm Spotlight length : 145mm
Net Weight	0.5kg
LED characteristics	2700K - 3000K - 4000K - 5000K (other upon request) MacAdam ellipse: 3 SDCM (standard) - 2 SDCM (premium) CRI 90 (standard) - CRI 95, R9 > 90 (premium)
Optical beams	7° - 12° - 15° - 25° - 30° - 40° - Elliptical
Accessories	Filters, honeycomb grid
Installation	Fixation with threaded rod M10x1 + fixing nut
Connection	Supplied with 0.5m cable
Power supply	Remote constant current driver 1400mA max. according to version Dimmable driver upon request For US & Canada, use a driver UL class 2
Power	6W to 25W according to version
Use limitations	The product must be installed into a ventilated area Any use with an ambient temperature higher than the specified ambient temperature (Ta) would lead to a more rapid mortality of the product and the withdrawal of our guarantees The drivers, if not delivered by LOuss, must be approved before use
Warranty	Life span: L80B10 at 50,000 hours (80% remaining flux) at 25°C ambient temperature. 3-year parts and labour warranty The warranty does not apply to products that have been opened, modified or repaired and does not cover the effects of a wrong connection, careless, abusive handling, overvoltage, lighting injury, as well as the normal wear of the product All products are electrically tested and received a functional burn-in

All the connections have to be made before powering up,
otherwise the luminaires could be seriously damaged

LOuss

Last update : 2025/06/13

2/2

Firalux & LOuss brands

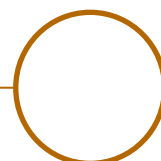
SARL, Capital 40 000€
RCS DIJON B 503 367 245
TVA/VAT n°: FR24 503 367 245
APE 4676Z

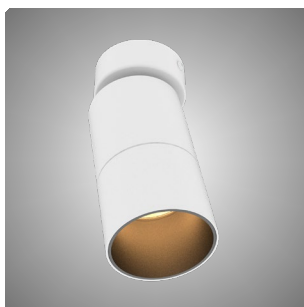
Tel. : +33 380 48 65 68
contact@louss.fr
www.louss.fr
Best group

Siège social / Head Office
PA Les Terres d'Or
Route de Saint Philibert
21220 Gevrey Chambertin - FRANCE



**AURORE D82
WALL-MOUNTED**





**ROUND
WALL-MOUNTED**



**RECTANGULAR
WALL-MOUNTED**



ON-PLATE

Range	Highly adjustable luminaires for general & accent lighting		
Description	Low luminance 1 LED or 3 LEDs versions Rotation 360° - Adjustable tilt 88°		
Finish	White RAL 9003 matt finish Black RAL 9005 matt finish (other upon request)		
Dimensions	Round Wall-Mounted	Rectangular Wall-Mounted	On-Plate
	Spotlight diameter : 52mm Spotlight length : 146mm Box diameter : 52mm	Spotlight diameter : 52mm Spotlight length : 146mm Box dimensions : 81x170mm	Spotlight diameter : 52mm Spotlight length : 146mm Plate diameter : 81mm
Net weight	0.8kg	1.3 kg	0.9 kg
LED characteristics	1 LED		3 LEDs
	2700K – 3000K – 3500K - 4000K – 5000K (other upon request) MacAdam ellipse : 3 SDCM (standard) 2 SDCM (premium)		2700K – 3000K – 3500K - 4000K – 5000K (other upon request) Tunable white version : 3 LED 2700K – 4000K – 6500K RGB version
	CRI 90 (standard) – CRI 95, R9 > 90 (premium)		
Optical beams	1 LED		3 LEDs
	7° - 12° - 15° - 25° - 30° - 40° - Elliptical UGR < 15		20° - 30° UGR < 15
Accessories	Filters, honeycomb grid upon request		
Luminous flux	1 LED		3 LEDs
	1500 to 2500Lm according to version		2300 to 2600 Lm according to version
Connection	1 LED		3 LEDs
	Supplied with 0.5m cable or connectors in the box (except for On-plate version)		Supplied with 0.5m of 8-conductor cable Daisy-chain option : 2 input/output cables for serial wiring
Power supply	All versions (1 LED)	Rectangular W.-M (1 LED)	All versions (3 LEDs)
	Remote constant current driver 1400mA max. according to version Dimmable driver upon request	Constant current driver 700mA max. integrated in the box	Remote constant current DMX driver 700mA max (1A possible with driver flanged at 30W)
	For the US & Canada, use a driver UL class 2		

All the connections have to be made before powering up, otherwise the luminaires could be seriously damaged

Last update: 2025/06/13

2/5

LOUSS

Firalux & LOUSS brands

SARL, Capital 40 000€
RCS DIJON B 503 367 245
TVA/VAT n°: FR24 503 367 245
APE 4676Z

Tel. : +33 380 48 65 68
contact@louss.fr
www.louss.fr
Best group

Siège social / Head Office
PA Les Terres d'Or
Route de Saint Philibert
21220 Gevrey Chambertin - FRANCE



**ROUND
WALL-MOUNTED**



**RECTANGULAR
WALL-MOUNTED**



ON-PLATE

Power	1 LED	3 LEDs
		6W to 25W according to version
Use limitations	<p>The product must be installed into a ventilated area</p> <p>Any use with an ambient temperature higher than the specified ambient temperature (Ta) would lead to a more rapid mortality of the product and the withdrawal of our guarantees</p> <p>The drivers, if not delivered by LOuss, must be approved before use</p>	
Warranty	<p>Life span: L80B10 at 50,000 hours (80% remaining flux) at 25°C ambient temperature.</p> <p>3-year parts and labour warranty</p> <p>The warranty does not apply to products that have been opened, modified or repaired and does not cover the effects of a wrong connection, careless, abusive handling, overvoltage, lighting injury, as well as the normal wear of the product</p> <p>All products are electrically tested and received a functional burn-in</p>	

All the connections have to be made before powering up,
otherwise the luminaires could be seriously damaged

3/5

LOuss

Last update: 2025/06/13

Firalux & LOuss brands

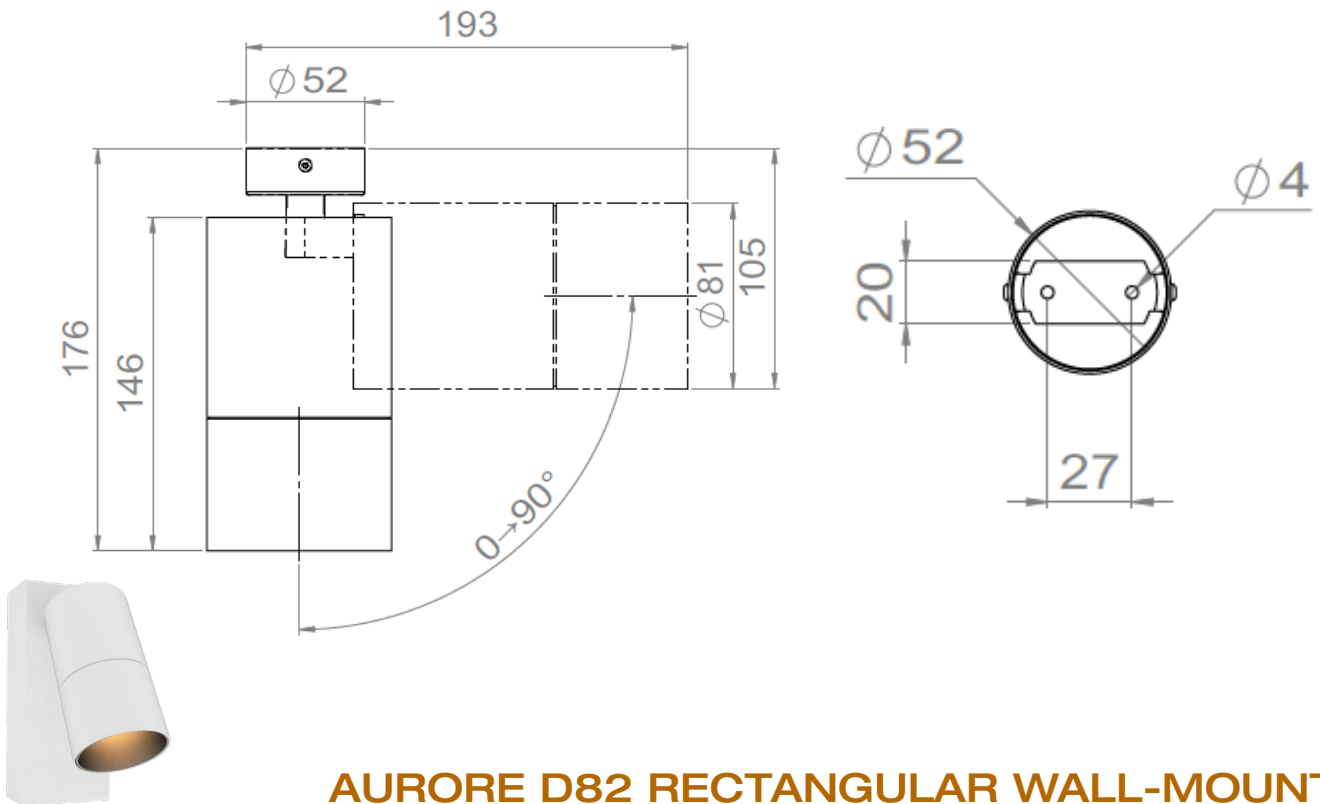
SARL, Capital 40 000€
RCS DIJON B 503 367 245
TVA/VAT n°: FR24 503 367 245
APE 4676Z

Tel. : +33 380 48 65 68
contact@louss.fr
www.louss.fr
Best group

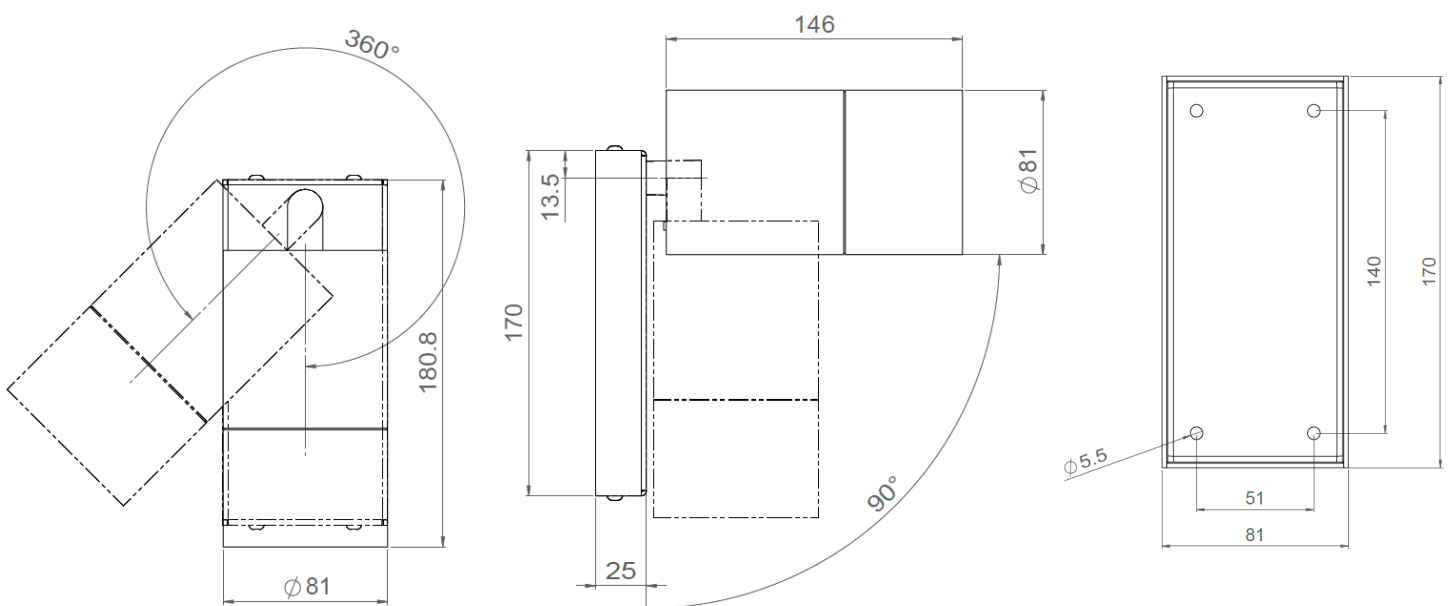
Siège social / Head Office
PA Les Terres d'Or
Route de Saint Philibert
21220 Gevrey Chambertin - FRANCE



AURORE D82 ROUND WALL-MOUNTED



AURORE D82 RECTANGULAR WALL-MOUNTED



All the connections have to be made before powering up,
otherwise the luminaires could be seriously damaged

LOUSS

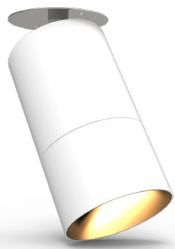
Last update: 2025/06/13

Firalux & LOUSS brands

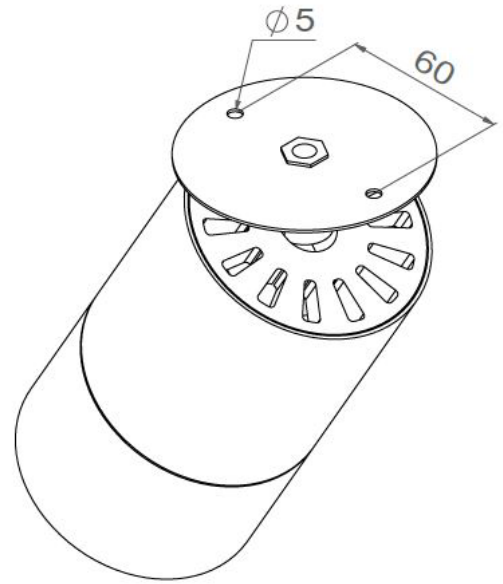
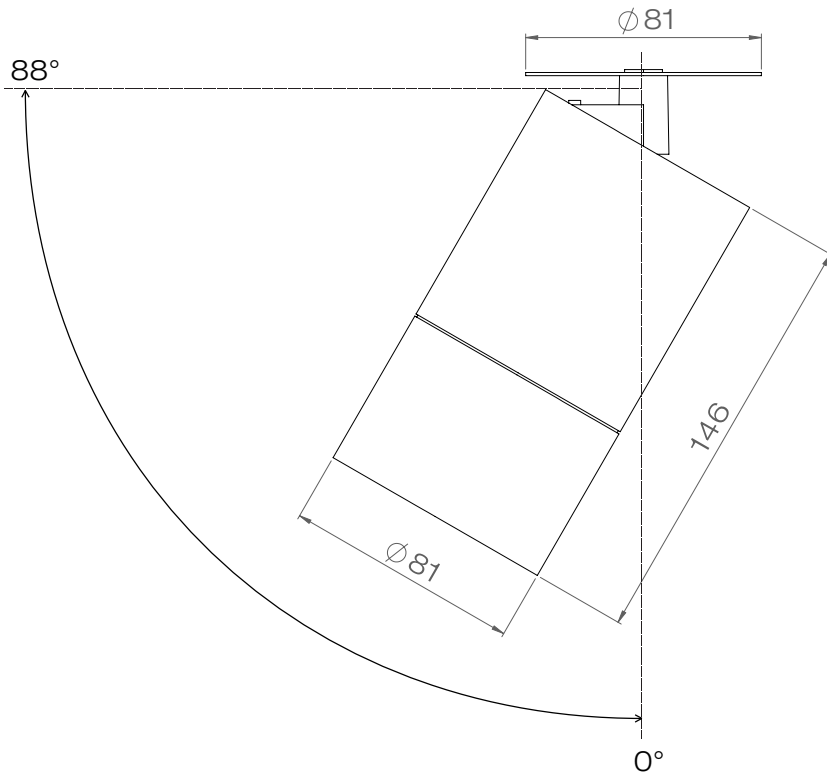
SARL, Capital 40 000€
RCS DIJON B 503 367 245
TVA/VAT n°: FR24 503 367 245
APE 4676Z

Tel. : +33 380 48 65 68
contact@louss.fr
www.louss.fr
Best group

Siège social / Head Office
PA Les Terres d'Or
Route de Saint Philibert
21220 Gevrey Chambertin - FRANCE



AURORE D82 ON-PLATE



All the connections have to be made before powering up,
otherwise the luminaires could be seriously damaged

LOUSS

Last update: 2025/06/13

5/5

Firalux & LOUSS brands

SARL, Capital 40 000€
RCS DIJON B 503 367 245
TVA/VAT n°: FR24 503 367 245
APE 4676Z

Tel. : +33 380 48 65 68
contact@louss.fr
www.louss.fr
Best group

Siège social / Head Office
PA Les Terres d'Or
Route de Saint Philibert
21220 Gevrey Chambertin - FRANCE