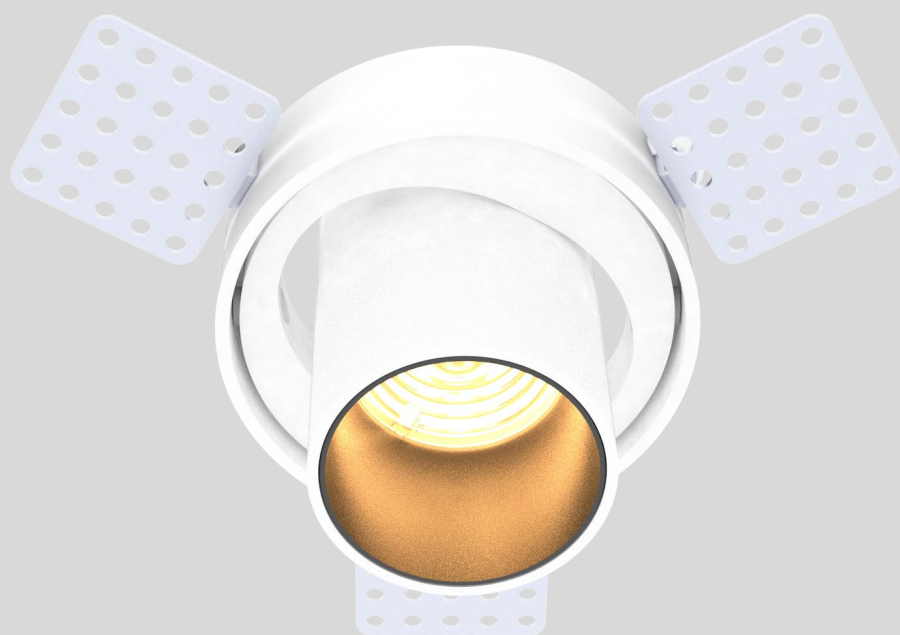


Wouss

Firalux

AURORE RECESSED



Index



Aurore D22
3



Aurore D22 On-Plate
10



Aurore D40
15



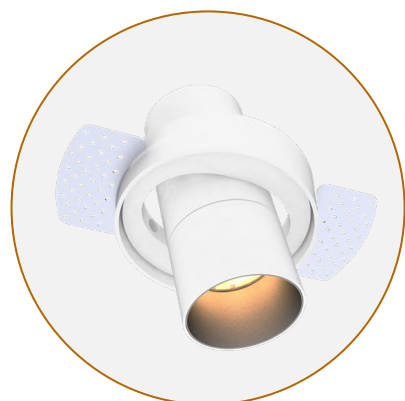
Aurore D42
24



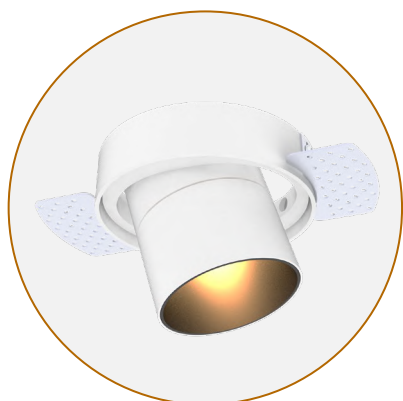
Aurore D52
31



Aurore D55
41



Aurore D60
48



Aurore D75
54



Aurore D82
60



Trim



Trim Flush



Trim Short



Trimless



Trimless Flush

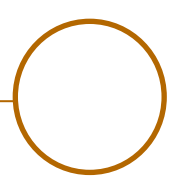


Trimless Short



Trimless Pivot

AURORE D22 RECESSED





Trim



Trim Flush



Trim Short



Trimless



Trimless Flush



Trimless Short



Trimless Pivot

AURORE D22 RECESSED

Range	Highly adjustable recessed ceiling downlights for general & accent lighting	
Description	Low luminance Rotation 360° Trim, Trim Short, Trimless & Trimless Short : Adjustable tilt 30° Trim Flush & Trimless Flush : Adjustable tilt 20° Trimless Pivot : Adjustable tilt 90°	
Finish	Black RAL 9005 matt finish White RAL 9003 matt finish (other upon request)	
Dimensions & installation	Trim & Trim Flush	Trimless & Trimless Flush
	Spotlight diameter : 22mm Installation diameter : 44.5mm Product height : 51mm (no specific tool required)	Spotlight diameter : 22mm Installation diameter : 44.5mm Product height : 50mm (Trimless) 53.5mm (Trimless Flush)
	Trim Short	Trimless Short
	Spotlight diameter : 22mm Installation diameter : 44.5mm Product height : 51mm (no specific tool required)	Spotlight diameter : 22mm Installation diameter : 44.5mm Product height : 36.7mm
		Trimless Pivot
	Spotlight diameter : 22mm Installation diameter : 44.5mm Spotlight length : 51mm Product height : 67mm Net weight : 0.106 kg	
Weight	± 0.06 kg according to version	
LED characteristics	2000K – 2200K – 2700K – 3000K – 3500K – 4000K – 4500K (other upon request) Mix of 2 color temperatures MacAdam Ellipse : 3 SDCM CRI : 90 – 95 – 98	

All the connections have to be made before powering up,
otherwise the luminaires could be seriously damaged



Trim



Trim Flush



Trim Short



Trimless



Trimless Flush



Trimless Short



Trimless Pivot

AURORE D22 RECESSED

Optical beams	11° - 15° - 19° - 24° - 30° - 35° - 40° - 12°x70° - 14°x38° - 22°x35° UGR < 15			
Accessories	Frosted filter (optional)			
Photometry	Reference	Beam	Lumen	Candela
3000K - CRI 90	2536B	11°	166	3,616
	2537B	35°	150	451
	2535B	12°x70°	133	519
	2534B	14°x38°	162	812
	2539B	22°x35°	99	356
3500K - CRI 90	2536A	11°	174	3,805
	2211B	19°	148	1,001
	2538A	24°	168	1,022
	2537A	35°	158	475
Connection	Supplied with 0.50m cable			
Power supply	900mA max. remote constant current driver Dimmable driver upon request			
Power	Trim • Trim Flush Trimless • Trimless Flush • Trimless Pivot		Trim Short • Trimless Short	
	3W at 900mA max		2W at 700mA max	
Use limitations	<p>The product must be installed into a ventilated area.</p> <p>This product must not be covered with insulating material</p> <p>Any use with an ambient temperature higher than the specified ambient temperature (Ta) would lead to a more rapid mortality of the product and the withdrawal of our guarantees</p> <p>The drivers, if not delivered by LOuss, must be approved before use</p>			
Warranty	<p>Life span: L80-B10 = 35,000 hours (80% remaining flux) at 30°C ambient temperature</p> <p>The warranty applies to components and fabrication supplied by LOuss. The warranty does not apply to products that have been opened, modified or repaired and does not cover the effects of a wrong connection, careless, abusive handling, overvoltage, lighting injury, as well as the normal wear of the product. All products are electrically tested and receive a functional burn-in</p>			

All the connections have to be made before powering up,
otherwise the luminaires could be seriously damaged

LOuss

Creation : 2023.02.22 / Last update : 2026.05.05 - R

3/7

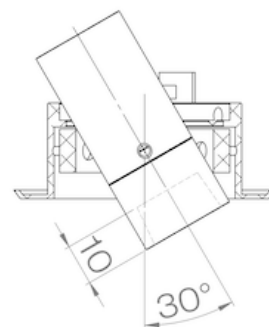
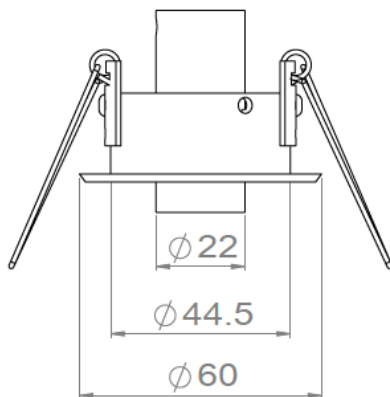
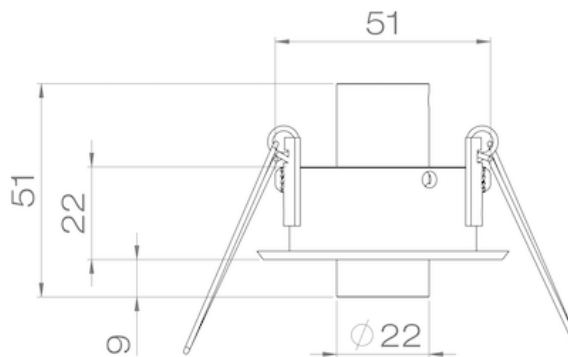
BEST SAS, Capital 200 000€
RCS Dijon B 408 483 485
TVA/VAT n° : FR94 408 483 485
APE 2612Z

Tel. : +33 380 48 65 68
contact@louss.fr
www.louss.fr
Best & LOuss

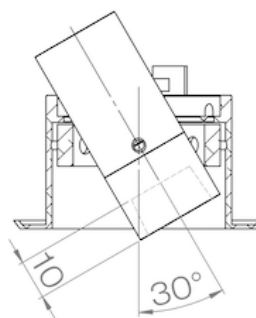
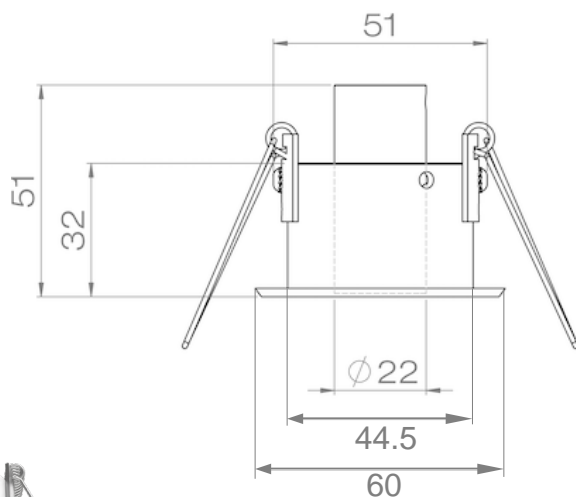
Siège social / Head Office
PA Les Terres d'Or
Route de Saint Philibert
21220 Gevrey Chambertin - FRANCE



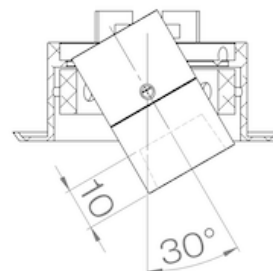
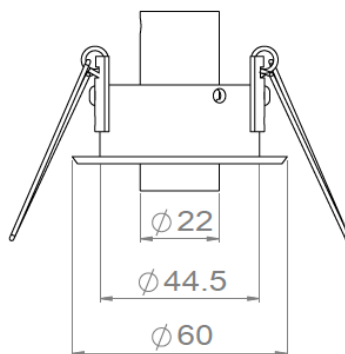
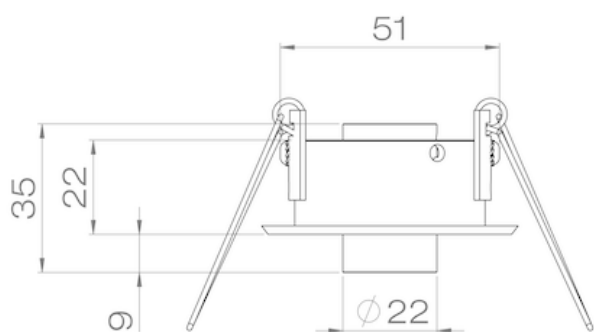
AURORE D22 TRIM



AURORE D22 TRIM FLUSH



AURORE D22 TRIM SHORT



All the connections have to be made before powering up,
otherwise the luminaires could be seriously damaged

louss

Creation : 2023.02.22 / Last update : 2026.05.05 - R

4/7

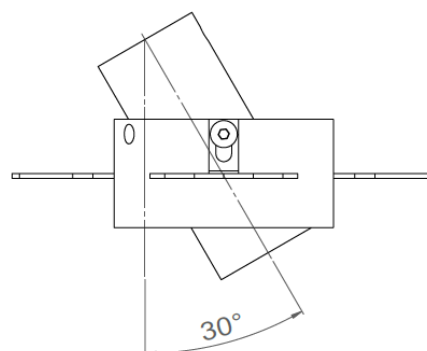
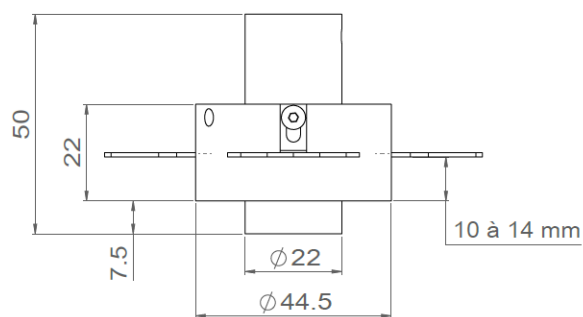
BEST SAS, Capital 200 000€
RCS Dijon B 408 483 485
TVA/VAT n° : FR94 408 483 485
APE 2612Z

Tel. : +33 380 48 65 68
contact@louss.fr
www.louss.fr
Best & LOUSS

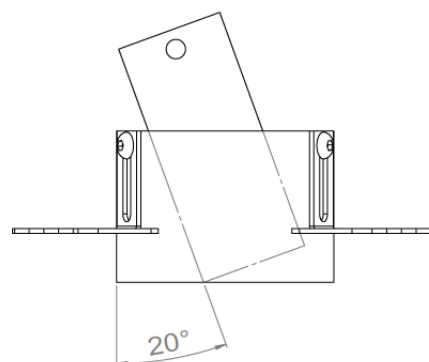
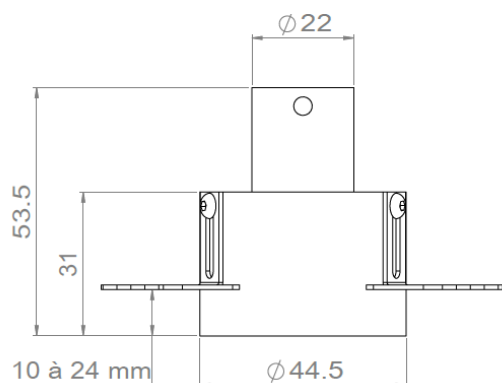
Siège social / Head Office
PA Les Terres d'Or
Route de Saint Philibert
21220 Gevrey Chambertin - FRANCE



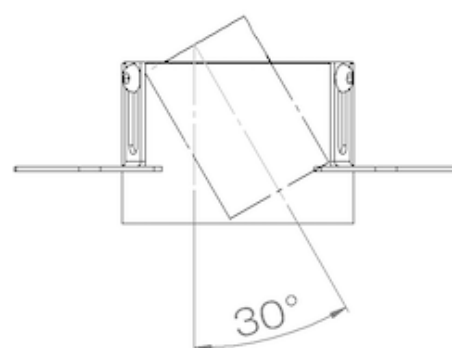
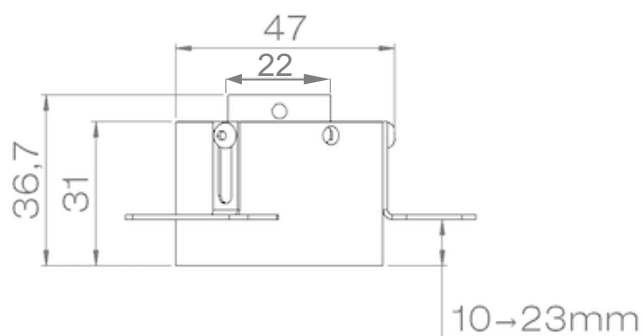
AURORE D22 TRIMLESS



AURORE D22 TRIMLESS FLUSH



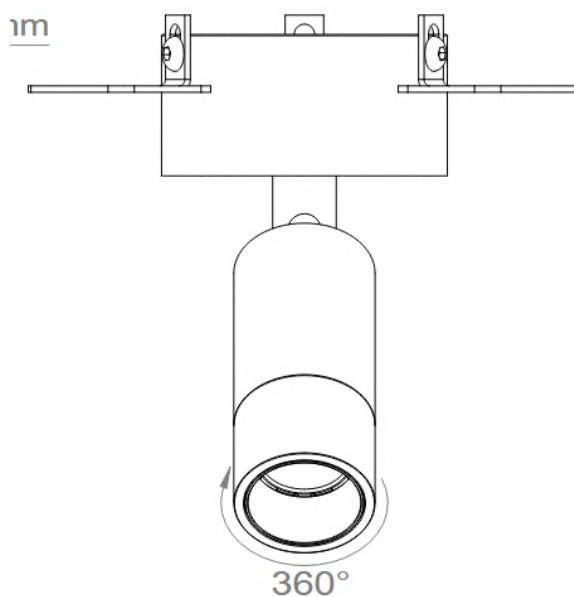
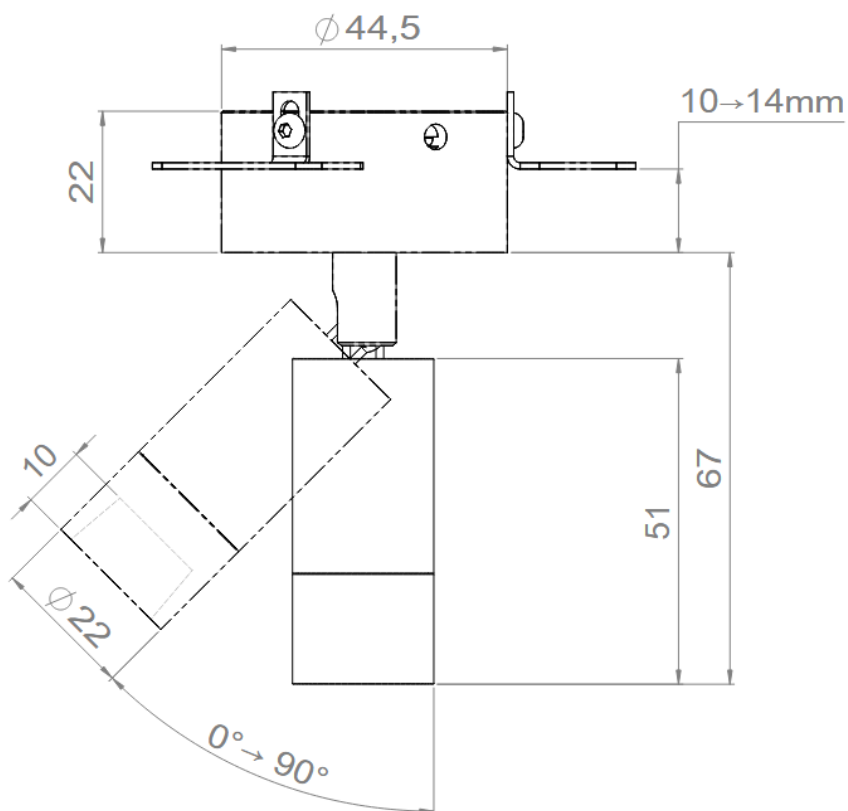
AURORE D22 TRIMLESS SHORT



All the connections have to be made before powering up,
otherwise the luminaires could be seriously damaged



AURORE D22 TRIMLESS PIVOT



All the connections have to be made before powering up,
otherwise the luminaires could be seriously damaged

LOUSS

Creation : 2023.02.22 / Last update : 2026.05.05 - R

6/7

BEST SAS, Capital 200 000€
RCS Dijon B 408 483 485
TVA/VAT n° : FR94 408 483 485
APE 2612Z

Tel. : +33 380 48 65 68
contact@louss.fr
www.louss.fr
Best & LOUSS

Siège social / Head Office
PA Les Terres d'Or
Route de Saint Philibert
21220 Gevrey Chambertin - FRANCE



Trimless



Trimless Flush

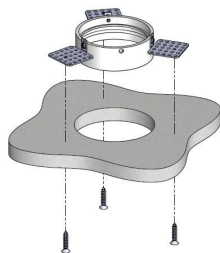


Trimless Short

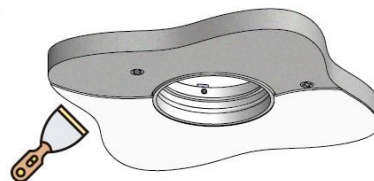


Trimless Pivot

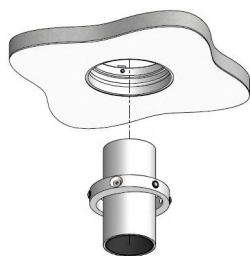
Installation from above



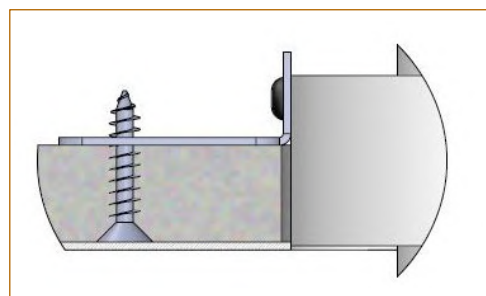
Install the recessed box from above and screw it onto the surface



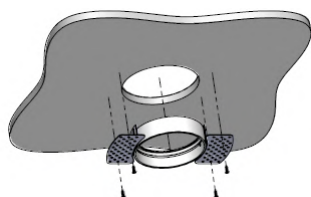
Cover the lateral plates of the recessed box by coating and painting



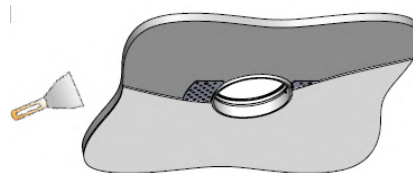
Insert the spotlight from below



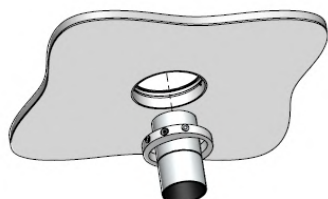
Installation from below



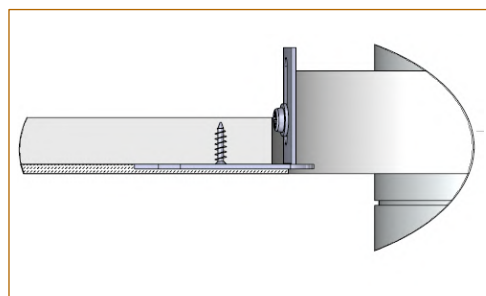
Install the recessed box from below and screw it onto the surface



Cover the lateral plates of the recessed box by coating and painting



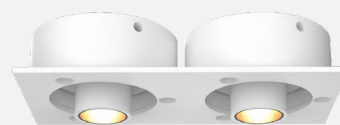
Insert the spotlight from below



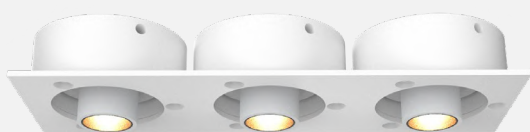
All the connections have to be made before powering up,
otherwise the luminaires could be seriously damaged



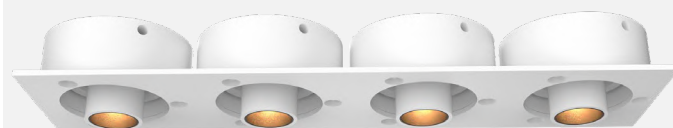
Aurore D22 Solo



Aurore D22 Duo



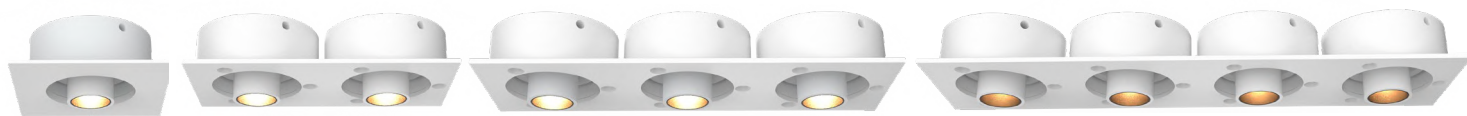
Aurore D22 Trio



Aurore D22 Quattro



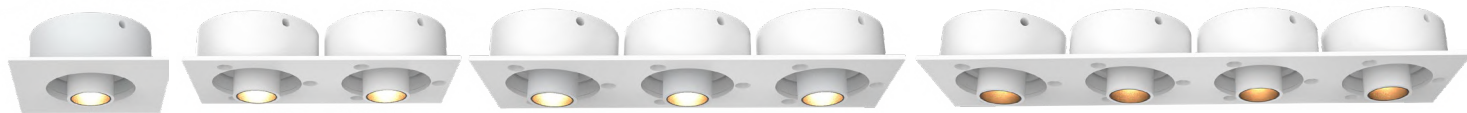
AURORE D22 ON PLATE



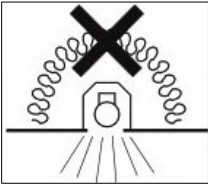
AURORE D22 • SOLO • DUO • TRIO • QUATTRO

Range	Highly adjustable recessed ceiling downlights on plate for general & accent lighting			
Description	1 low luminance LED spot on a metal plate or a cluster of 2, 3 or 4 low luminance LED spots on metal plate Rotation 360° - Adjustable tilt 30°			
Finish	Black RAL 9005 matt finish - White RAL 9003 matt finish (other upon request)			
Dimensions	Spotlight		Metal plate	
	Diameter : 22mm Height : 34.7mm (with metal plate) Center distance between 2 spots : 60mm		Solo : 60x60mm	Duo : 120x60mm
Net weight	Trio : 180x60mm Quattro : 240x60mm			
LED characteristics	Solo : 0.480 kg Duo : 0.360 kg Trio : 0.240 kg Quattro : 0.120 kg			
LED characteristics	2200K - 2700K - 3000K - 3500K - 4000K - 5000K (other upon request) MacAdam ellipse : 3 SDCM (standard) CRI : 90 - 95 - 98 UGR < 15			
Optical beams	11° - 19° - 24° - 35° - 12°x70° - 14°x38° - 22°x35°			
Photometry/spotlight	Reference	Beam	Lumen	Candela
3000K - CRI 90 R9 > 80	2536B	11°	166	3,616
	2537B	35°	150	451
	2535B	12°x70°	133	519
	2534B	14°x38°	162	812
	2539B	22°x35°	99	356
3500K - CRI 90 R9 > 80	2536A	11°	174	3,805
	2211B	19°	148	1,001
	2538A	24°	168	1,022
	2537A	35°	158	475
Power	Solo : 2W at 700mA max Duo : 4W at 700mA max Trio : 6W at 700mA max Quattro : 8W at 700mA max			
Power supply	Remote constant current driver 700mA max Dimmable driver upon request			

All the connections have to be made before powering up,
otherwise the luminaires could be seriously damaged



AURORE D22 • SOLO • DUO • TRIO • QUATTRO

<p>Use limitations</p> 	<p>The product must be installed into a ventilated area</p> <p>This product must not be covered with insulating material</p> <p>Any use with an ambient temperature higher than the specified ambient temperature (T_a) would lead to a more rapid mortality of the product and the withdrawal of our guarantees</p> <p>The drivers, if not delivered by LOuss, must be approved before use</p>
<p>Warranty</p>	<p>Life span: L80-B10 = 35,000 hours (80% remaining flux) at 30°C ambient temperature</p> <p>The warranty applies to components and fabrication supplied by Louss</p> <p>The warranty does not apply to products that have been opened, modified or repaired and does not cover the effects of a wrong connection, careless, abusive handling, overvoltage, lighting injury, as well as the normal wear of the product</p> <p>All products are electrically tested and receive a functional burn-in</p>

All the connections have to be made before powering up,
otherwise the luminaires could be seriously damaged

LOuss

Creation : 2025.03.27 / Last update: 2025.06.04 - R

3/5

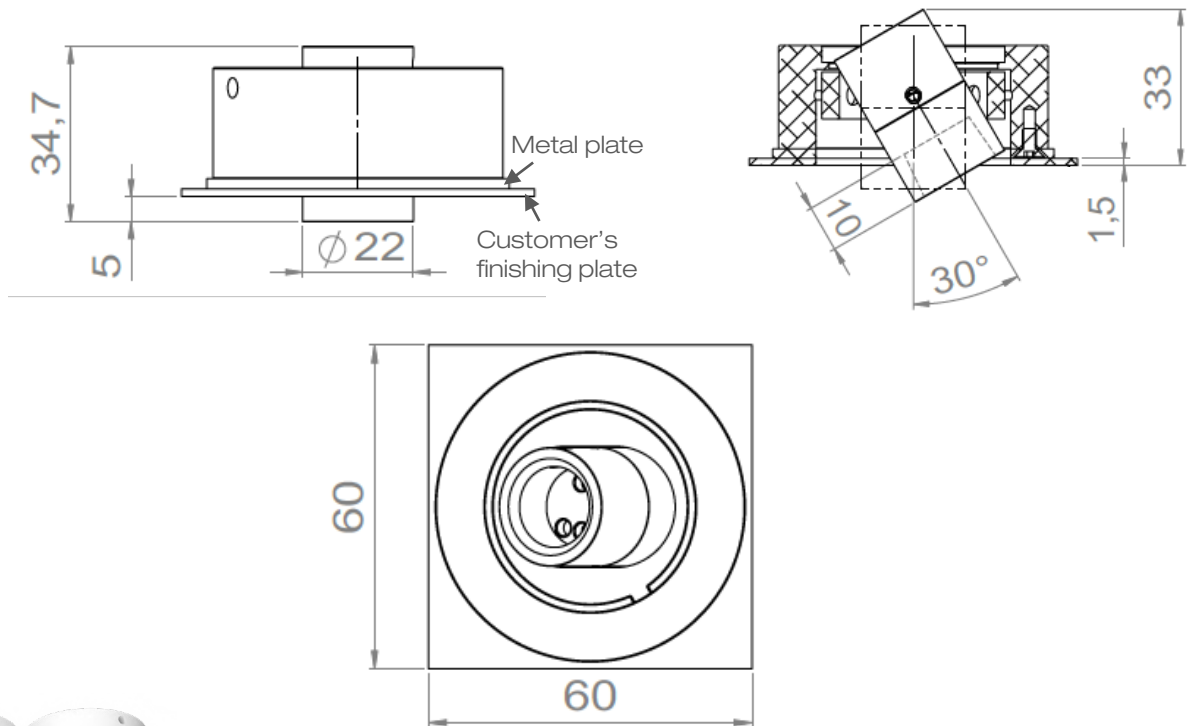
BEST SAS, Capital 200 000€
RCS Dijon B 408 483 485
TVA/VAT n° : FR94 408 483 485
APE 2612Z

Tel. : +33 380 48 65 68
contact@louss.fr
www.louss.fr
Best & LOuss

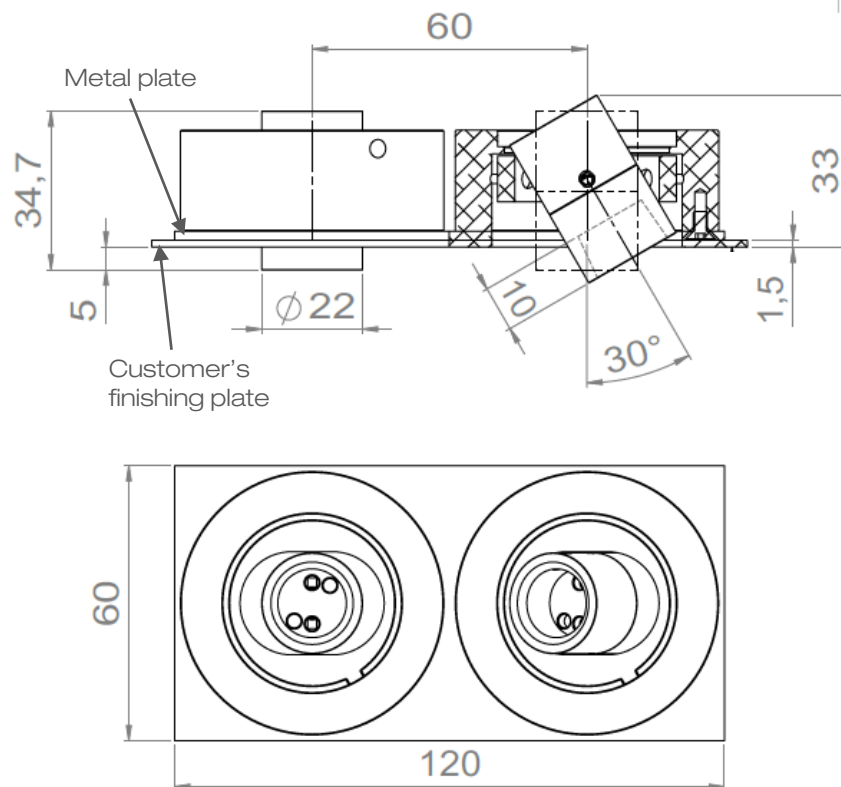
Siège social / Head Office
PA Les Terres d'Or
Route de Saint Philibert
21220 Gevrey Chambertin - FRANCE



AURORE D22 SOLO



AURORE D22 DUO



All the connections have to be made before powering up,
otherwise the luminaires could be seriously damaged

LOUSS

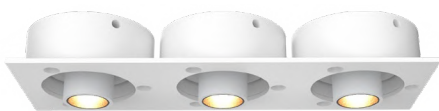
Creation : 2025.03.27 / Last update: 2025.06.04 - R

4/5

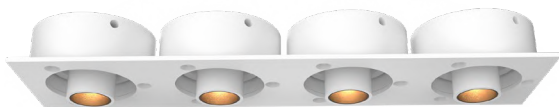
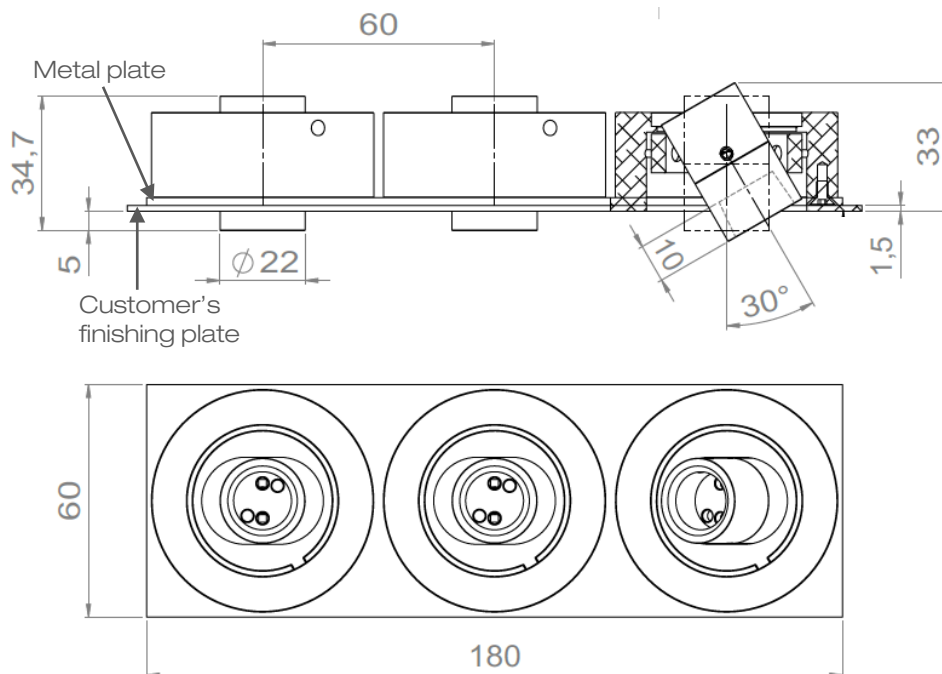
BEST SAS, Capital 200 000€
RCS Dijon B 408 483 485
TVA/VAT n° : FR94 408 483 485
APE 2612Z

Tel. : +33 380 48 65 68
contact@louss.fr
www.louss.fr
Best & LOUSS

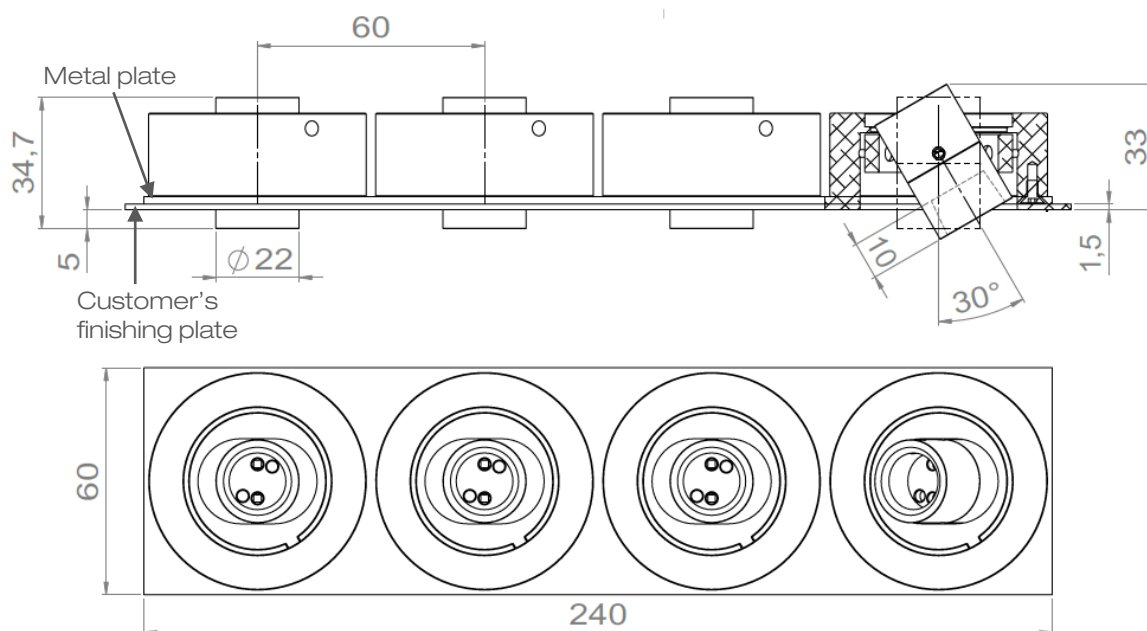
Siège social / Head Office
PA Les Terres d'Or
Route de Saint Philibert
21220 Gevrey Chambertin - FRANCE



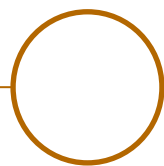
AURORE D22 TRIO



AURORE D22 QUATTRO



All the connections have to be made before powering up,
otherwise the luminaires could be seriously damaged



AURORE D40 RECESSED



Range	Highly adjustable recessed ceiling downlights for general & accent lighting		
Description	<p>Low luminance Rotation 360°</p> <p>Trim, Recessed On-plate, Trimless & Trimless Magnetic : Adjustable tilt 30° Trim Flush & Trimless Flush : Adjustable tilt 20°</p> <p>Optional : Easily changeable LED, optics and accessories on site, without any tool, with integrated Easy Swap system (see page 9)</p>		
Finish	<p>White RAL 9003 matt finish Black RAL 9005 matt finish (other upon request)</p>		
Dimensions	Trim	Trim Flush	Recessed On-plate
	<p>Spotlight diameter : 40mm External diameter : 83.5mm Installation diameter : 67.5mm Installation depth : 46mm</p>	<p>Spotlight diameter : 40mm External diameter : 93.5mm Installation diameter : 77.5mm Installation depth : 78mm</p>	<p>Spotlight diameter : 40mm External diameter : 60mm Installation diameter : 52mm Installation depth : 31mm</p>
Dimensions	Trimless	Trimless Flush	Trimless Magnetic
	<p>Spotlight diameter : 40mm External diameter : 40mm Installation diameter : 67.5mm Installation depth : 48mm</p>	<p>Spotlight diameter : 40mm External diameter : 40mm Installation diameter : 77.5mm Installation depth : 80mm</p>	<p>Spotlight diameter : 40mm External diameter : 40mm Installation diameter : 67.5mm Installation depth : 48mm</p>
Weight	± 0.15 kg according to version		
LED characteristics	<p>2700K - 3000K - 3500K - 4000K - 5000K (other upon request) MacAdam Ellipse : 3 SDCM CRI90 (standard version) - IRC95, R9 > 80</p>		
Optical beams	<p>6° - 10° - 15° - 20° - 25° - 30° - 35° - 40° - 55° - 60° - Elliptical UGR < 15</p>		
Accessories	Filters, honeycomb grids upon request		
Luminous flux	300 to 800 lumen according to version		
Connection	Supplied with 0.5m cable		
Power supply	Remote constant current driver 350mA to 700mA according to version Dimmable driver upon request		
Power	4W to 10 W according to version		

All the connections have to be made before powering up,
otherwise the luminaires could be seriously damaged

Creation : 2022.01.26 / Last update : 2026.05.05

LOUSS



Recessed On-plate

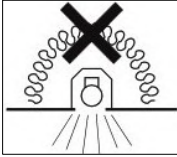
Trim

Trim Flush

Trimless

Trimless Flush

Trimless Magnetic

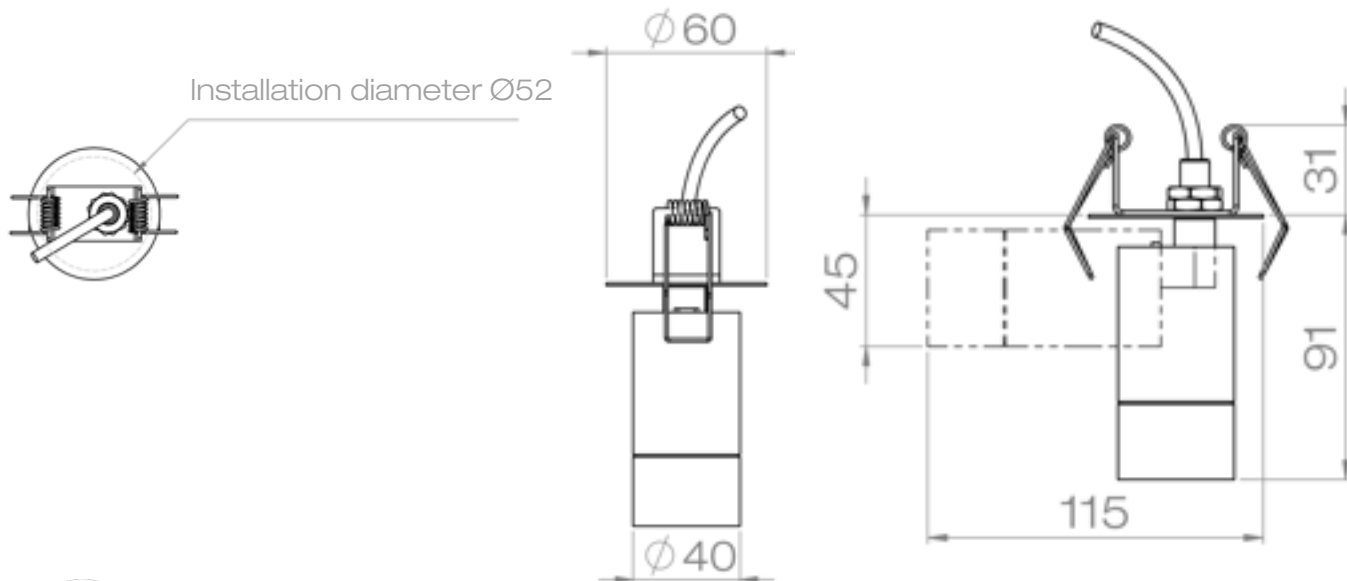
<p>Use limitations</p> 	<p>The product must be installed into a ventilated area</p> <p>This product must not be covered with insulating material</p> <p>Any use with an ambient temperature higher than the specified ambient temperature (Ta) would lead to a more rapid mortality of the product and the withdrawal of our guarantees</p> <p>The drivers, if not delivered by LOuss, must be approved before use</p>
<p>Warranty</p>	<p>Life span: L80-B10 = 35,000 hours (80% remaining flux) at 30°C ambient temperature</p> <p>The warranty applies to components and fabrication supplied by LOuss</p> <p>The warranty does not apply to products that have been opened, modified or repaired and does not cover the effects of a wrong connection, careless, abusive handling, overvoltage, lighting injury, as well as the normal wear of the product</p> <p>All products are electrically tested and receive a functional burn-in</p>

All the connections have to be made before powering up, otherwise the luminaires could be seriously damaged

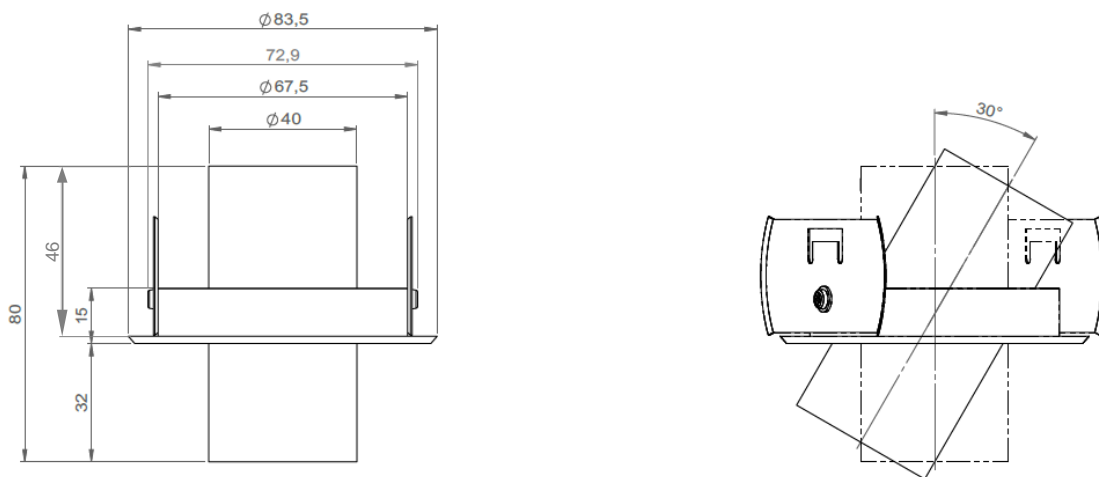
Creation : 2022.01.26 / Last update : 2026.05.05



AURORE D40 RECESSED ON-PLATE



AURORE D40 TRIM

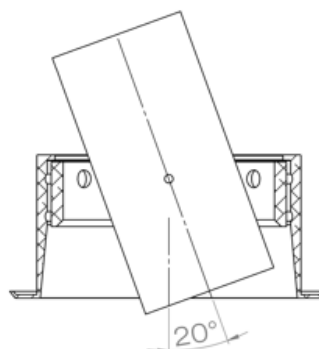
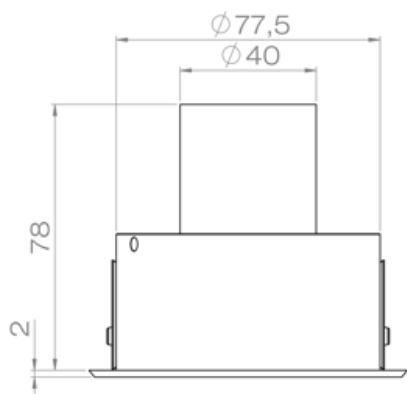


All the connections have to be made before powering up, otherwise the luminaires could be seriously damaged

Creation : 2022.01.26 / Last update : 2026.05.05

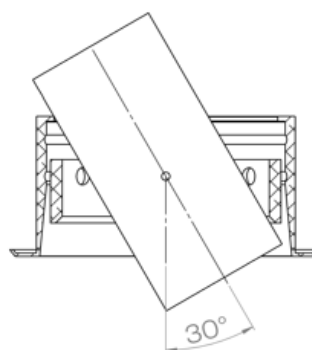
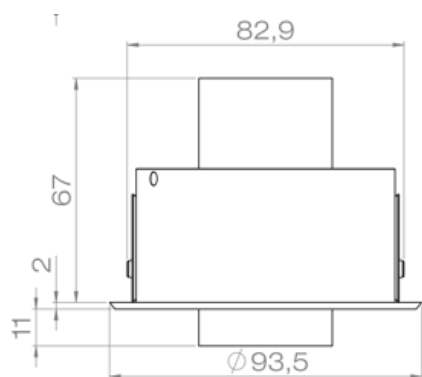


AURORE D40 TRIM FLUSH



Upper position

Insert the luminaire into the **upper position** of the recessed frame to obtain a **flush** luminaire



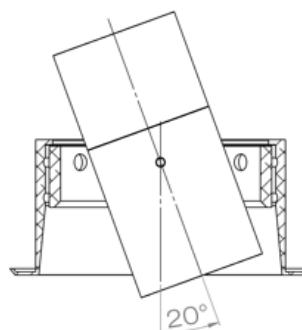
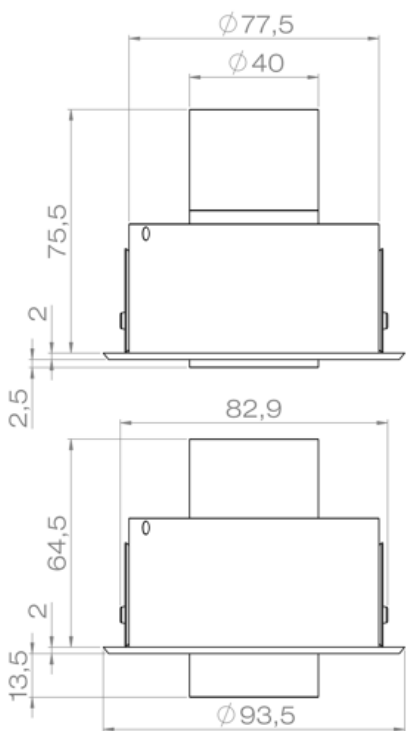
Low position

To obtain **30° orientation** angle, insert the luminaire in the **lowest position**

WARNING :
in this position, the spotlight cannot flush with the ceiling

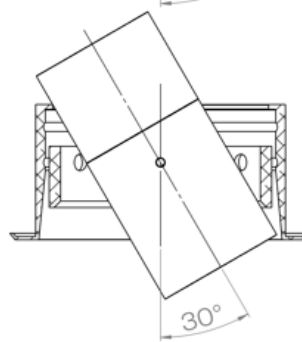
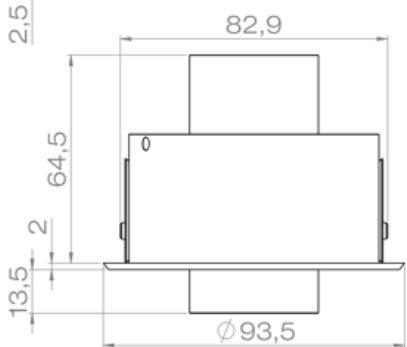


AURORE D40 TRIM FLUSH EASY SWAP



Upper position

Insert the luminaire into the **upper position** of the recessed frame to obtain a **flush** luminaire



Low position

To obtain **30° orientation** angle, insert the luminaire in the **lowest position**

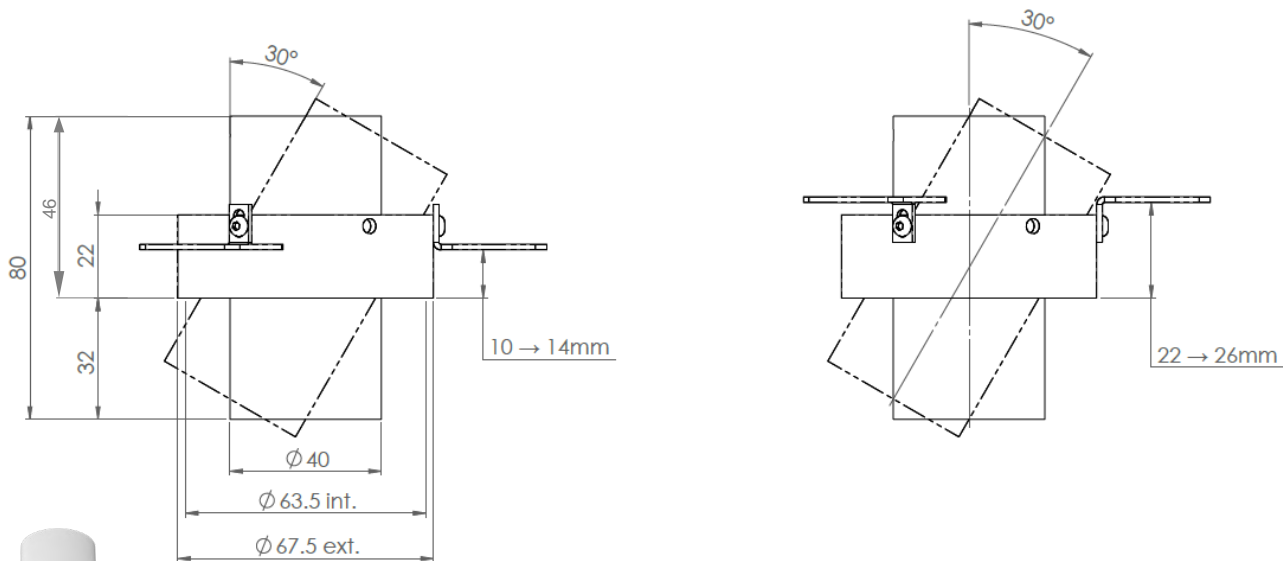
WARNING :
in this position, the spotlight cannot flush with the ceiling

All the connections have to be made before powering up, otherwise the luminaires could be seriously damaged

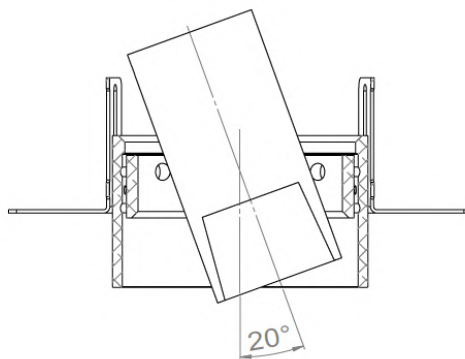
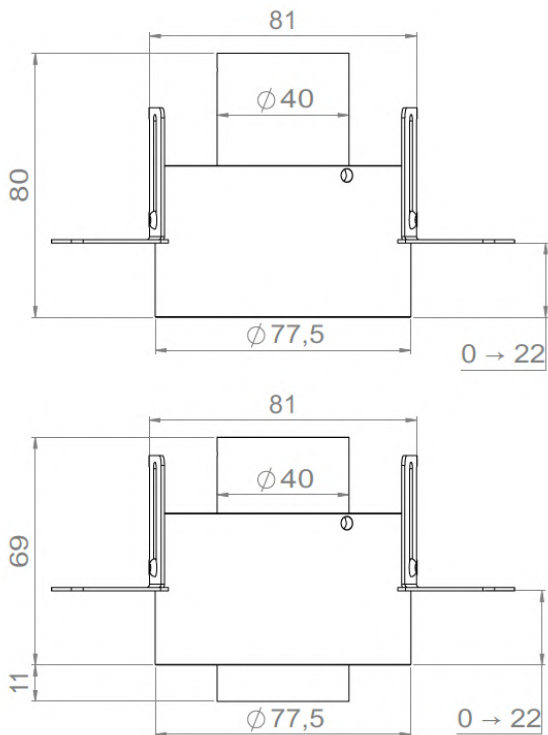
Creation : 2022.01.26 / Last update : 2026.05.05



AURORE D40 TRIMLESS & TRIMLESS EASY SWAP

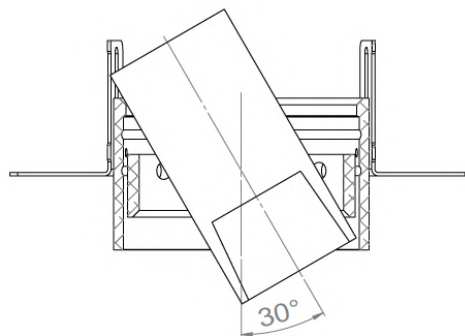


AURORE D40 TRIMLESS FLUSH



Upper position

Insert the luminaire into the upper position of the recessed frame to obtain a flush luminaire



Low position

To obtain 30° orientation angle, insert the luminaire in the lowest position

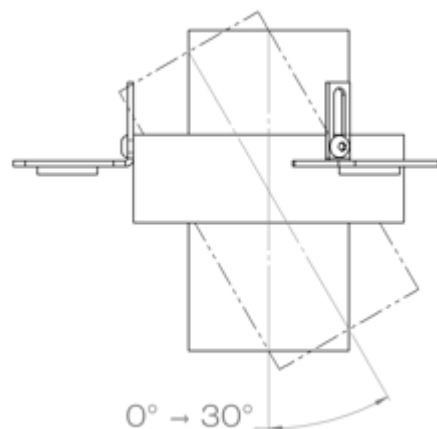
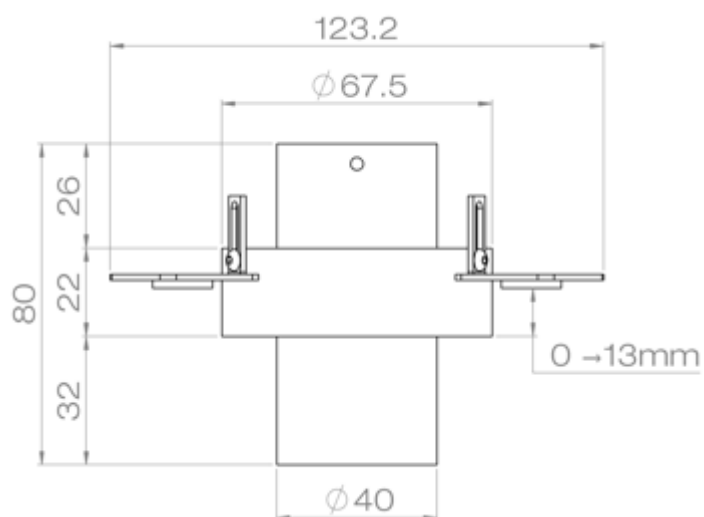
WARNING :
in this position, the spotlight cannot flush with the ceiling

All the connections have to be made before powering up, otherwise the luminaires could be seriously damaged

Creation : 2022.01.26 / Last update : 2026.05.05



AURORE D40 TRIMLESS MAGNETIC



All the connections have to be made before powering up,
 otherwise the luminaires could be seriously damaged

Creation : 2022.01.26 / Last update : 2026.05.05

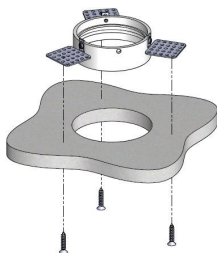
LOUSS

7/9

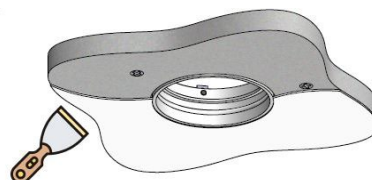


AURORE D40 • Trimless • Trimless Flush • Trimless Magnetic

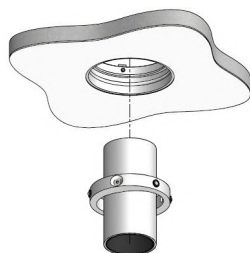
Installation from above



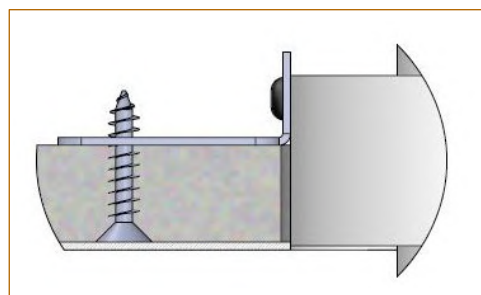
Install the recessed frame from above and screw it into the surface



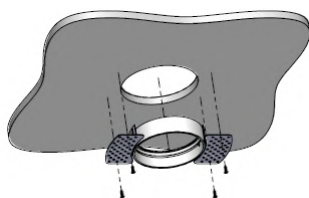
Cover the lateral plates of the recessed frame by coating and painting



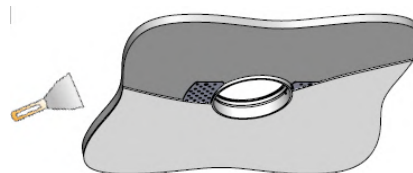
Insert the spotlight from below



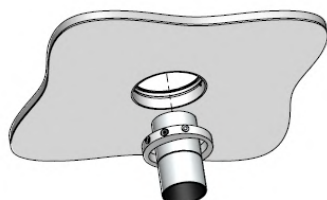
Installation from below



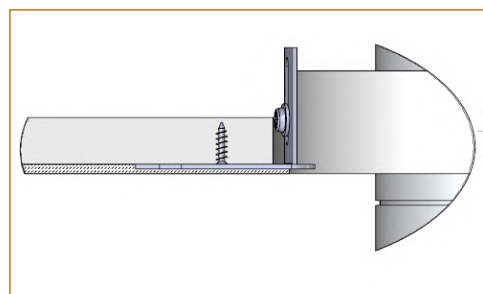
Install the recessed frame from below and screw it into the surface



Cover the lateral plates of the recessed frame by coating and painting



Insert the spotlight from below



All the connections have to be made before powering up, otherwise the luminaires could be seriously damaged

Creation : 2022.01.26 / Last update : 2026.05.05

LOUSS

BEST SAS, Capital 200 000€
RCS Dijon B 408 483 485
TVA/VAT n° : FR94 408 483 485
APE 2612Z

Tel. : +33 380 48 65 68
contact@louss.fr
www.louss.fr
Best & LOUSS

Siège social / Head Office
PA Les Terres d'Or
Route de Saint Philibert
21220 Gevrey Chambertin - FRANCE



Recessed On-plate

Trim

Trim Flush

Trimless

Trimless Flush

Trimless Magnetic

Easy Swap system



Recessed frame (according to version)

LED / COB

Luminaire's body

Optics

Accessories (filters, honeycomb grid)

Insert

All the connections have to be made before powering up, otherwise the luminaires could be seriously damaged

Creation : 2022.01.26 / Last update : 2026.05.05



AURORE D42 RECESSED



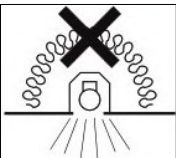
AURORE D42 • Trim • Trim Flush • Trimless • Trimless Flush

Range	Highly adjustable recessed ceiling downlights for general & accent lighting	
Description	<p>Low luminance Rotation 360° Trim & Trimless : Adjustable tilt 30° Trim Flush & Trimless Flush : Adjustable tilt 20° Easily changeable LED, optics and accessories on-site without any tool, with integrated Permuto Easy Swap system (see page 7)</p>	
Finish	<p>White RAL 9003 matt finish Black RAL 9005 matt finish (other upon request)</p>	
Dimensions	Trim	Trim Flush
	Spotlight diameter : 42mm External diameter : 83.5mm Installation diameter : 67.5mm Installation depth : 46mm	Spotlight diameter : 42mm External diameter : 93.5mm Installation diameter : 77.5mm Installation depth : 78mm
	Trimless	Trimless Flush
	Spotlight diameter : 42mm External diameter : 67.5mm Installation diameter : 67.5mm Installation depth : 48mm	Spotlight diameter : 42mm External diameter : 77.5mm Installation diameter : 77.5mm Installation depth : 80mm
Weight	± 0.15 kg according to version	
LED characteristics	<p>2700K - 3000K - 3500K - 4000K - 5000K (other upon request) MacAdam ellipse : 3 SDCM IRC90 (standard version) - IRC95, R9 > 80</p>	
Optics	<p>6° - 10° - 15° - 20° - 25° - 30° - 35° - 40° - 55° - 60° - Elliptical UGR < 15</p>	
Accessories	Filter, honeycomb grids upon request	
Luminous flux	300 to 800 lumen according to version	
Connection	Supplied with 0.5m cable	
Power supply	<p>Remote constant current driver 700mA max. according to version Dimmable driver upon request</p>	
Power	4W to 10W according to version	

All the connections have to be made before powering up,
 otherwise the luminaires could be seriously damaged



AURORE D42 • Trim • Trim Flush • Trimless • Trimless Flush

<p>Use limitations</p> 	<p>The product must be installed into a ventilated area</p> <p>This product must not be covered with insulating material</p> <p>Any use with an ambient temperature higher than the specified ambient temperature (Ta) would lead to a more rapid mortality of the product and the withdrawal of our guarantees</p> <p>The drivers, if not delivered by LOuss, must be approved before use</p>
<p>Warranty</p>	<p>Life span: L80-B10 = 35,000 hours (80% remaining flux) at 30°C ambient temperature</p> <p>The warranty applies to components and fabrication supplied by Louss</p> <p>The warranty does not apply to products that have been opened, modified or repaired and does not cover the effects of a wrong connection, careless, abusive handling, overvoltage, lighting injury, as well as the normal wear of the product</p> <p>All products are electrically tested and receive a functional burn-in</p>

All the connections have to be made before powering up,
otherwise the luminaires could be seriously damaged

Last update : 2026.05.05

3/7

LOuss

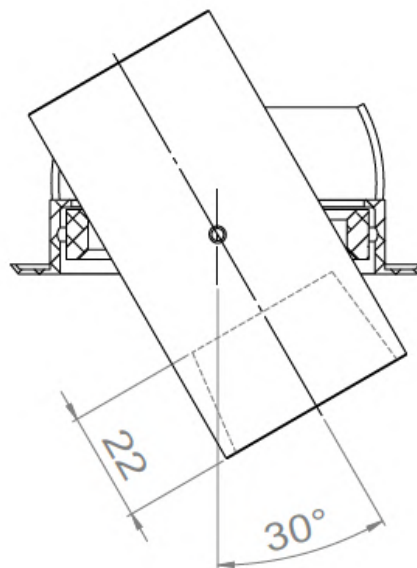
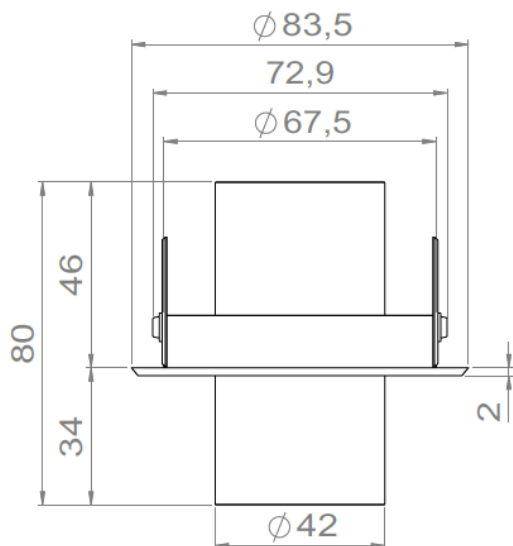
BEST SAS, Capital 200 000€
RCS Dijon B 408 483 485
TVA/VAT n° : FR94 408 483 485
APE 2612Z

Tel. : +33 380 48 65 68
contact@louss.fr
www.louss.fr
Best & LOuss

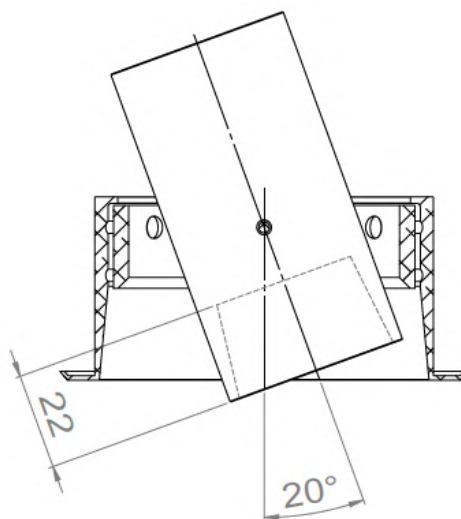
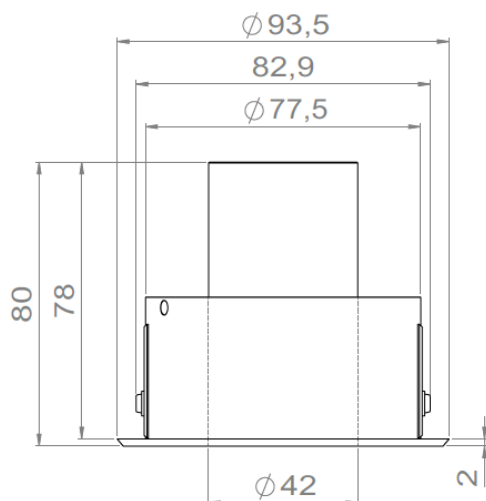
Siège social / Head Office
PA Les Terres d'Or
Route de Saint Philibert
21220 Gevrey Chambertin - FRANCE



AURORE D42 TRIM



AURORE D42 TRIM FLUSH



All the connections have to be made before powering up,
otherwise the luminaires could be seriously damaged

Last update : 2026.05.05

4/7

LOUSS

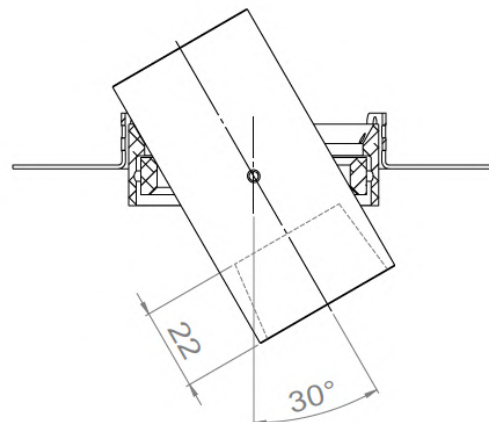
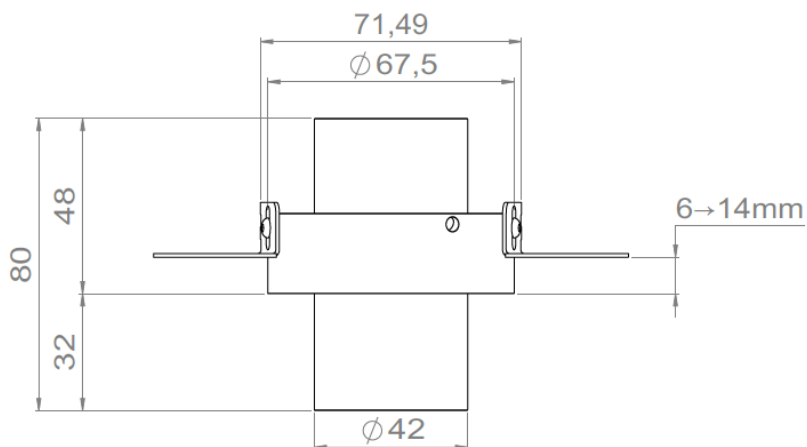
BEST SAS, Capital 200 000€
RCS Dijon B 408 483 485
TVA/VAT n° : FR94 408 483 485
APE 2612Z

Tel. : +33 380 48 65 68
contact@louss.fr
www.louss.fr
Best & LOUSS

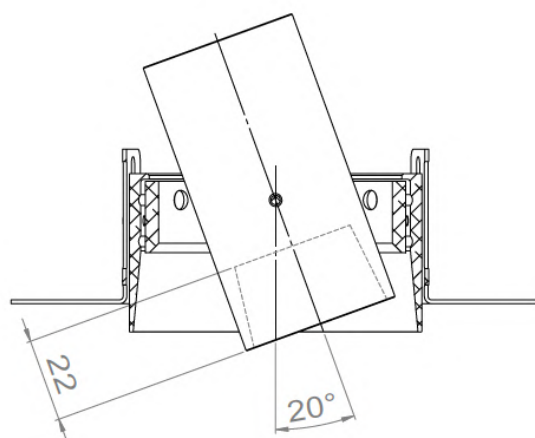
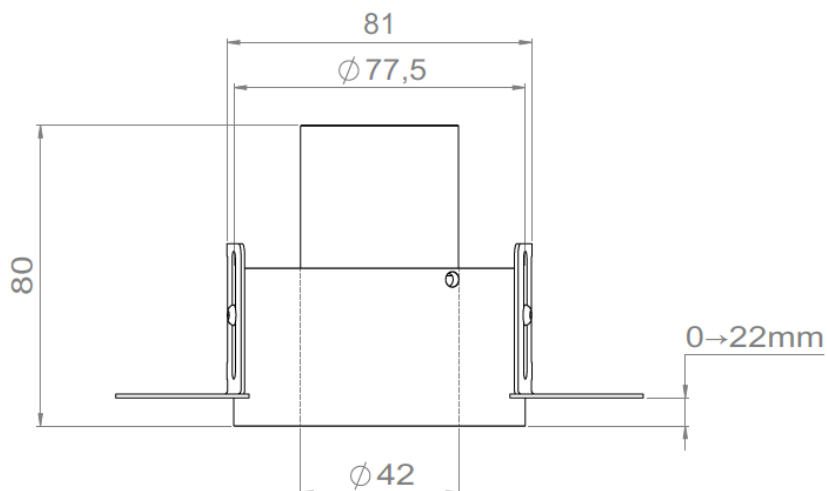
Siège social / Head Office
PA Les Terres d'Or
Route de Saint Philibert
21220 Gevrey Chambertin - FRANCE



AURORE D42 TRIMLESS



AURORE D42 TRIMLESS FLUSH



All the connections have to be made before powering up,
otherwise the luminaires could be seriously damaged

LOUSS

Last update : 2026.05.05

5/7

BEST SAS, Capital 200 000€
RCS Dijon B 408 483 485
TVA/VAT n° : FR94 408 483 485
APE 2612Z

Tel. : +33 380 48 65 68
contact@louss.fr
www.louss.fr
Best & LOUSS

Siège social / Head Office
PA Les Terres d'Or
Route de Saint Philibert
21220 Gevrey Chambertin - FRANCE

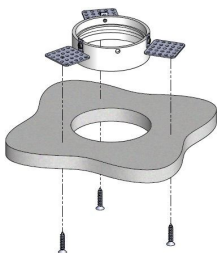


AURORE D42

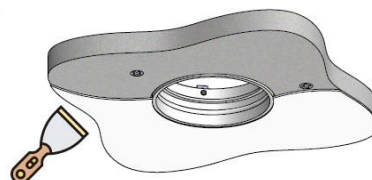
Trimless

Trimless Flush

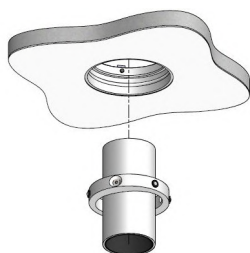
Installation from above



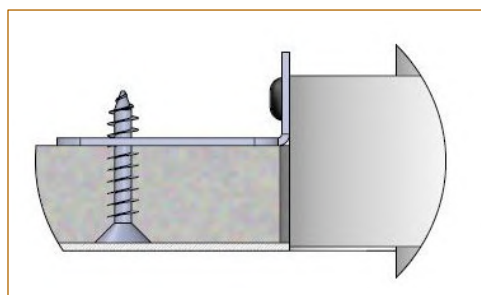
Install the recessed frame from above and screw it into the surface



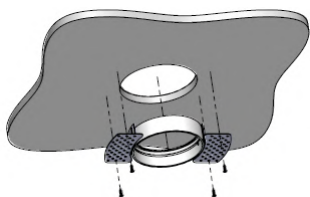
Cover the lateral plates of the recessed frame by coating and painting



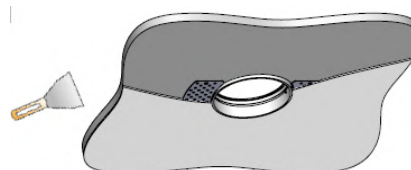
Insert the spotlight from below



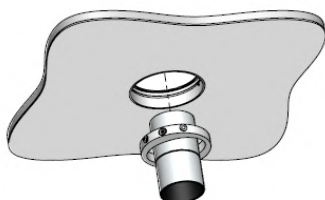
Installation from below



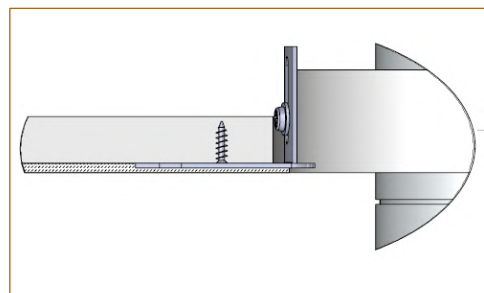
Install the recessed frame from below and screw it into the surface



Cover the lateral plates of the recessed frame by coating and painting



Insert the spotlight from below



All the connections have to be made before powering up, otherwise the luminaires could be seriously damaged

Last update : 2026.05.05

6/7

LOUSS

BEST SAS, Capital 200 000€
RCS Dijon B 408 483 485
TVA/VAT n° : FR94 408 483 485
APE 2612Z

Tel. : +33 380 48 65 68
contact@louss.fr
www.louss.fr
Best & LOUSS

Siège social / Head Office
PA Les Terres d'Or
Route de Saint Philibert
21220 Gevrey Chambertin - FRANCE



AURORE D42 • Trim • Trim Flush • Trimless • Trimless Flush

LOuss **Permuto** - Easy swap system



All the connections have to be made before powering up,
otherwise the luminaires could be seriously damaged

Last update : 2026.05.05

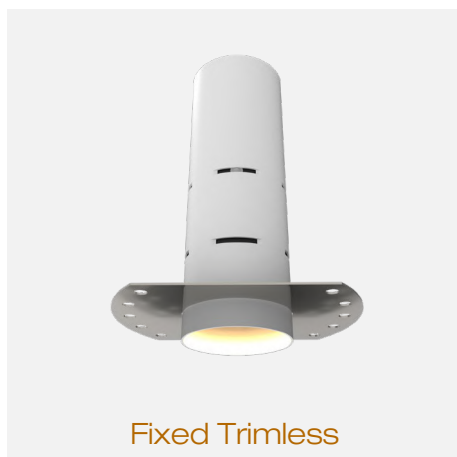
7/7

LOuss

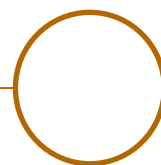
BEST SAS, Capital 200 000€
RCS Dijon B 408 483 485
TVA/VAT n° : FR94 408 483 485
APE 2612Z

Tel. : +33 380 48 65 68
contact@louss.fr
www.louss.fr
Best & LOuss

Siège social / Head Office
PA Les Terres d'Or
Route de Saint Philibert
21220 Gevrey Chambertin - FRANCE



AURORE D52 RECESSED





Range	Highly adjustable recessed ceiling downlights for general & accent lighting			
Description	Low luminance Rotation 360° Trim, Trimless & Trimless Short : Adjustable tilt 30° Fixed Trimless : Droit – pre-adjusted tilt 20° (other upon request) Trimless Flush : Adjustable tilt 20° Recessed On-plate : Adjustable tilt 90°			
Finish	White RAL 9003 matt finish Black RAL 9005 matt finish (other upon request)			
Dimensions	Recessed On-plate	Fixed Canon	Trim	Trimless
	Spotlight diameter → 52mm Plate diameter → 71mm Installation depth → 32mm Spotlight length → 13W : 95mm → 20W : 140mm Weight : ±0.30 kg	Spotlight diameter → 52mm External diameter → 52mm Installation diameter → 58mm Installation depth → 13W : 39mm → 20W : 84mm Weight : ±0.40 kg	Spotlight diameter → 52mm Recessed box diameter → 110mm Installation diameter → 84.5mm Installation depth → 13W : 90mm → 20W : 45mm Weight : ±0.45 kg	Spotlight diameter → 52mm Recessed box diameter → 89mm Installation diameter → 89mm Spotlight length : → 13W : 49mm → 20W : 94mm Weight : ±0.45 kg
	Trimless Wall Washer	Trimless Flush	Fixed Trimless	
	Spotlight diameter : → 52mm Recessed box diameter : → 89mm Installation diameter : → 89mm Installation depth : → 20W : 94mm Weight : 0.45 kg	Spotlight diameter : → 52mm Recessed box diameter : → 99mm Installation diameter : → 99mm Installation depth : → 95mm Weight : 0.45 kg	Spotlight diameter : → 52mm External diameter : → 55mm Installation diameter : → 55mm Installation depth : → 144 to 160mm (according to installation) Weight : ±0.45 kg	
LED characteristics	2700K – 3000K – 3500K – 4000K – 5000K (other upon request) MacAdam ellipse : 3 SDCM (standard version) – 2 SDCM (premium version) IRC > 90 (standard) / IRC 95, R9 > 90 (premium)			
Optics	7° - 12° - 15° - 18° - 20° - 25° - 30° - 35° - Elliptical UGR < 15			

All the connections have to be made before powering up,
otherwise the luminaires could be seriously damaged



Accessories	Filter, honeycomb grid
Luminous flux	600 to 2,000 lumen according to version
Connection	Supplied with 0.5m cable
Power supply	Remote constant current driver 700mA max. according to version Dimmable driver upon request
Power	6W to 25W according to version
Use limitations	<p>The product must be installed into a ventilated area</p> <p>This product must not be covered with insulating material</p> <p>Any use with an ambient temperature higher than the specified ambient temperature (T_a) would lead to a more rapid mortality of the product and the withdrawal of our guarantees</p> <p>The drivers, if not delivered by LOuss, must be approved before use</p>
Warranty	<p>Life span: L80-B10 = 35,000 hours (80% remaining flux) at 30°C ambient temperature</p> <p>The warranty applies to components and fabrication supplied by Louss</p> <p>The warranty does not apply to products that have been opened, modified or repaired and does not cover the effects of a wrong connection, careless, abusive handling, overvoltage, lighting injury, as well as the normal wear of the product</p> <p>All products are electrically tested and receive a functional burn-in</p>

All the connections have to be made before powering up,
otherwise the luminaires could be seriously damaged

Louss

Creation : 2019.10.23 / Last update: 2025.08.06

3/10

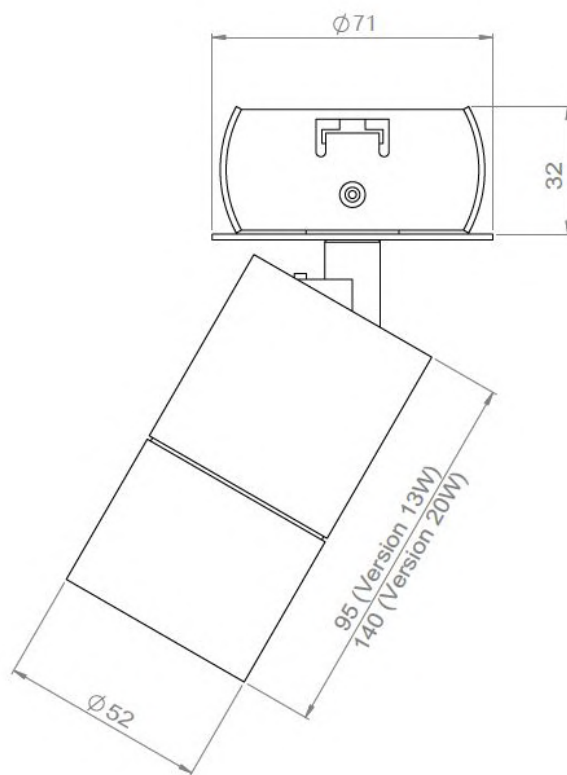
BEST SAS, Capital 200 000€
RCS Dijon B 408 483 485
TVA/VAT n° : FR94 408 483 485
APE 2612Z

Tel. : +33 380 48 65 68
contact@louss.fr
www.louss.fr
Best & LOuss

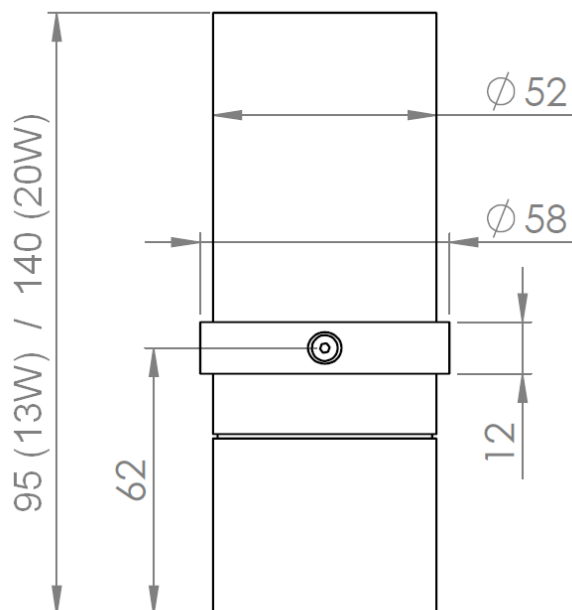
Siège social / Head Office
PA Les Terres d'Or
Route de Saint Philibert
21220 Gevrey Chambertin - FRANCE



AURORE D52 RECESSED ON-PLATE



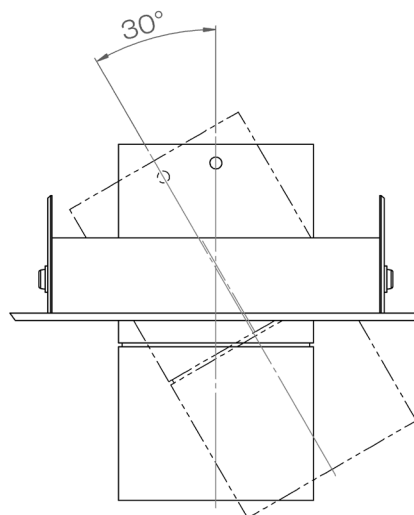
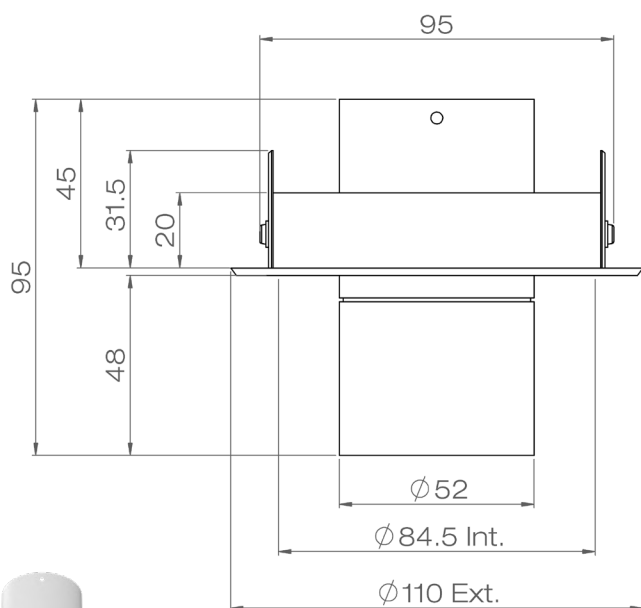
AURORE D52 FIXED CANON



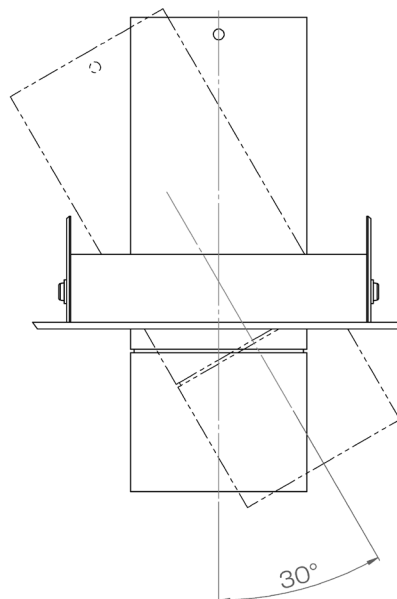
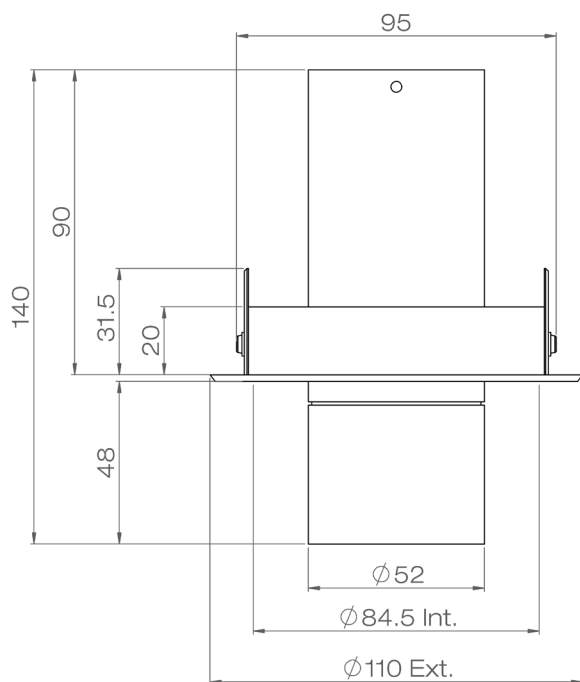
All the connections have to be made before powering up,
otherwise the luminaires could be seriously damaged



AURORE D52 TRIM 13W



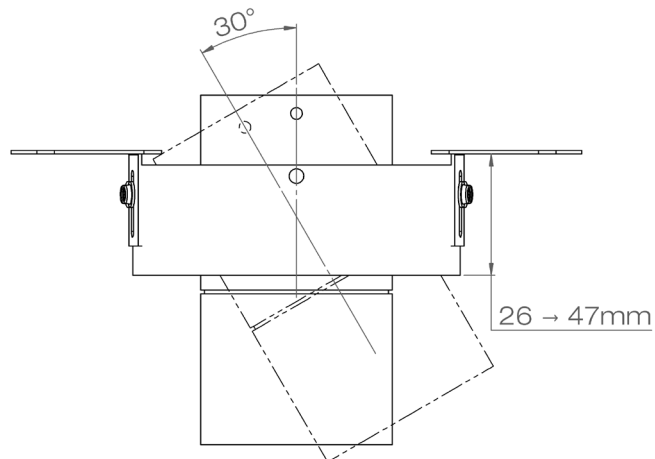
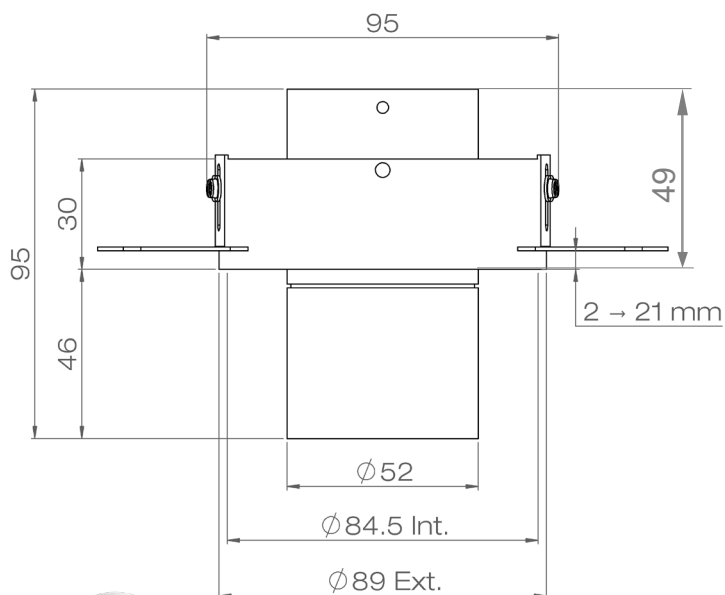
AURORE D52 TRIM 20W



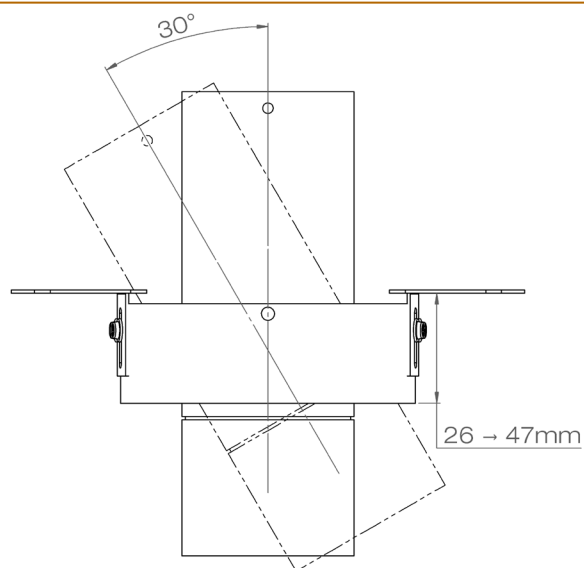
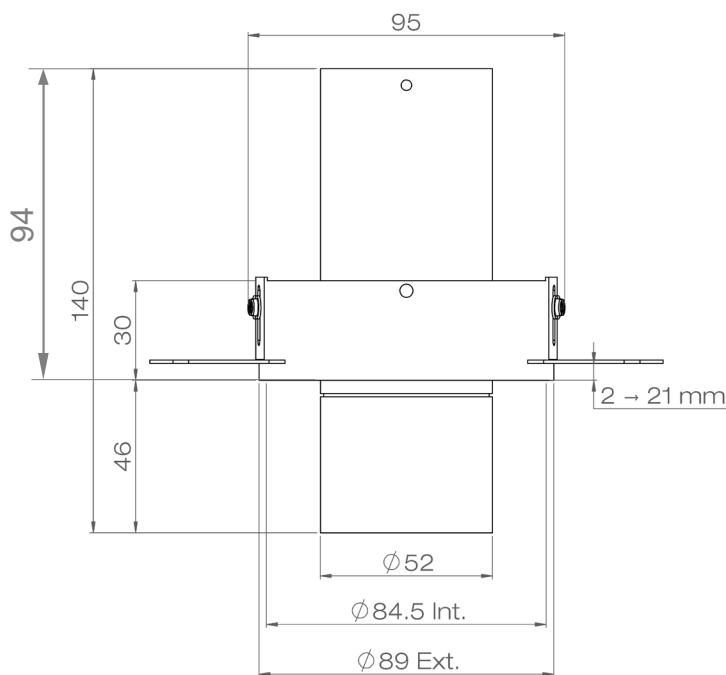
All the connections have to be made before powering up,
otherwise the luminaires could be seriously damaged



AURORE D52 TRIMLESS 13W



AURORE D52 TRIMLESS 20W



All the connections have to be made before powering up,
otherwise the luminaires could be seriously damaged

LOUSS

Creation : 2019.10.23 / Last update: 2025.08.06

6/10

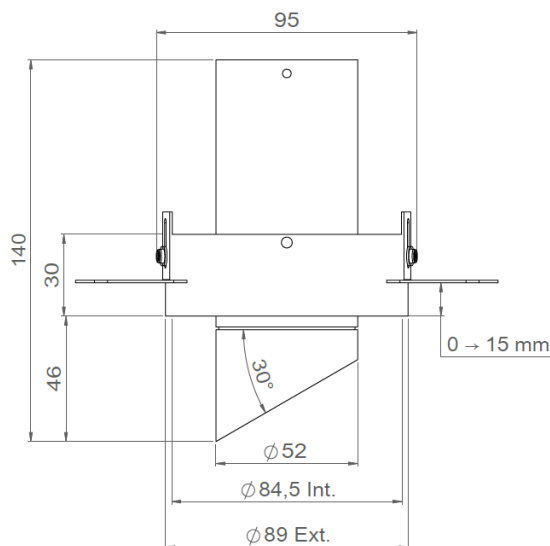
BEST SAS, Capital 200 000€
RCS Dijon B 408 483 485
TVA/VAT n° : FR94 408 483 485
APE 2612Z

Tel. : +33 380 48 65 68
contact@louss.fr
www.louss.fr
Best & LOUSS

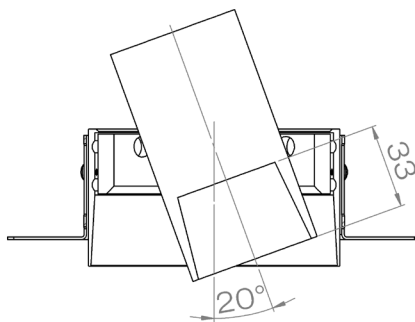
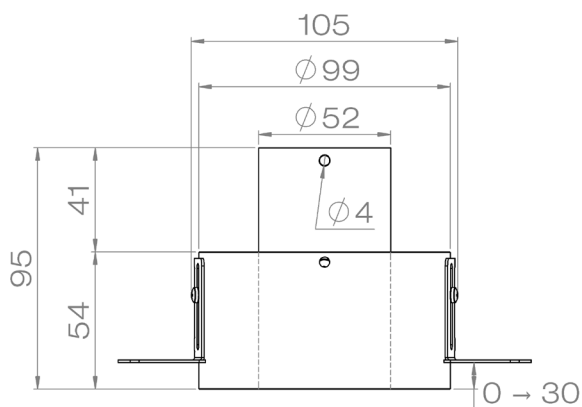
Siège social / Head Office
PA Les Terres d'Or
Route de Saint Philibert
21220 Gevrey Chambertin - FRANCE



AURORE D52 TRIMLESS WALL WASHER

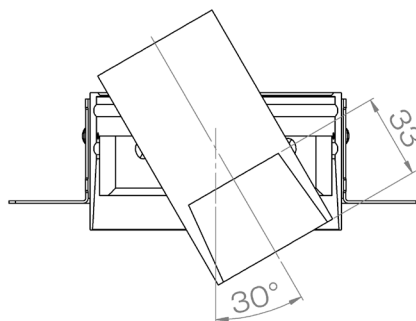
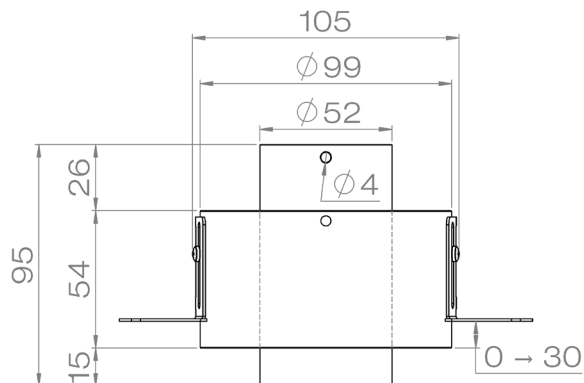


AURORE D52 TRIMLESS FLUSH



Upper position

Insert the luminaire into the **upper position** of the recessed frame to obtain a **flush** luminaire



Low position

To obtain **30° orientation** angle, insert the luminaire in the **lowest position**

WARNING :
in this position, the spotlight cannot flush with the ceiling

All the connections have to be made before powering up,
otherwise the luminaires could be seriously damaged

Louss

Creation : 2019.10.23 / Last update: 2025.08.06

7/10

BEST SAS, Capital 200 000€
RCS Dijon B 408 483 485
TVA/VAT n° : FR94 408 483 485
APE 2612Z

Tel. : +33 380 48 65 68
contact@louss.fr
www.louss.fr
Best & LOUSS

Siège social / Head Office
PA Les Terres d'Or
Route de Saint Philibert
21220 Gevrey Chambertin - FRANCE



Trimless



Trimless Flush

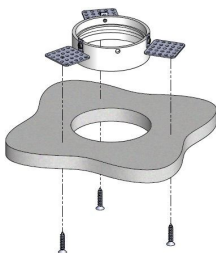


Trimless Short

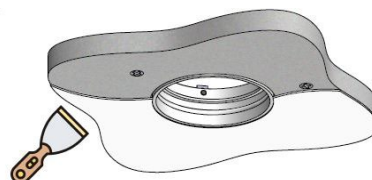


Trimless Wall-Washer

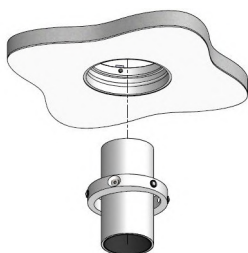
Installation from above



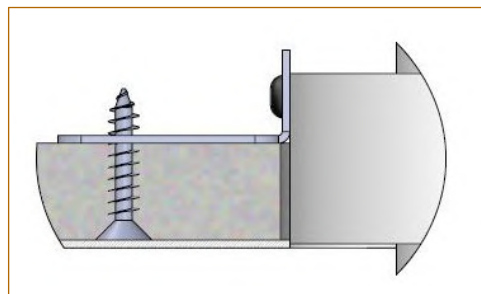
Install the recessed frame from above and screw it into the surface



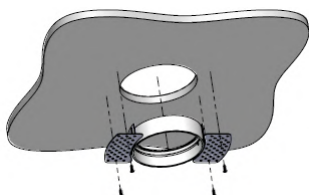
Cover the lateral plates of the recessed frame by coating and painting



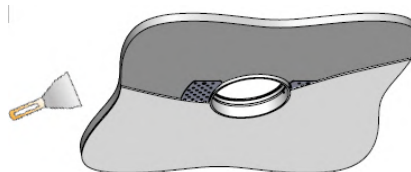
Insert the spotlight from below



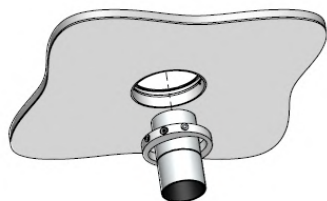
Installation from below



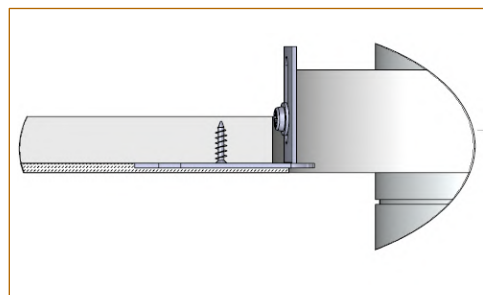
Install the recessed frame from below and screw it into the surface



Cover the lateral plates of the recessed frame by coating and painting



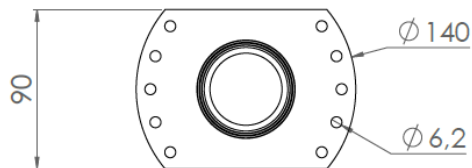
Insert the spotlight from below



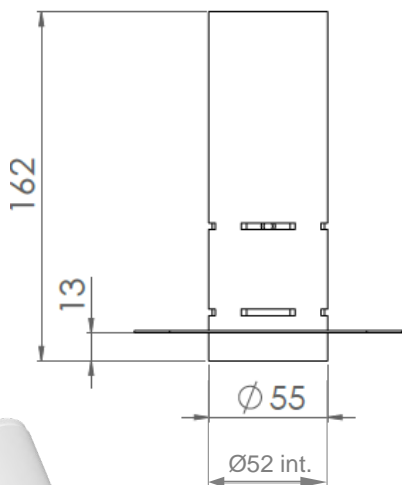
All the connections have to be made before powering up, otherwise the luminaires could be seriously damaged



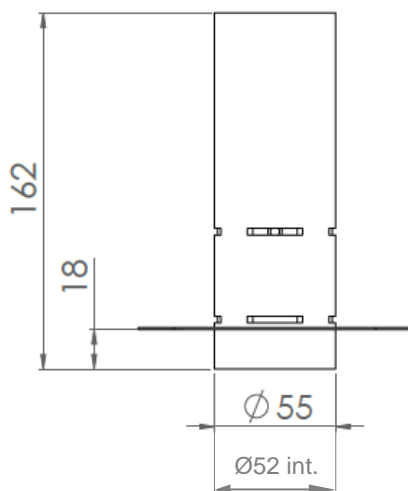
AURORE D52 TRIMLESS FIXE DROIT



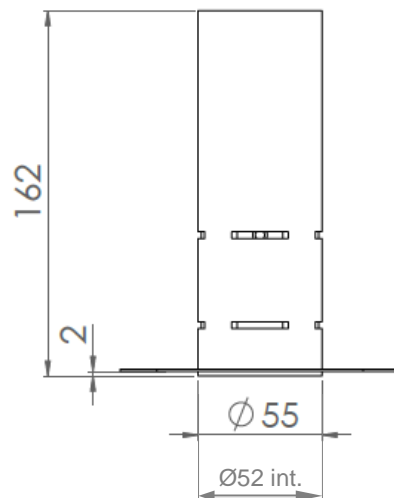
BA13 version
Installation from above



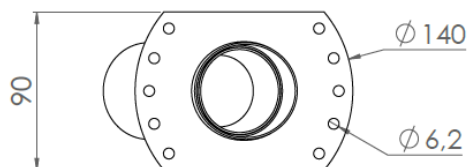
BA18 version
Installation from above



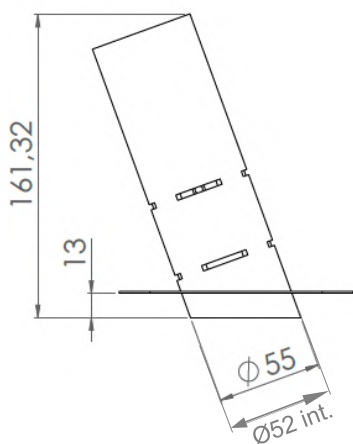
Installation from below



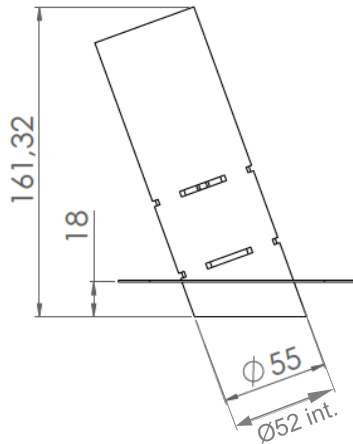
AURORE D52 TRIMLESS FIXE INCLINÉ



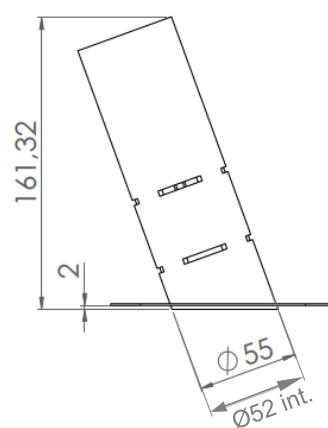
BA13 version
Installation from above



BA18 version
Installation from above



Installation from below

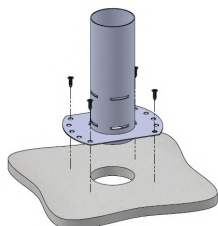


All the connections have to be made before powering up, otherwise the luminaires could be seriously damaged

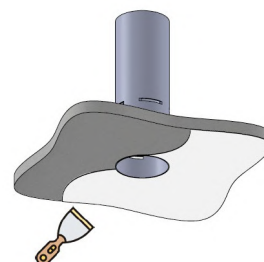


AURORE D52 FIXED TRIMLESS

Installation from above



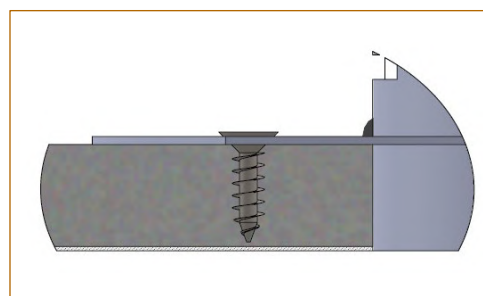
Install the recessed tube from above and screw it into the surface



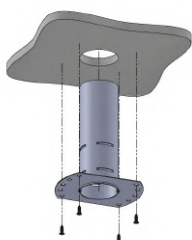
Cover the lateral plates of the recessed tube by coating and painting



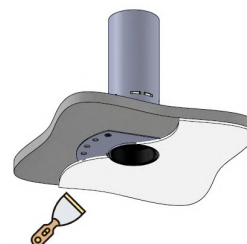
Insert the spotlight from below



Installation from below



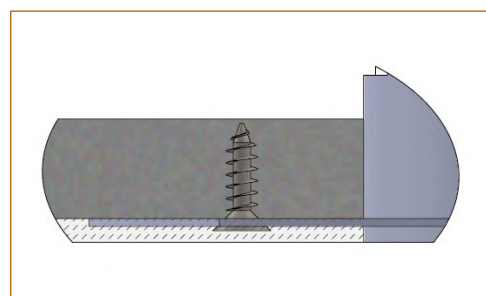
Install the recessed tube from below and screw it into the surface



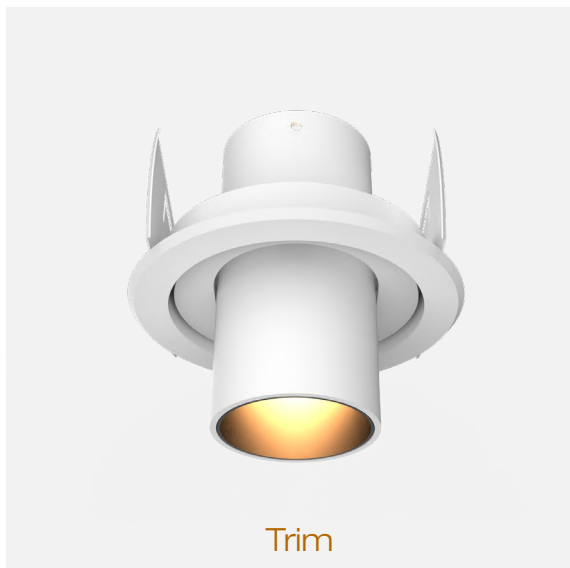
Cover the lateral plates of the recessed tube by coating and painting



Insert the spotlight from below



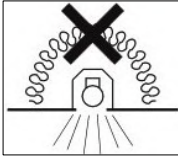
All the connections have to be made before powering up, otherwise the luminaires could be seriously damaged



AURORE D55 RECESSED



AURORE D55 • Trim • Trim Flush • Trimless • Trimless Flush

<p>Use limitations</p> 	<p>The product must be installed into a ventilated area</p> <p>This product must not be covered with insulating material</p> <p>Any use with an ambient temperature higher than the specified ambient temperature (Ta) would lead to a more rapid mortality of the product and the withdrawal of our guarantees</p> <p>The drivers, if not delivered by LOuss, must be approved before use</p>
<p>Warranty</p>	<p>Life span : L80B10 at 50,000 hours (80% remaining flux) at 25°C ambient temperature</p> <p>3-year parts and labour warranty</p> <p>The warranty does not apply to products that have been opened, modified or repaired and does not cover the effects of a wrong connection, careless, abusive handling, overvoltage, lightning injury, as well as the normal wear of the product</p> <p>All products are electrically tested and received a functional burn-in</p>

All the connections have to be made before powering up,
otherwise the luminaires could be seriously damaged

Creation : 2025.02.11 / Last update: 2026.05.06

3/7

LOuss

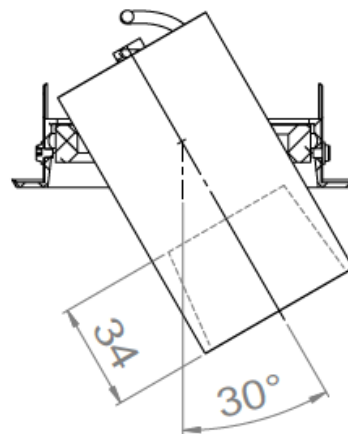
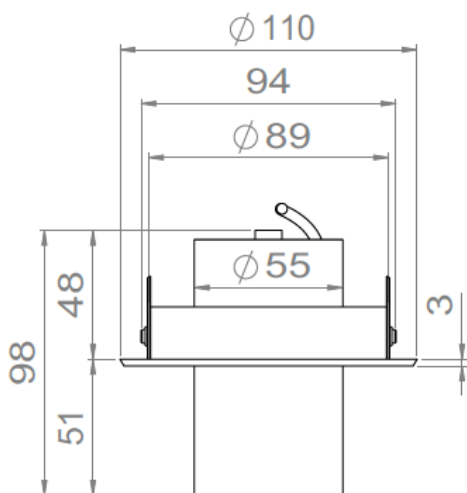
BEST SAS, Capital 200 000€
RCS Dijon B 408 483 485
TVA/VAT n° : FR94 408 483 485
APE 2612Z

Tel. : +33 380 48 65 68
contact@louss.fr
www.louss.fr
Best & LOuss

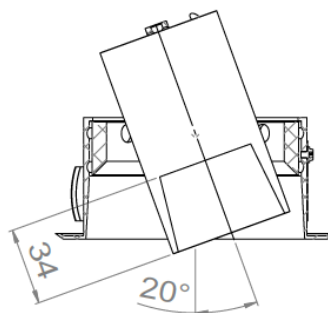
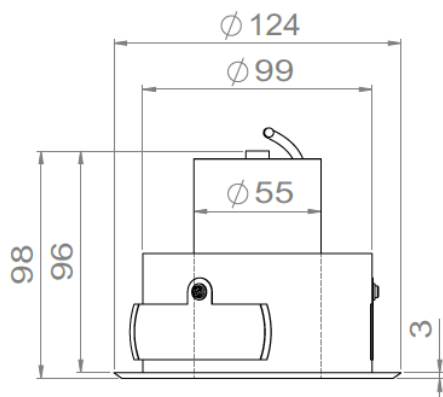
Siège social / Head Office
PA Les Terres d'Or
Route de Saint Philibert
21220 Gevrey Chambertin - FRANCE



AURORE D55 TRIM

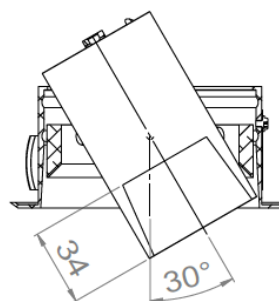
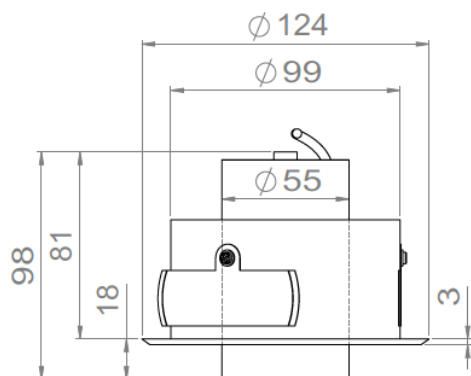


AURORE D55 TRIM FLUSH



Upper position

Insert the luminaire into the upper position of the recessed frame to obtain a flush luminaire



Low position

To obtain 30° orientation angle, insert the luminaire in the lowest position

WARNING :
in this position, the spotlight cannot flush with the ceiling

All the connections have to be made before powering up, otherwise the luminaires could be seriously damaged

Creation : 2025.02.11 / Last update: 2026.05.06

LOUSS

BEST SAS, Capital 200 000€
RCS Dijon B 408 483 485
TVA/VAT n° : FR94 408 483 485
APE 2612Z

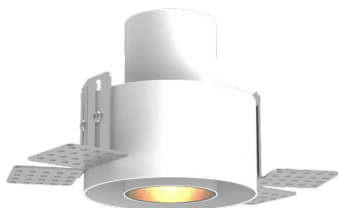
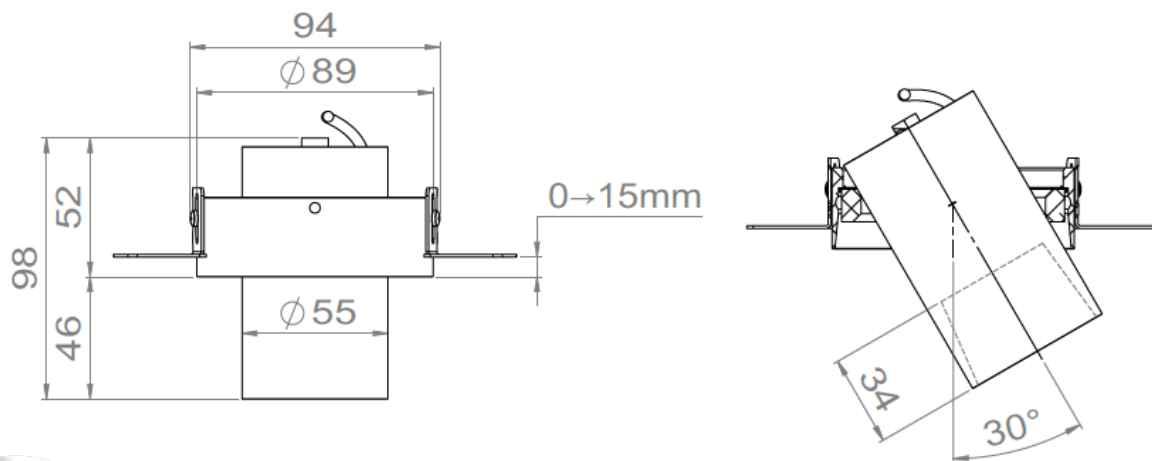
Tel. : +33 380 48 65 68
contact@louss.fr
www.louss.fr
Best & LOUSS

Siège social / Head Office
PA Les Terres d'Or
Route de Saint Philibert
21220 Gevrey Chambertin - FRANCE

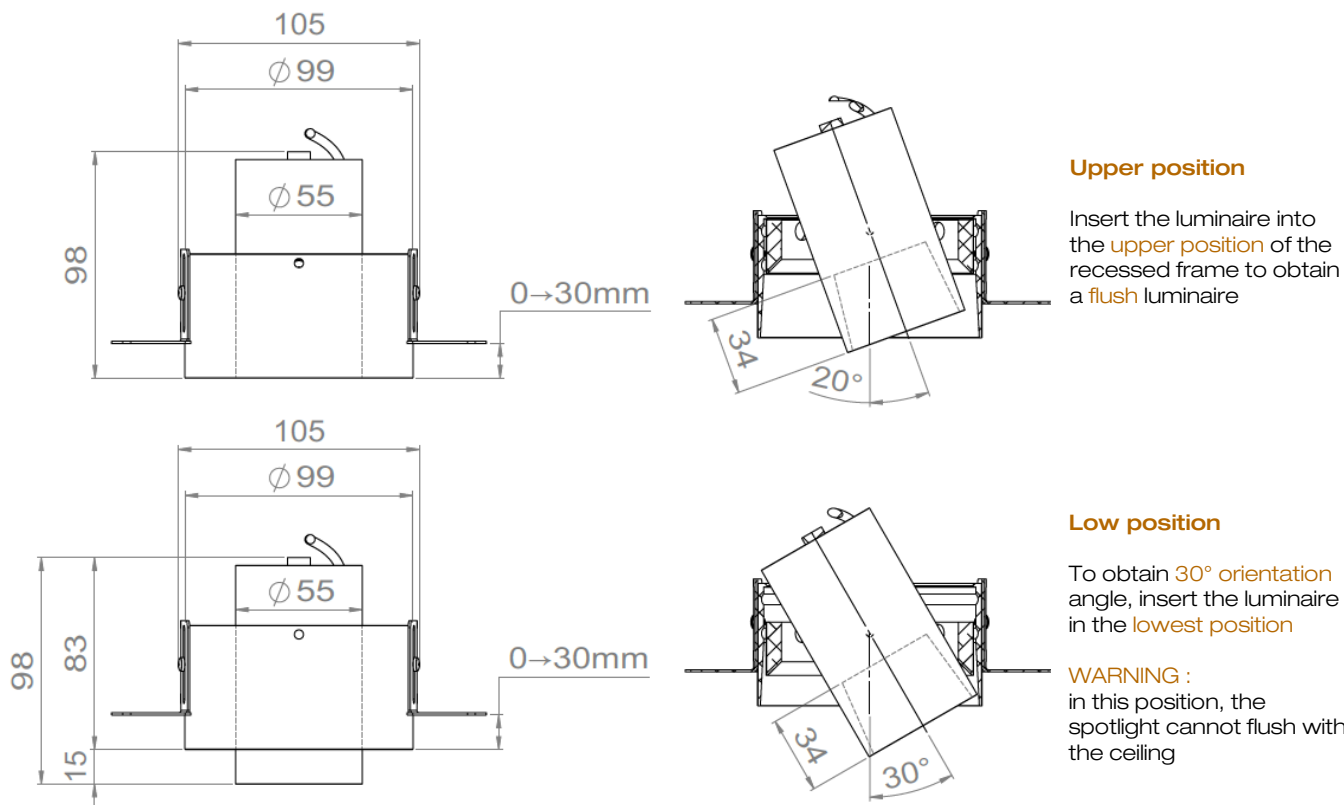
4/7



AURORE D55 TRIMLESS



AURORE D55 TRIMLESS FLUSH



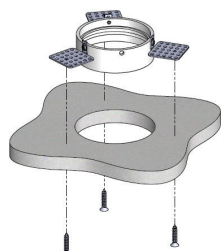
All the connections have to be made before powering up, otherwise the luminaires could be seriously damaged

Creation : 2025.02.11 / Last update: 2026.05.06

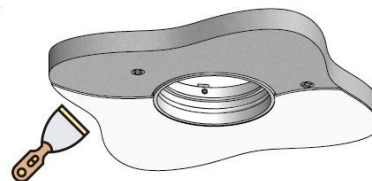


AURORE D55 • Trim • Trim Flush • Trimless • Trimless Flush

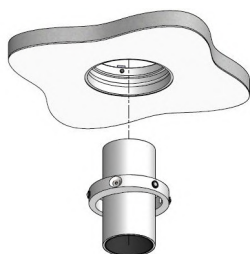
Installation from above



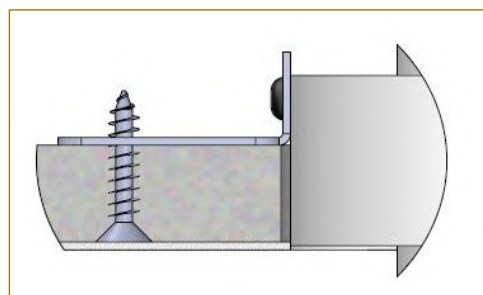
Install the recessed box from above and screw it into the surface



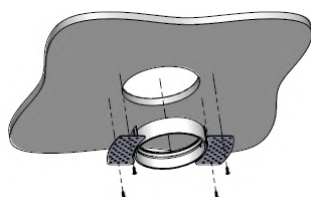
Cover the lateral plates of the recessed box by coating and painting



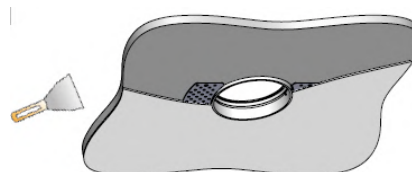
Insert the spotlight from below



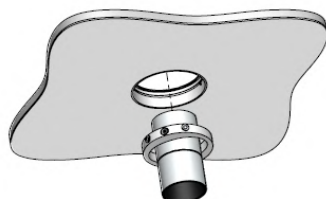
Installation from below



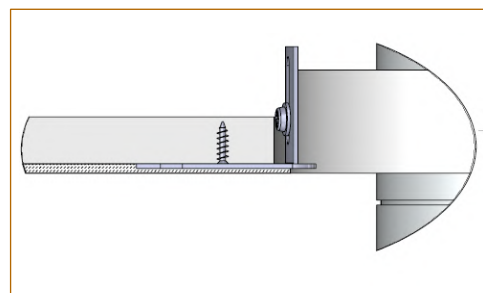
Install the recessed box from below and screw it into the surface



Cover the lateral plates of the recessed box by coating and painting



Insert the spotlight from below



All the connections have to be made before powering up, otherwise the luminaires could be seriously damaged

Creation : 2025.02.11 / Last update: 2026.05.06

LOUSS

BEST SAS, Capital 200 000€
RCS Dijon B 408 483 485
TVA/VAT n° : FR94 408 483 485
APE 2612Z

Tel. : +33 380 48 65 68
contact@louss.fr
www.louss.fr
Best & LOUSS

Siège social / Head Office
PA Les Terres d'Or
Route de Saint Philibert
21220 Gevrey Chambertin - FRANCE

6/7



AURORE D55 • Trim • Trim Flush • Trimless • Trimless Flush

LOuss **Permuto** easy swap system

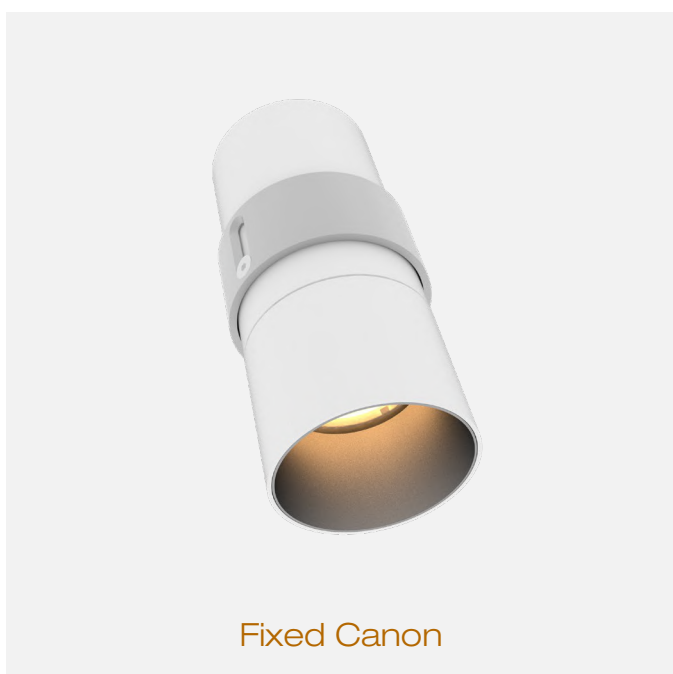


All the connections have to be made before powering up, otherwise the luminaires could be seriously damaged

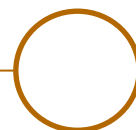
Creation : 2025.02.11 / Last update: 2026.05.06

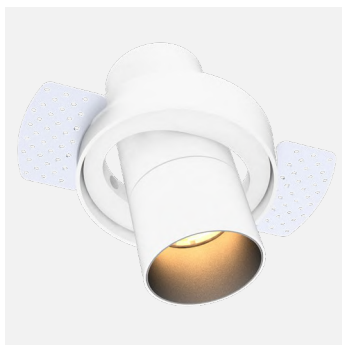
7/7





AURORE D60 RECESSED





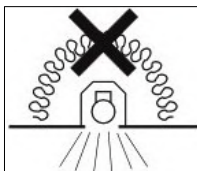
AURORE D60

• Trim

• Trimless

• Fixed Canon

Use limitations



The product must be installed into a ventilated area

This product must not be covered with insulating material

Any use with an ambient temperature higher than the specified ambient temperature (T_a) would lead to a more rapid mortality of the product and the withdrawal of our guarantees

The drivers, if not delivered by LOuss, must be approved before use

Warranty

Life span : L80B10 at 50,000 hours (80% remaining flux) at 25°C ambient temperature

3-year parts and labor warranty

The warranty does not apply to products that have been opened, modified or repaired and does not cover the effects of a wrong connection, careless, abusive handling, overvoltage, lightning injury, as well as the normal wear of the product

All products are electrically tested and received a functional burn-in

All the connections have to be made before powering up,
otherwise the luminaires could be seriously damaged

Creation : 2020.10.06 / Last update: 2026.05.06

LOuss

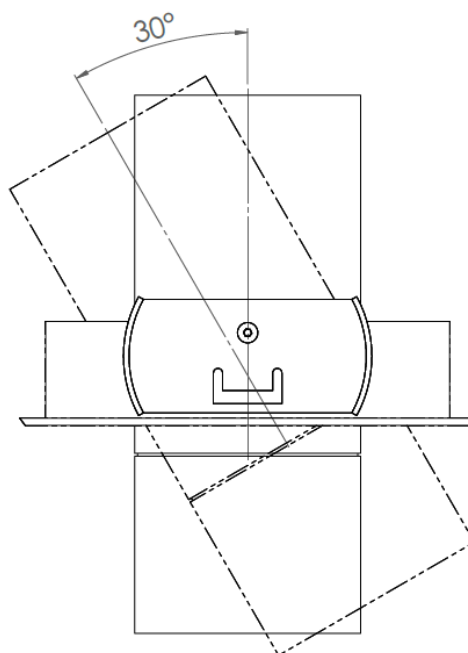
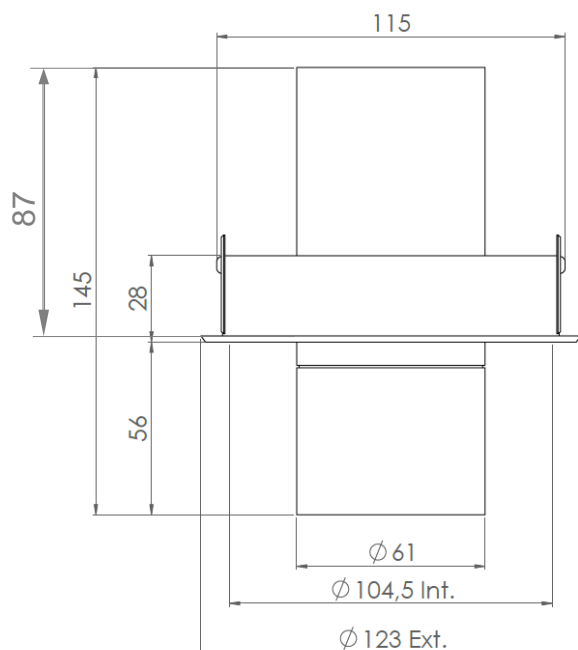
BEST SAS, Capital 200 000€
RCS Dijon B 408 483 485
TVA/VAT n° : FR94 408 483 485
APE 2612Z

Tel. : +33 380 48 65 68
contact@louss.fr
www.louss.fr
Best & LOuss

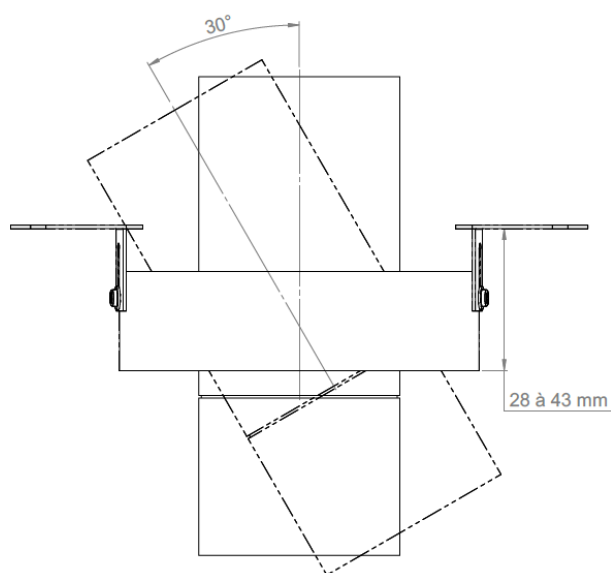
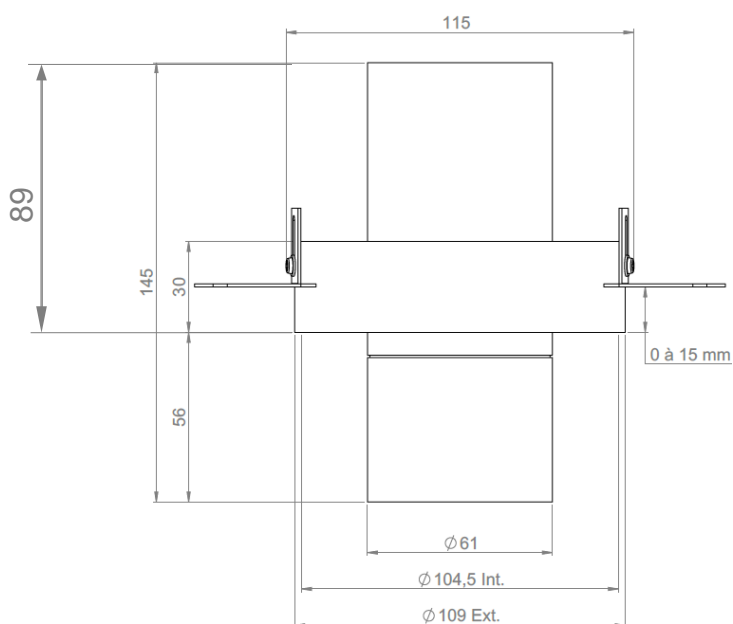
Siège social / Head Office
PA Les Terres d'Or
Route de Saint Philibert
21220 Gevrey Chambertin - FRANCE



AURORE D60 TRIM



AURORE D60 TRIMLESS



All the connections have to be made before powering up,
otherwise the luminaires could be seriously damaged

LOUSS

Creation : 2020.10.06 / Last update: 2026.05.06

4/6

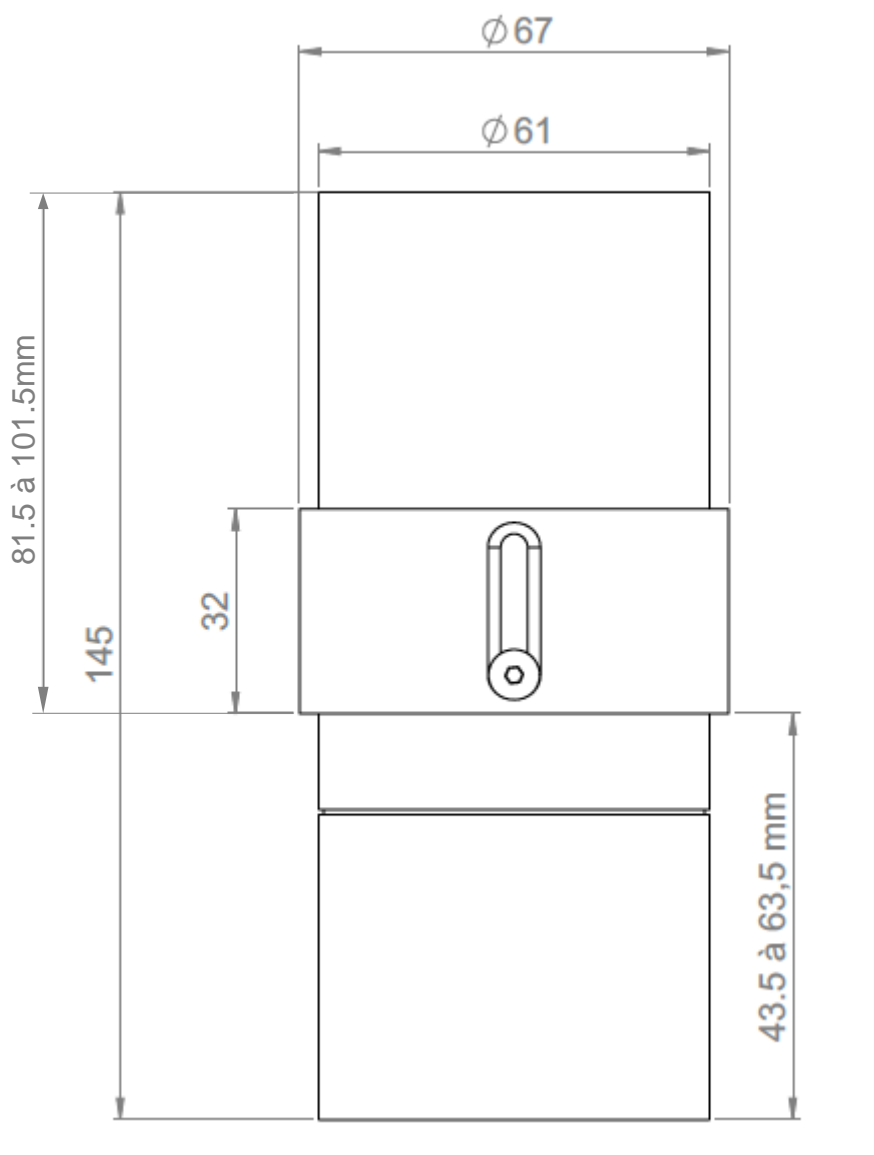
BEST SAS, Capital 200 000€
RCS Dijon B 408 483 485
TVA/VAT n° : FR94 408 483 485
APE 2612Z

Tel. : +33 380 48 65 68
contact@louss.fr
www.louss.fr
Best & LOUSS

Siège social / Head Office
PA Les Terres d'Or
Route de Saint Philibert
21220 Gevrey Chambertin - FRANCE



AURORE D60 FIXED CANON



All the connections have to be made before powering up,
otherwise the luminaires could be seriously damaged

Creation : 2020.10.06 / Last update: 2026.05.06

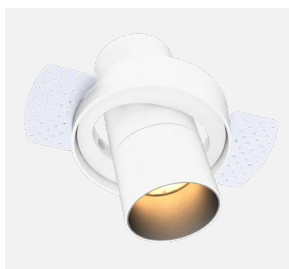
5/6

LOUSS

BEST SAS, Capital 200 000€
RCS Dijon B 408 483 485
TVA/VAT n° : FR94 408 483 485
APE 2612Z

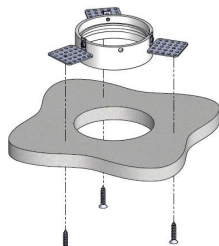
Tel. : +33 380 48 65 68
contact@louss.fr
www.louss.fr
Best & LOUSS

Siège social / Head Office
PA Les Terres d'Or
Route de Saint Philibert
21220 Gevrey Chambertin - FRANCE

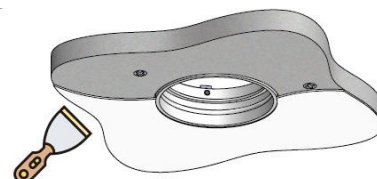


AURORE D60 • Trim • Trimless • Fixed Canon

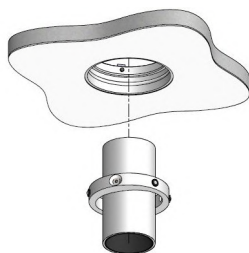
Installation from above



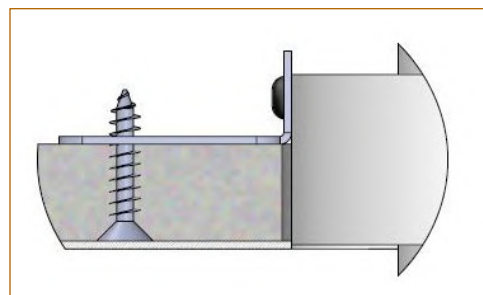
Install the recessed box from above and screw it into the surface



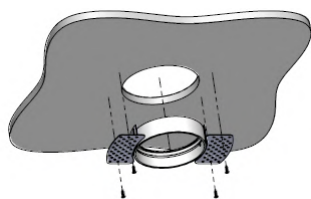
Cover the lateral plates of the recessed box by coating and painting



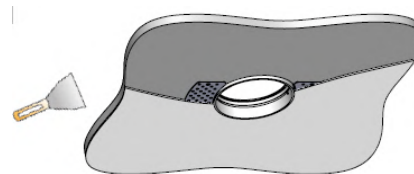
Insert the spotlight from below



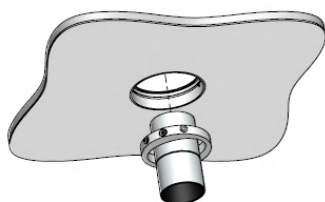
Installation from below



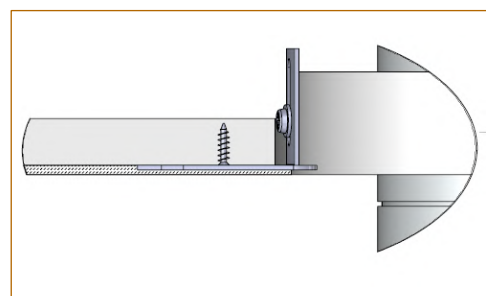
Install the recessed box from below and screw it into the surface



Cover the lateral plates of the recessed box by coating and painting



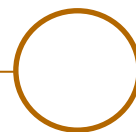
Insert the spotlight from below



All the connections have to be made before powering up, otherwise the luminaires could be seriously damaged



AURORE D75 RECESSED





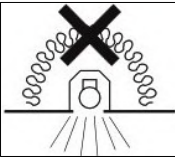
AURORE D75 • Trimless • Trimless Wall-Washer • Trimless Flush

Range	Highly adjustable recessed ceiling downlight for general & accent lighting		
Description	Low luminance Rotation 360° Trimless : Adjustable tilt 30° Trimless Wall-Washer : Adjustable tilt 35° Trimless Flush : Adjustable tilt 20°		
Finish	White RAL 9003 matt finish Black RAL 9005 matt finish (other upon request)		
Dimensions	Trimless	Trimless Wall Washer	Trimless Flush
	Spotlight diameter → 75mm	Spotlight diameter → 75mm	Spotlight diameter → 75mm
	Recessed frame diameter → 118mm	Recessed frame diameter → 118mm	Recessed frame diameter → 135mm
	Installation diameter → 118mm	Installation diameter → 118mm	Installation diameter → 135mm
Installation depth → 46mm	Installation depth → 46mm	Installation depth → 100mm	
Net weight	0.5 kg		
LED characteristics	2700K – 3000K – 3500K - 4000K (other upon request) CRI 90 R9 >50 CRI 95 R9 >80 CRI 97 R9 >90		
Optical beams	6° - 12° - 15° -20° - 25° - 30° - 35° - 40° - 60° - Elliptical UGR < 15		
Accessories	Filters, honeycomb grids upon request		
Luminous flux	600 to 2,000 lumen according to version		
Connection	Supplied with 0.5m cable		
Power supply	700mA max. external constant current driver according to version Dimmable driver upon request		
Power	6W to 25W according to version		

All the connections have to be made before powering up,
otherwise the luminaires could be seriously damaged



AURORE D75 • Trimless • Trimless Wall-Washer • Trimless Flush

<p>Use limitations</p> 	<p>The product must be installed into a ventilated area</p> <p>This product must not be covered with insulating material</p> <p>Any use with an ambient temperature higher than the specified ambient temperature (T_a) would lead to a more rapid mortality of the product and the withdrawal of our guarantees</p> <p>The drivers, if not delivered by LOuss, must be approved before use</p>
<p>Warranty</p>	<p>Life span: L80-B10 = 35,000 hours (80% remaining flux) at 25°C ambient temperature</p> <p>The warranty applies to components and fabrication supplied by Louss</p> <p>The warranty does not apply to products that have been opened, modified or repaired and does not cover the effects of a wrong connection, careless, abusive handling, overvoltage, lighting injury, as well as the normal wear of the product</p> <p>All products are electrically tested and receive a functional burn-in</p>

All the connections have to be made before powering up,
otherwise the luminaires could be seriously damaged

Creation : 2020.09.28 / Last update: 2026.05.06

LOuss

BEST SAS, Capital 200 000€
RCS Dijon B 408 483 485
TVA/VAT n° : FR94 408 483 485
APE 2612Z

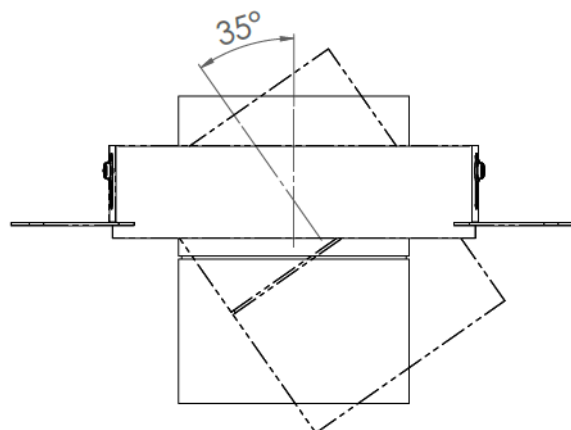
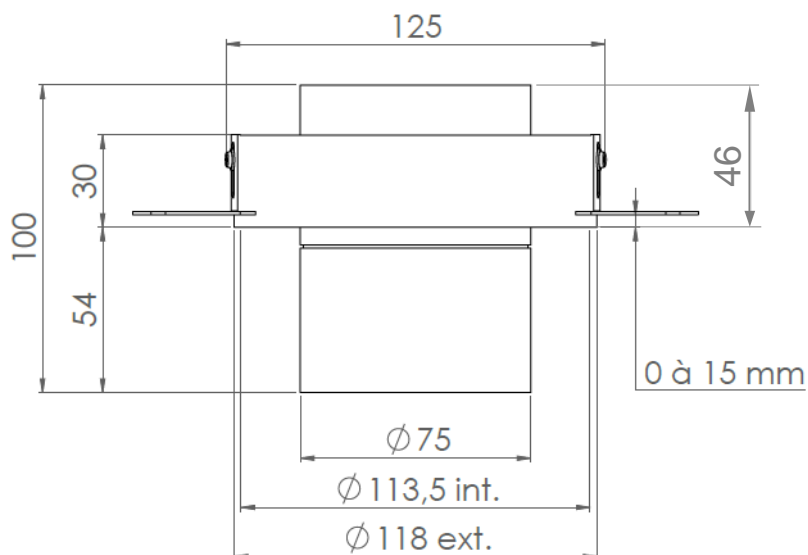
Tel. : +33 380 48 65 68
contact@louss.fr
www.louss.fr
Best & LOuss

Siège social / Head Office
PA Les Terres d'Or
Route de Saint Philibert
21220 Gevrey Chambertin - FRANCE

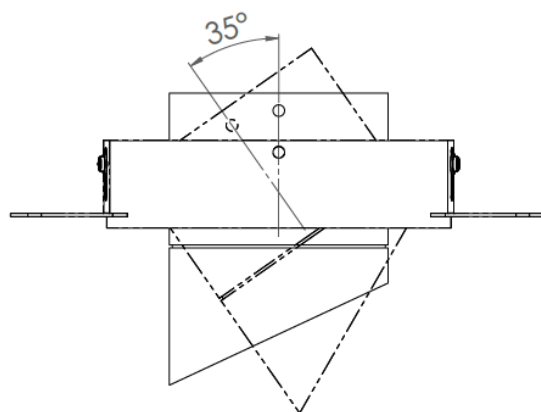
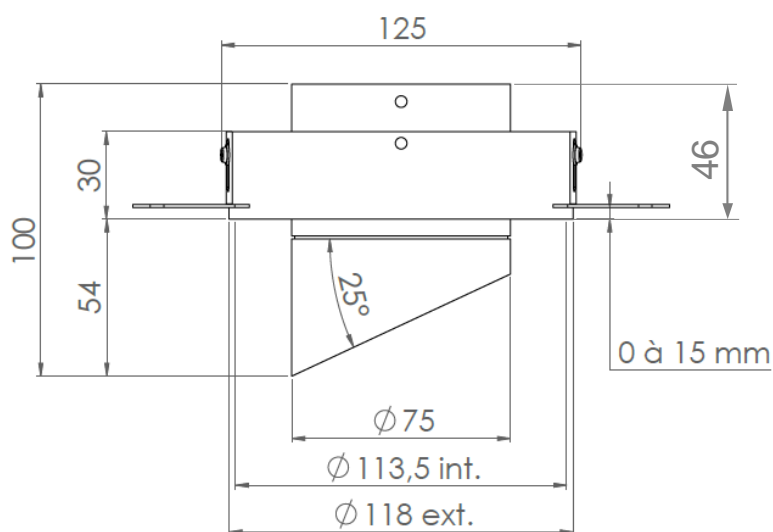
3/6



AURORE D75 TRIMLESS



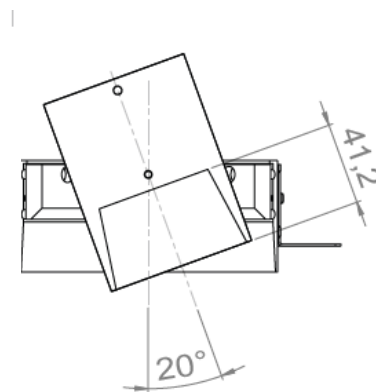
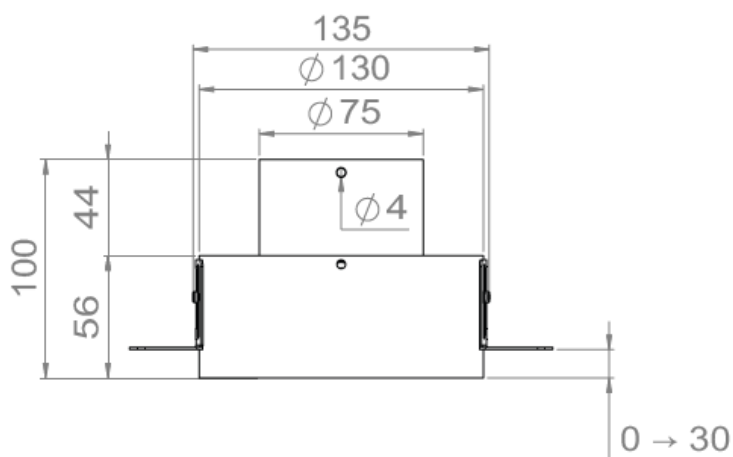
AURORE D75 TRIMLESS WALL WASHER



All the connections have to be made before powering up,
otherwise the luminaires could be seriously damaged

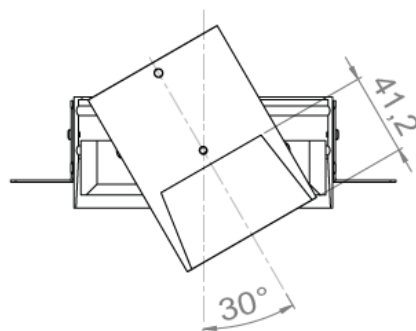
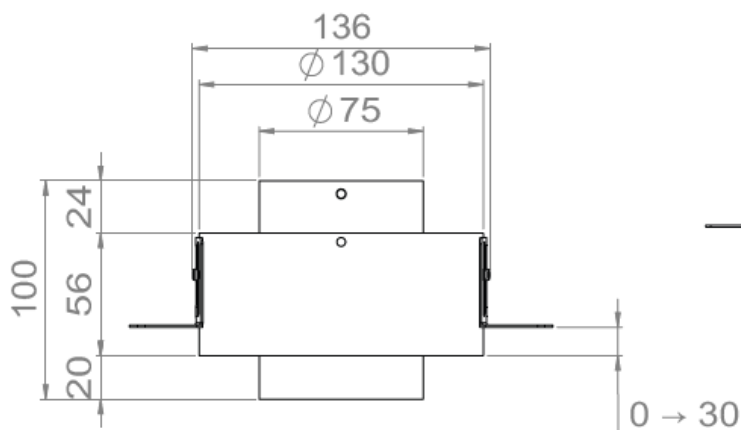


AURORE D75 TRIMLESS FLUSH



Upper position

Insert the luminaire into the upper position of the recessed frame to obtain a flush luminaire



Low position

To obtain 30° orientation angle, insert the luminaire in the lowest position

WARNING :
in this position, the spotlight cannot flush with the ceiling

All the connections have to be made before powering up,
otherwise the luminaires could be seriously damaged

Creation : 2020.09.28 / Last update: 2026.05.06

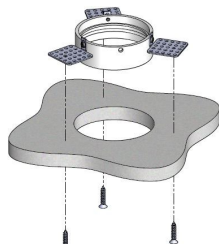
LOUSS

5/6

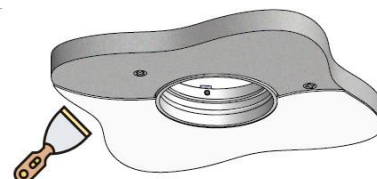


AURORE D75 • Trimless • Trimless Wall-Washer • Trimless Flush

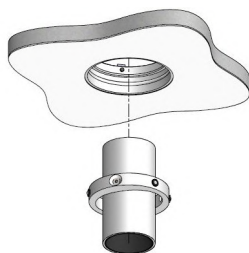
Installation from above



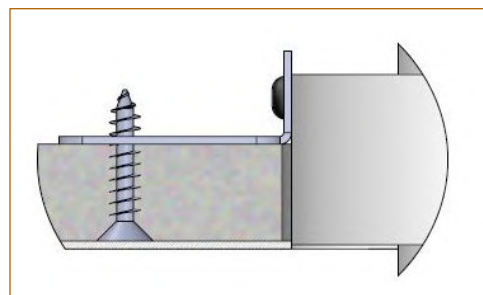
Install the recessed box from above and screw it into the surface



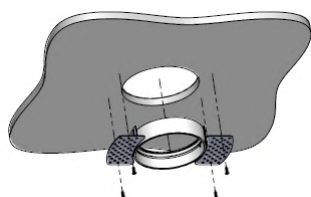
Cover the lateral plates of the recessed box by coating and painting



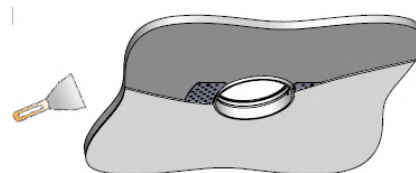
Insert the spotlight from below



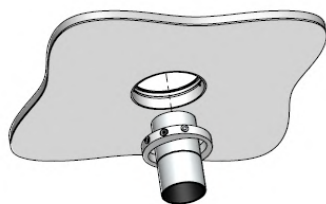
Installation from below



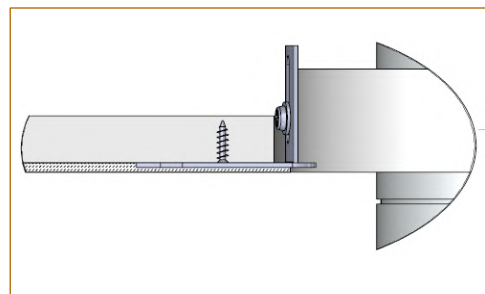
Install the recessed box from below and screw it into the surface



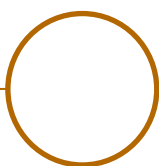
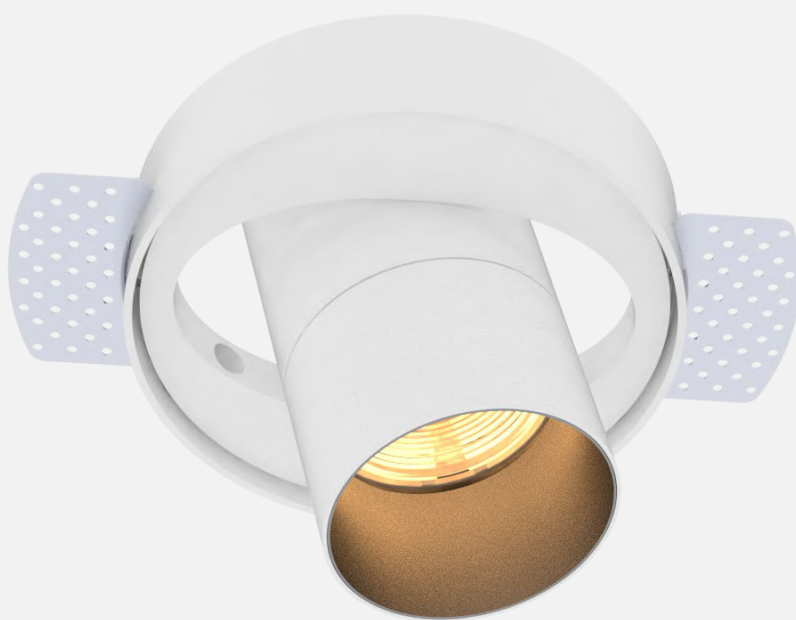
Cover the lateral plates of the recessed box by coating and painting



Insert the spotlight from below



All the connections have to be made before powering up, otherwise the luminaires could be seriously damaged



AURORE D82 RECESSED



AURORE D82 TRIMLESS

Range	Highly flexible recessed ceiling downlight for general & accent cardanic lighting		
Description	Low luminance Monochrome, Trio or Tunable White Rotation 360° - Adjustable tilt 45°		
Finish	White RAL 9003 matt finish Black RAL 9005 matt finish (other upon request)		
Dimensions	Spotlight diameter : 81mm Installation diameter : 158.5mm Installation depth : 68.5mm		
Net Weight	0.9Kg		
LED characteristics	Monochrome version	Trio version	Tunable White version
	2700K - 3000K - 4000K - 3500K - 5000K (other upon request)	2700K + 4000K + 6500K (not tunable)	2700K + 4000K + 6500K
	MacAdam ellipse: 3 SDCM (standard) 2 SDCM (premium) CRI 90 (standard) - CRI 95, R9>90 (premium)		
Optical beams	Monochrome & version		Tunable White & Trio versions
	12° - 15° - 25° - 30° - 40° - Elliptical		8° - 20° - 30° UGR < 15
Accessories	Filters, honeycomb grid upon request		
Luminous flux	Monochrome version		Tunable White & Trio versions
	1,500 to 2,500 lumen according to version		2,300 to 2,600 lumen according to version
Connection	Monochrome & Trio versions		Tunable White version
	Delivered with 0.5m cable		Supplied with 0.5m cable with 6 conductors Daisy chain version : 2 input-output cables for serial cabling
Power supply	Monochrome & Trio versions		Tunable White version
	Remote constant current driver 700mA max. according to version Dimmable driver upon request		Remote constant current DMX driver 700mA max. (1A possible with driver flanged at 30W max)
Power	Monochrome version		Tunable White & Trio versions
	15W to 25W driver included		30W max. driver included

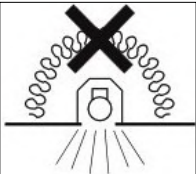
All the connections have to be made before powering up, otherwise the luminaires could be seriously damaged.

Creation : 2020.01.17 / Last update : 2026.05.06

2/6



AURORE D82 TRIMLESS

<p>Use limitations</p> 	<p>The product must be installed into a ventilated area</p> <p>This product must not be covered with insulating material</p> <p>Any use with an ambient temperature higher than the specified ambient temperature (Ta) would lead to a more rapid mortality of the product and the withdrawal of our guarantees</p> <p>The drivers, if not delivered by LOuss, must be approved before use</p>
<p>Warranty</p>	<p>Life span : L80B10 at 50,000 hours (80% remaining flux) at 25°C ambient temperature.</p> <p>3-year parts and labour warranty</p> <p>The warranty does not apply to products that have been opened, modified or repaired and does not cover the effects of a wrong connection, careless, abusive handling, overvoltage, lightning injury, as well as the normal wear of the product</p> <p>All products are electrically tested and received a functional burn-in</p>

All the connections have to be made before powering up,
otherwise the luminaires could be seriously damaged.

Creation : 2020.01.17 / Last update : 2026.05.06

3/6

LOuss

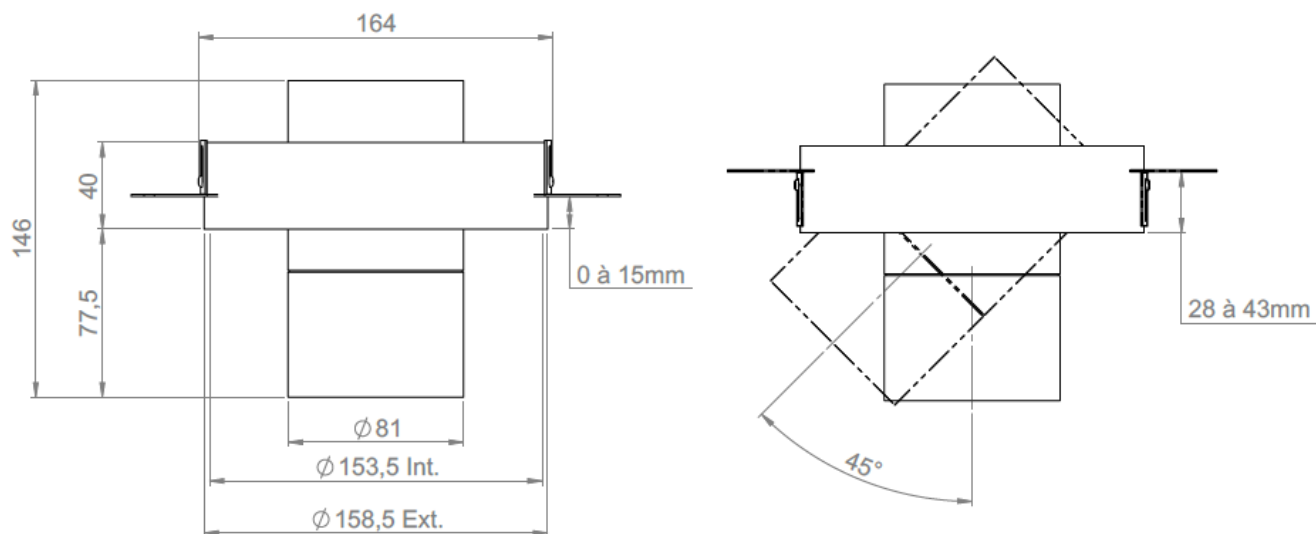
BEST SAS, Capital 200 000€
RCS Dijon B 408 483 485
TVA/VAT n° : FR94 408 483 485
APE 2612Z

Tel. : +33 380 48 65 68
contact@louss.fr
www.louss.fr
Best & LOuss

Siège social / Head Office
PA Les Terres d'Or
Route de Saint Philibert
21220 Gevrey Chambertin - FRANCE



AURORE D82 TRIMLESS



All the connections have to be made before powering up,
otherwise the luminaires could be seriously damaged.

Creation : 2020.01.17 / Last update : 2026.05.06

4/6

LOUSS

BEST SAS, Capital 200 000€
RCS Dijon B 408 483 485
TVA/VAT n° : FR94 408 483 485
APE 2612Z

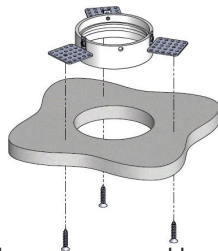
Tel. : +33 380 48 65 68
contact@louss.fr
www.louss.fr
Best & LOUSS

Siège social / Head Office
PA Les Terres d'Or
Route de Saint Philibert
21220 Gevrey Chambertin - FRANCE

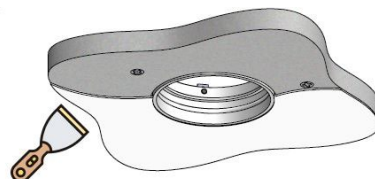


AURORE D82 TRIMLESS

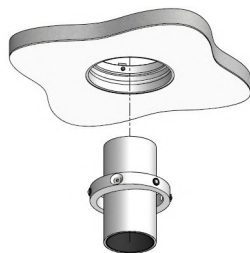
Installation from above



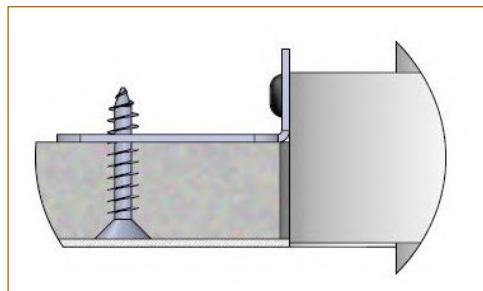
Install the recessed box from above and screw it into the surface



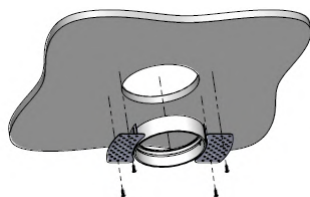
Cover the lateral plates of the recessed box by coating and painting



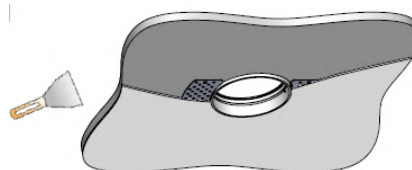
Insert the spotlight from below



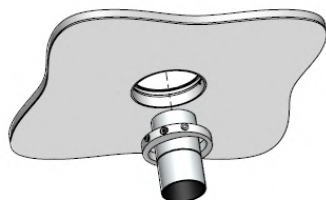
Installation from below



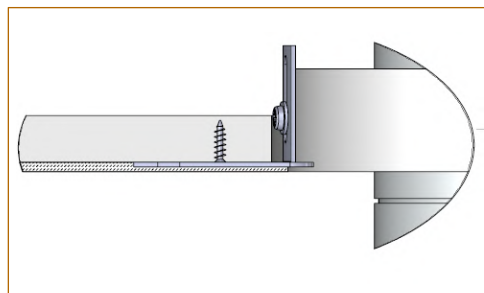
Install the recessed box from below and screw it into the surface



Cover the lateral plates of the recessed box by coating and painting



Insert the spotlight from below



All the connections have to be made before powering up, otherwise the luminaires could be seriously damaged.

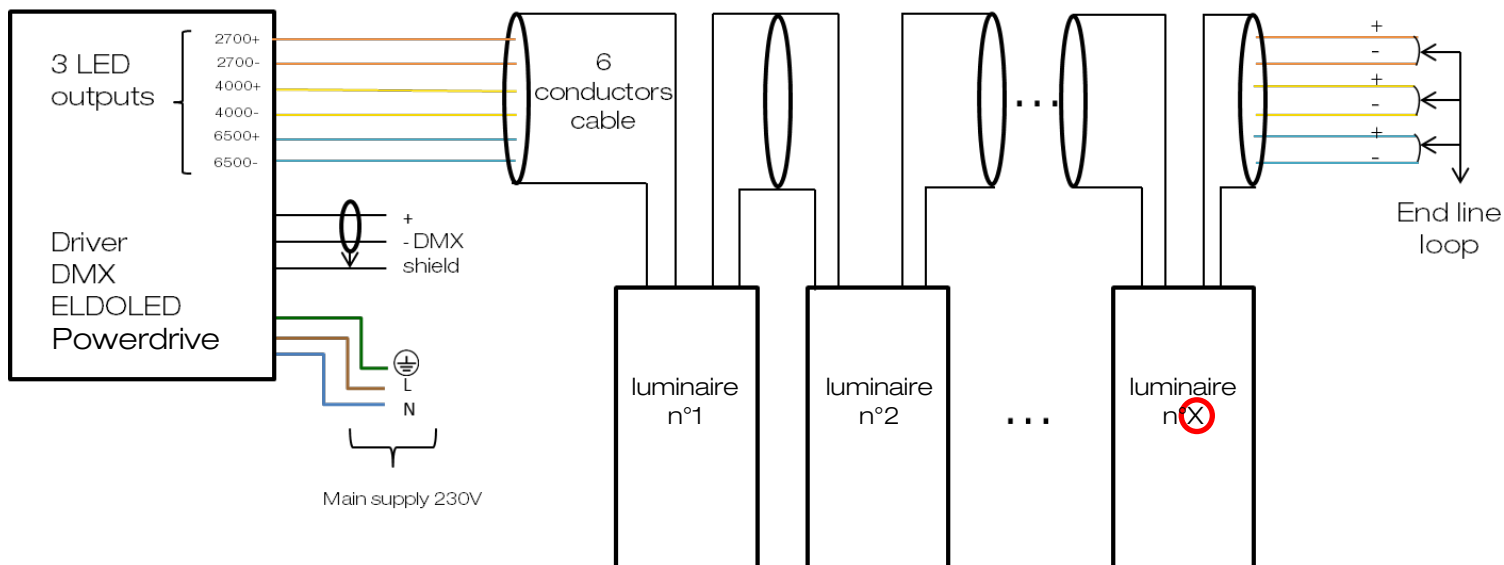
Creation : 2020.01.17 / Last update : 2026.05.06

5/6



AURORE D82 TRIMLESS TUNABLE WHITE 3 COLOR TEMPERATURES

DMX Daisy chain version – Wiring System



Example :

4 LED 2700K 700 mA/12 V 8.4W / luminaire

4 LED 4000K 700mA/12V 8.4W / luminaire

4 LED 6500K 700 mA/12V 8.4W / luminaire

Total 25.2W

Daisy chain version : 2 x 0.5m with 6 conductors

⊗ : according to driver's characteristics
700mA /12V / 25W output / luminaire

Example :

- Driver ELDOLED Powerdrive 100W : Power = 100w Vout < 57V
→ 3 luminaires / driver max.

- Driver ELDOLED Powerdrive 50W : Power = 50W Vout < 55V
→ 2 luminaires / driver max.

All the connections have to be made before powering up,
otherwise the luminaires could be seriously damaged.