

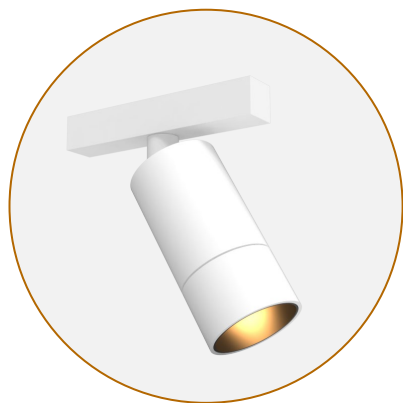
Wouss

Firalux

AURORE ON TRACK

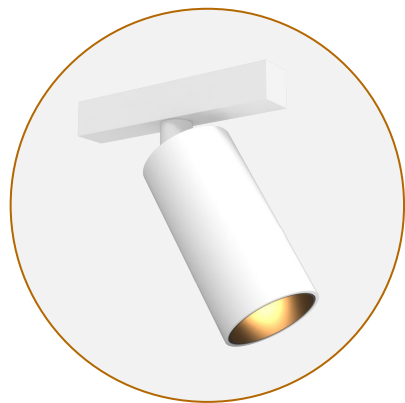


Index



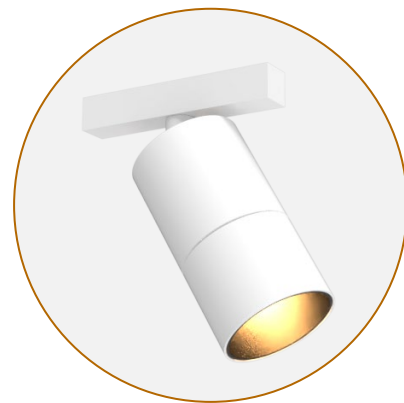
Aurore D40

3



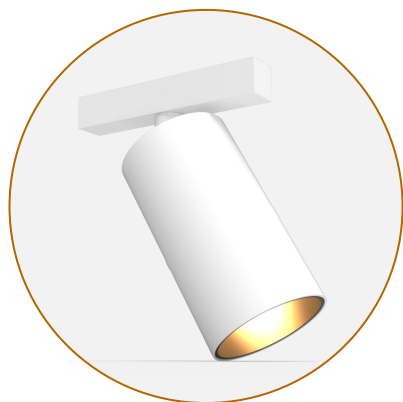
Aurore D42

10



Aurore D52

16



Aurore D55

22



Aurore D60

28

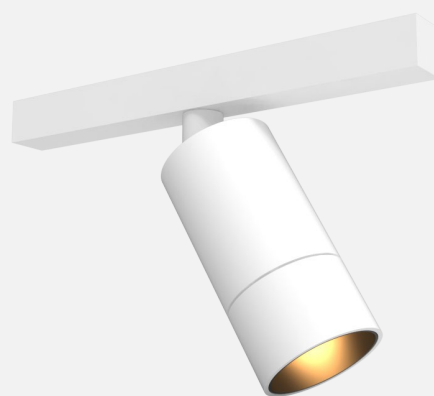


Aurore D82

32



24/48V-S



24/48V DALI

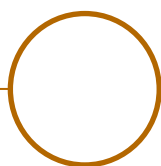


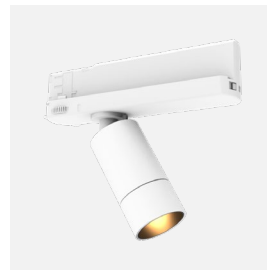
230V



230V DALI

AURORE D40 TRACK





AURORE D40 ON TRACK • 24/48V-S • 24/48V Dali • 230V • 230V Dali

	24/48V-S • DALI 24/48V	230V • DALI 230V
Power supply	Spot adaptator for 24/48V Stucchi Evo System track	230V : Track adapter suitable for Global Trac PRO XTS or similar (ERCO, Trajectoire...) 230V DALI : • Track adapter suitable for Global Trac Pulse, STUCCHI, SLV... • Optional : CASAMBI-DALI gateway (see page 6)
Power	4W to 10W according to version	
Electric class	24/48V tracks : class 3 230V tracks : class 2	
Use limitations	The product must be installed in a ventilated area Any use with an ambient temperature higher than the specified ambient temperature (Ta) would lead to a more rapid mortality of the product and the withdrawal of our guarantees The drivers, if not delivered by LOuss, must be approved before use	
Warranty	Life span : L80B10 at 50,000 hours (80% remaining flux) at 25°C ambient temperature 3-year parts and labour warranty The warranty does not apply to products that have been opened, modified or repaired and does not cover the effects of a wrong connection, careless, abusive handling, overvoltage, lightning injury, as well as the normal wear of the product All products are electrically tested and received a functional burn-in.	

All the connections have to be made before powering up, otherwise the luminaires could be seriously damaged

Last update : 2025.10.30

3/7

LOuss

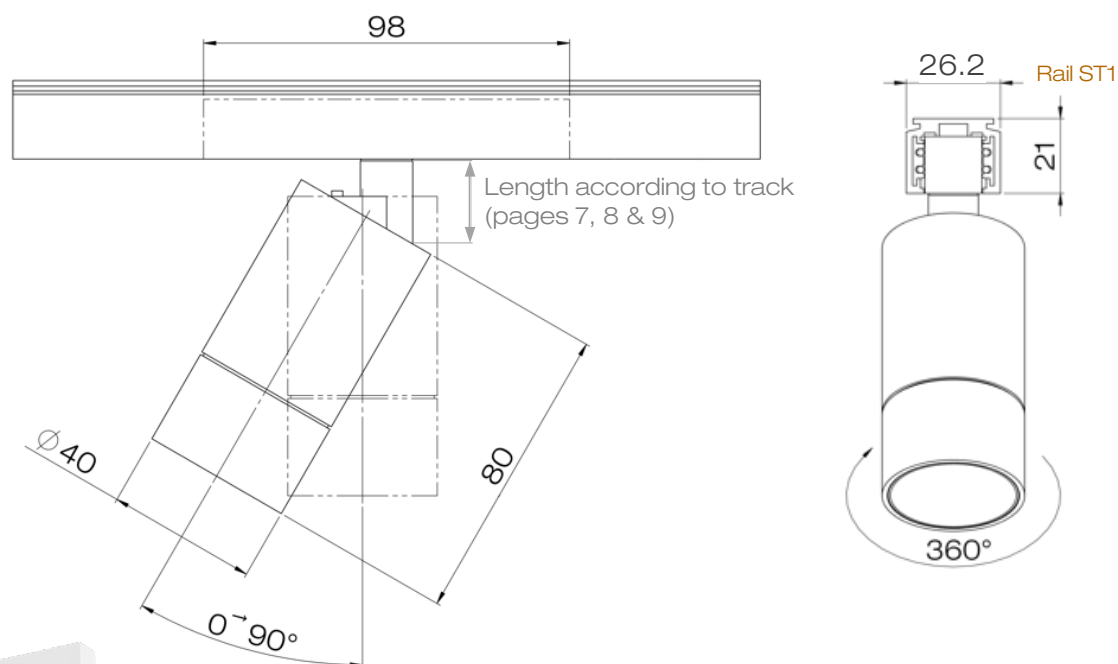
BEST SAS, Capital 200 000€
 RCS Dijon B 408 483 485
 TVA/VAT n° : FR94 408 483 485
 APE 2612Z

Tel. : +33 380 48 65 68
 contact@louss.fr
 www.louss.fr
 Best & LOuss

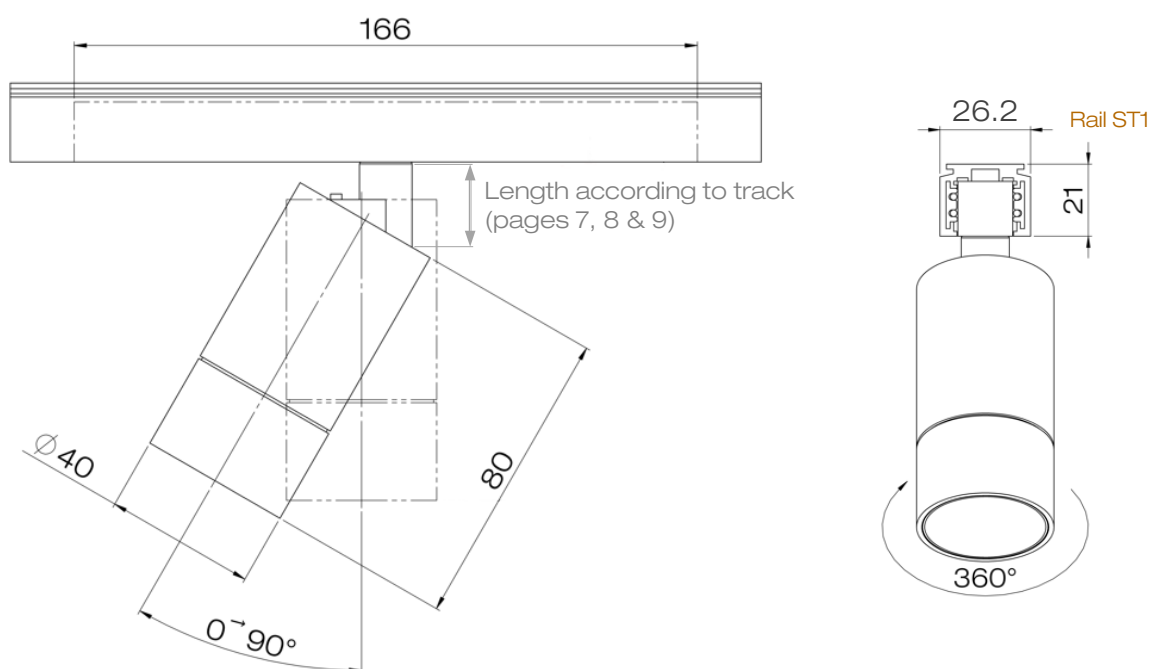
Siège social / Head Office
 PA Les Terres d'Or
 Route de Saint Philibert
 21220 Gevrey Chambertin - FRANCE



AURORE D40 24/48V-S TRACK



AURORE D40 24/48V DALI TRACK



All the connections have to be made before powering up,
otherwise the luminaires could be seriously damaged

LOUSS

Last update : 2025.10.30

4/7

BEST SAS, Capital 200 000€
RCS Dijon B 408 483 485
TVA/VAT n° : FR94 408 483 485
APE 2612Z

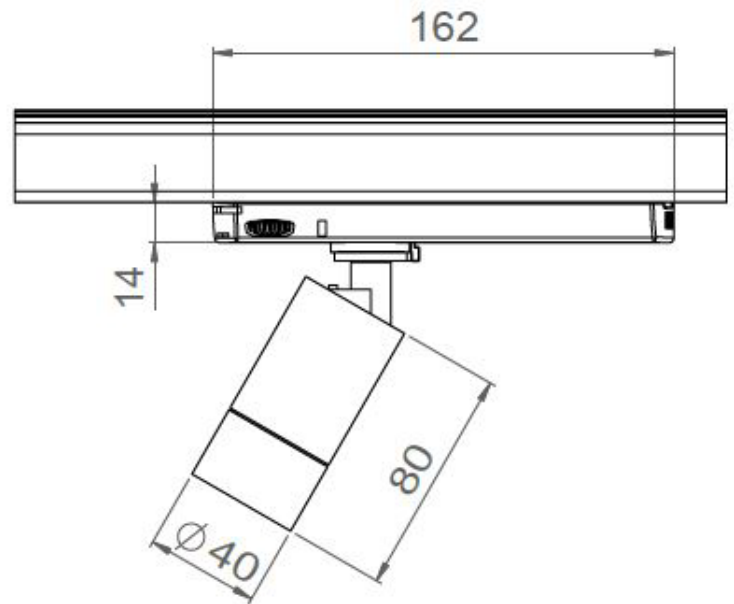
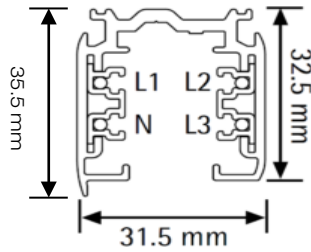
Tel. : +33 380 48 65 68
contact@louss.fr
www.louss.fr
Best & LOUSS

Siège social / Head Office
PA Les Terres d'Or
Route de Saint Philibert
21220 Gevrey Chambertin - FRANCE



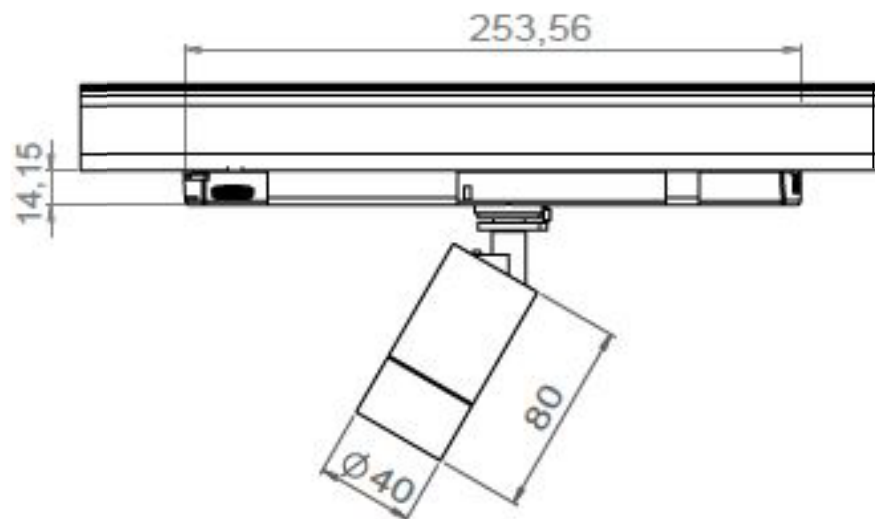
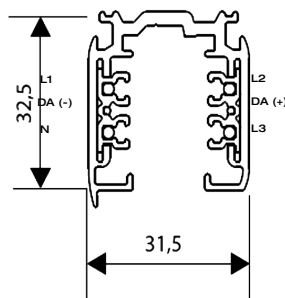
AURORE D40 230V TRACK

Track Global Trac PRO
Warning: Dimensions may vary by a few mms from one manufacturer to another



AURORE D40 230V DALI TRACK

Track DALI Global Trac pulse
Warning: Dimensions may vary by a few mms from one manufacturer to another



All the connections have to be made before powering up,
otherwise the luminaires could be seriously damaged

Last update : 2025.10.30

LOUSS

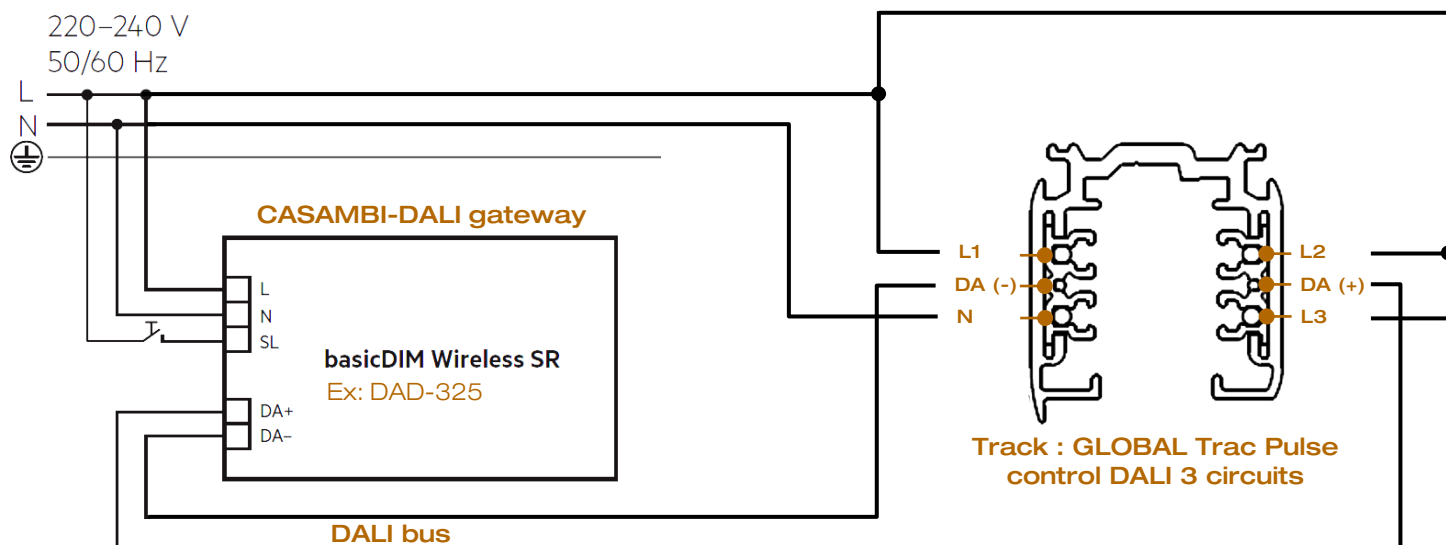
BEST SAS, Capital 200 000€
RCS Dijon B 408 483 485
TVA/VAT n° : FR94 408 483 485
APE 2612Z

Tel. : +33 380 48 65 68
contact@louss.fr
www.louss.fr
Best & LOUSS

Siège social / Head Office
PA Les Terres d'Or
Route de Saint Philibert
21220 Gevrey Chambertin - FRANCE



AURORE D40 230V TRACK CASAMBI-DALI Wiring system



CAUTION : 25 drivers maximum per track

All the connections have to be made before powering up,
otherwise the luminaires could be seriously damaged

LOUSS

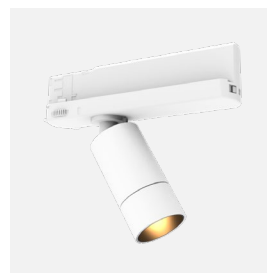
Last update : 2025.10.30

6/7

BEST SAS, Capital 200 000€
RCS Dijon B 408 483 485
TVA/VAT n° : FR94 408 483 485
APE 2612Z

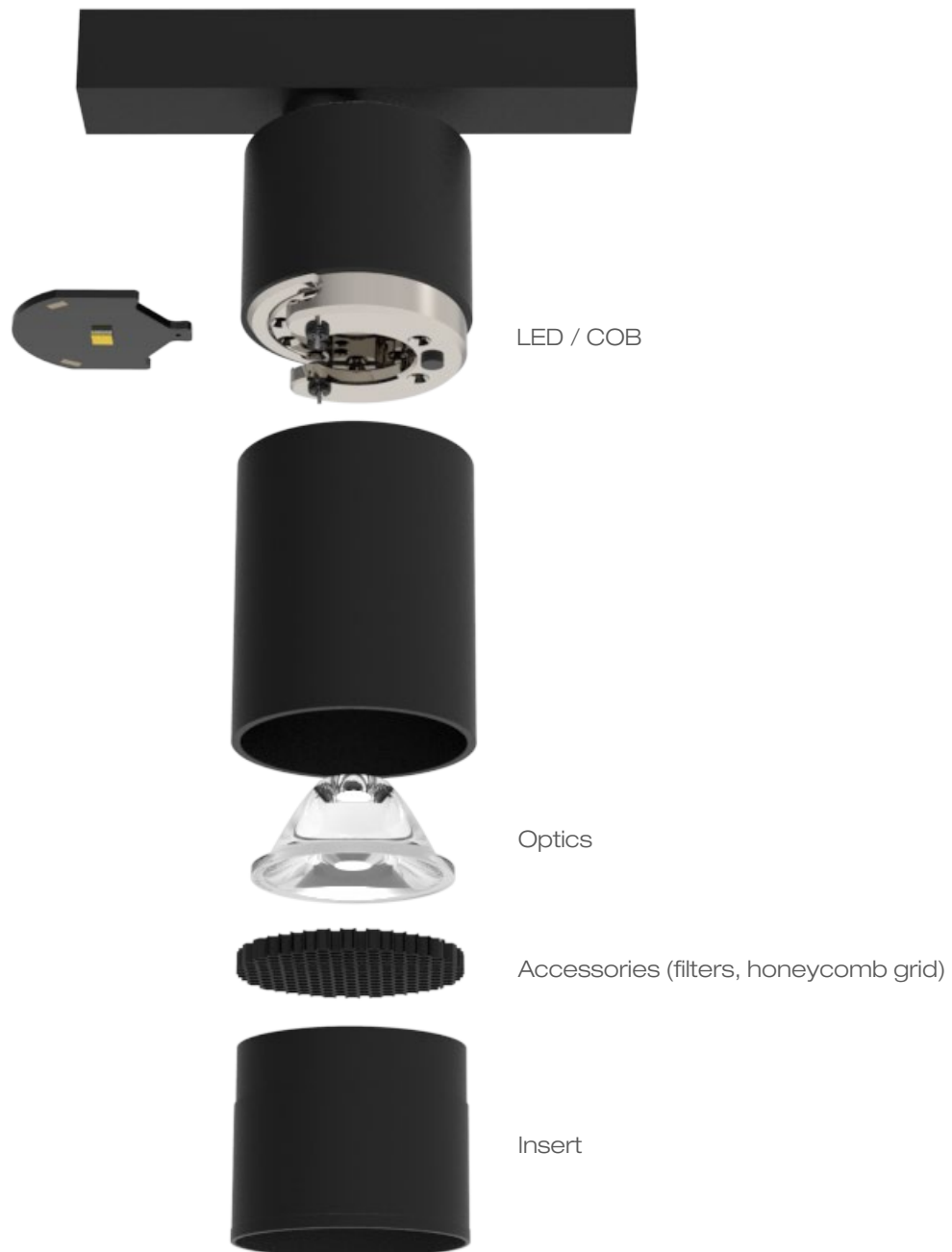
Tel. : +33 380 48 65 68
contact@louss.fr
www.louss.fr
Best & LOUSS

Siège social / Head Office
PA Les Terres d'Or
Route de Saint Philibert
21220 Gevrey Chambertin - FRANCE



AURORE D40 ON TRACK • 24/48V-S • 24/48V Dali • 230V • 230V Dali

Easy swap system



All the connections have to be made before powering up,
otherwise the luminaires could be seriously damaged

Last update : 2025.10.30

LOUSS

BEST SAS, Capital 200 000€
RCS Dijon B 408 483 485
TVA/VAT n° : FR94 408 483 485
APE 2612Z

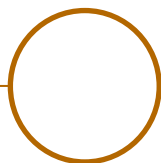
Tel. : +33 380 48 65 68
contact@louss.fr
www.louss.fr
Best & LOUSS

Siège social / Head Office
PA Les Terres d'Or
Route de Saint Philibert
21220 Gevrey Chambertin - FRANCE

7/7



**AURORE D42
ON TRACK**





AUORE D42 ON TRACK • 24/48V-S • 24/48V DALI • 230V • 230V DALI

	24/48V-S • DALI 24/48V	230V • DALI 230V
Power supply	Spot adaptator for 24/48V Stucchi Evo System track	<p>230V : Track adapter suitable for Global Trac PRO XTS or similar (ERCO, Trajectoire...)</p> <p>230V DALI : • Track adapter suitable for Global Trac Pulse, STUCCHI, SLV... • Optional : CASAMBI-DALI gateway (see page 5)</p>
Power	4W to 10W according to version	
Electric class	<p>24/48V tracks : class 3</p> <p>230V tracks : class 2</p>	
Use limitations	<p>The product must be installed in a ventilated area</p> <p>Any use with an ambient temperature higher than the specified ambient temperature (Ta) would lead to a more rapid mortality of the product and the withdrawal of our guarantees</p> <p>The drivers, if not delivered by LOuss, must be approved before use</p>	
Warranty	<p>Life span : L80B10 at 50,000 hours (80% remaining flux) at 25°C ambient temperature</p> <p>3-year parts and labour warranty</p> <p>The warranty does not apply to products that have been opened, modified or repaired and does not cover the effects of a wrong connection, careless, abusive handling, overvoltage, lightning injury, as well as the normal wear of the product</p> <p>All products are electrically tested and received a functional burn-in.</p>	

All the connections have to be made before powering up, otherwise the luminaires could be seriously damaged

LOuss

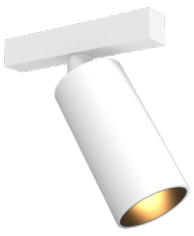
Last update : 2025.10.30

3/6

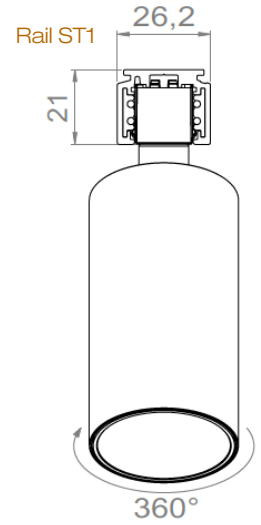
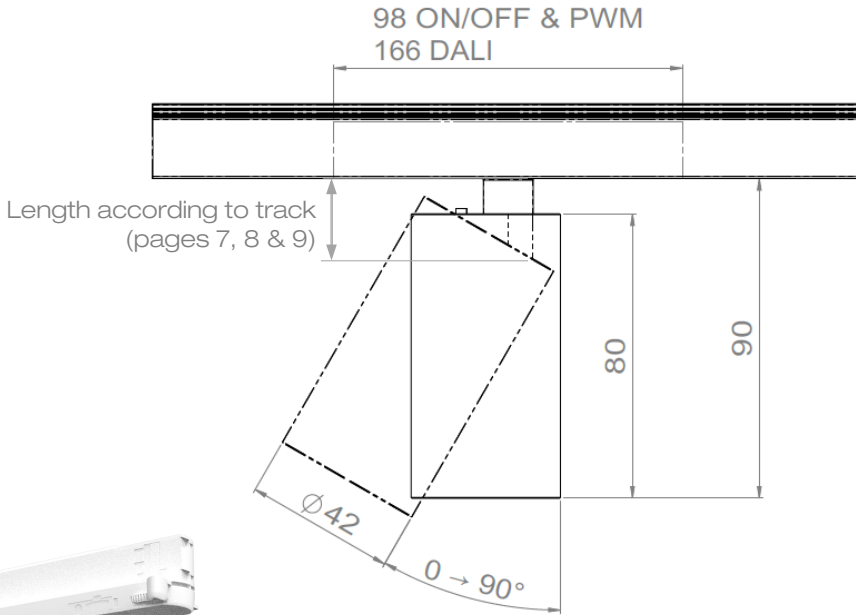
BEST SAS, Capital 200 000€
RCS Dijon B 408 483 485
TVA/VAT n° : FR94 408 483 485
APE 2612Z

Tel. : +33 380 48 65 68
contact@louss.fr
www.louss.fr
Best & LOuss

Siège social / Head Office
PA Les Terres d'Or
Route de Saint Philibert
21220 Gevrey Chambertin - FRANCE

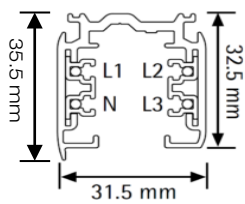


AURORE D42 ON TRACK 24/48V-S • 24/48V DALI

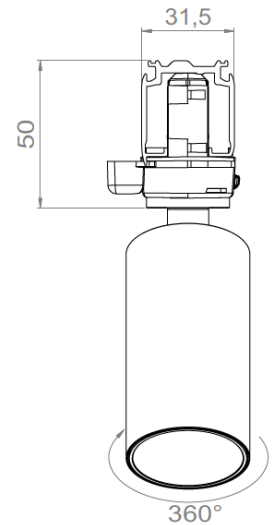
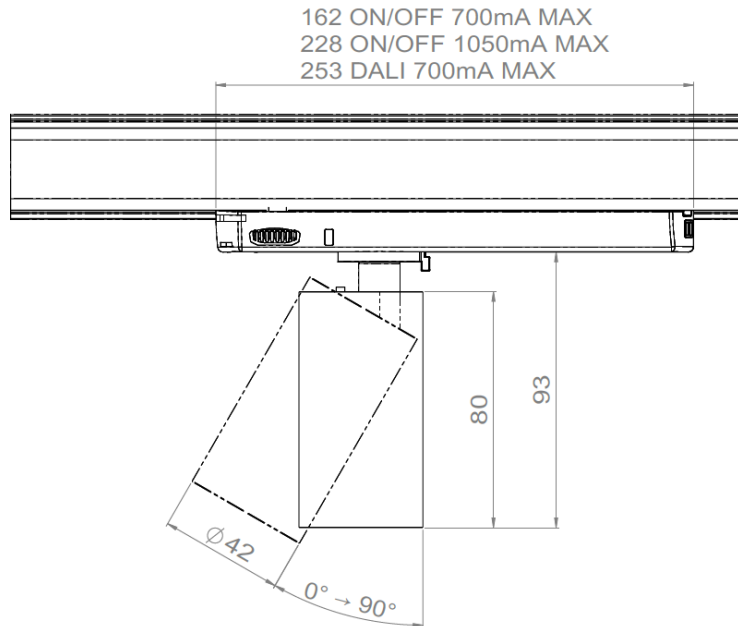
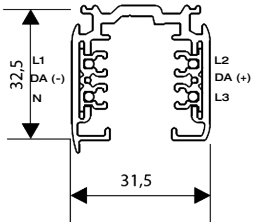


AURORE D42 ON TRACK 230V-S • 230V DALI

Track Global Trac PRO
Warning: Dimensions may vary by a few mms from one manufacturer to another



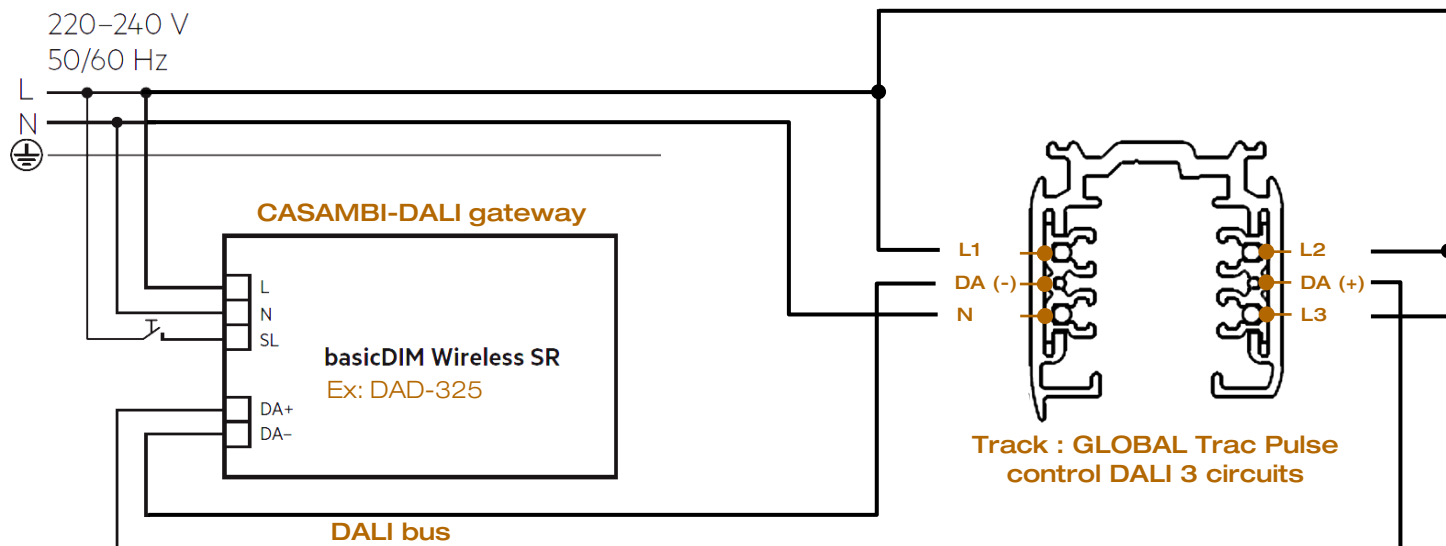
Track DALI Global Trac pulse
Warning: Dimensions may vary by a few mms from one manufacturer to another



All the connections have to be made before powering up, otherwise the luminaires could be seriously damaged



AUORE D42 230V TRACK CASAMBI-DALI Wiring system



CAUTION : 25 drivers maximum per track

All the connections have to be made before powering up,
otherwise the luminaires could be seriously damaged

Last update : 2025.10.30

LOUSS

BEST SAS, Capital 200 000€
RCS Dijon B 408 483 485
TVA/VAT n° : FR94 408 483 485
APE 2612Z

Tel. : +33 380 48 65 68
contact@louss.fr
www.louss.fr
Best & LOUSS

Siège social / Head Office
PA Les Terres d'Or
Route de Saint Philibert
21220 Gevrey Chambertin - FRANCE

5/6



AUORE D42 ON TRACK • 24/48V-S • 24/48V DALI • 230V • 230V DALI

LOuss **Permuto** – Easy swap system



All the connections have to be made before powering up,
otherwise the luminaires could be seriously damaged

Last update : 2025.10.30

6/6

LOuss

BEST SAS, Capital 200 000€
RCS Dijon B 408 483 485
TVA/VAT n° : FR94 408 483 485
APE 2612Z

Tel. : +33 380 48 65 68
contact@louss.fr
www.louss.fr
Best & LOuss

Siège social / Head Office
PA Les Terres d'Or
Route de Saint Philibert
21220 Gevrey Chambertin - FRANCE



AURORE D52 TRACK



AURORE D52 ON TRACK • 24/48V-S • 24/48V Dali • 230V • 230V Dali

Range	Highly flexible spotlight on track for general & accent lighting	
Description	Low luminance Rotation 360° - Adjustable tilt 90°	
Finish	White RAL 9003 matt finish Black RAL 9005 matt finish (other upon request)	
Dimensions	24/48V-S • DALI 24/48V	230V • DALI 230V
	Spotlight Diameter : 52mm Length : 96mm (\leq 13W) 140mm (\leq 20W) Driver's length : 98mm (ON/OFF) 166mm (DALI) Stucchi Evo System Track ST1 : 26.2 x 21mm	Spotlight Diameter : 52mm Length : 96mm (\leq 13W) 140mm (\leq 20W) Driver's length : 162mm (ON/OFF) 253.5mm (DALI) Track Dimensions : 31.5 x 35.5mm
Net weight	24/48V-S • DALI 24/48V	230V • DALI 230V
	Spotlight (driver included) ± 0.270 kg according to version Stucchi Evo System Track ST1 : 0.7 kg/m	Spotlight (driver included) ± 0.5 kg according to version Track ± 1 kg/m
LED characteristics	2700K - 3000K - 3500K - 4000K - 5000K (other upon request) MacAdam ellipse : 3 SDCM (standard) 2 SDCM (premium) CRI 90 - 95 - 98	
Optical beams	7° - 12° - 15° - 20° - 25° - 30° - 35° - Elliptical UGR < 15	
Accessories	Filters, honeycomb grid, chamfered spotlight body upon request	
Luminous flux	24/48V-S • 24/48V DALI	230V • 230V DALI
	600 to 1,200 lumen according to version	600 to 2,000 lumen according to version
Integrated Power supply	24/48V-S • DALI 24/48V	230V • DALI 230V
	Spot adaptor for 24/48V Stucchi Evo System track	230V : Track adapter suitable for Global Trac PRO XTS or similar (ERCO, Trajectoire...) 230V DALI : • Track adapter suitable for Global Trac Pulse, STUCCHI, SLV... • Optional : CASAMBI-DALI gateway (see page 6)

All the connections have to be made before powering up, otherwise the luminaires could be seriously damaged



AUORE D52 ON TRACK • 24/48V-S • 24/48V Dali • 230V • 230V Dali

Power	≤ 18W LED (20W driver included) according to version
Power Consumption	6W to 25W according to version
Electric class	24/48V tracks : class 3 230V tracks : class 2
Use limitations	The product must be installed in a ventilated area Any use with an ambient temperature higher than the specified ambient temperature (Ta) would lead to a more rapid mortality of the product and the withdrawal of our guarantees The drivers, if not delivered by LOuss, must be approved before use
Warranty	Life span : L80B10 at 50,000 hours (80% remaining flux) at 25°C ambient temperature 3-year parts and labour warranty The warranty does not apply to products that have been opened, modified or repaired and does not cover the effects of a wrong connection, careless, abusive handling, overvoltage, lightning injury, as well as the normal wear of the product All products are electrically tested and received a functional burn-in

All the connections have to be made before powering up,
otherwise the luminaires could be seriously damaged

Last update : 2025.10.30

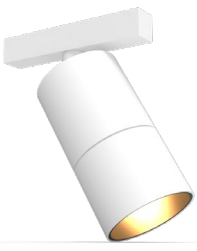
3/6

LOuss

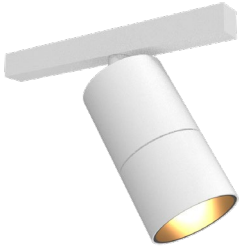
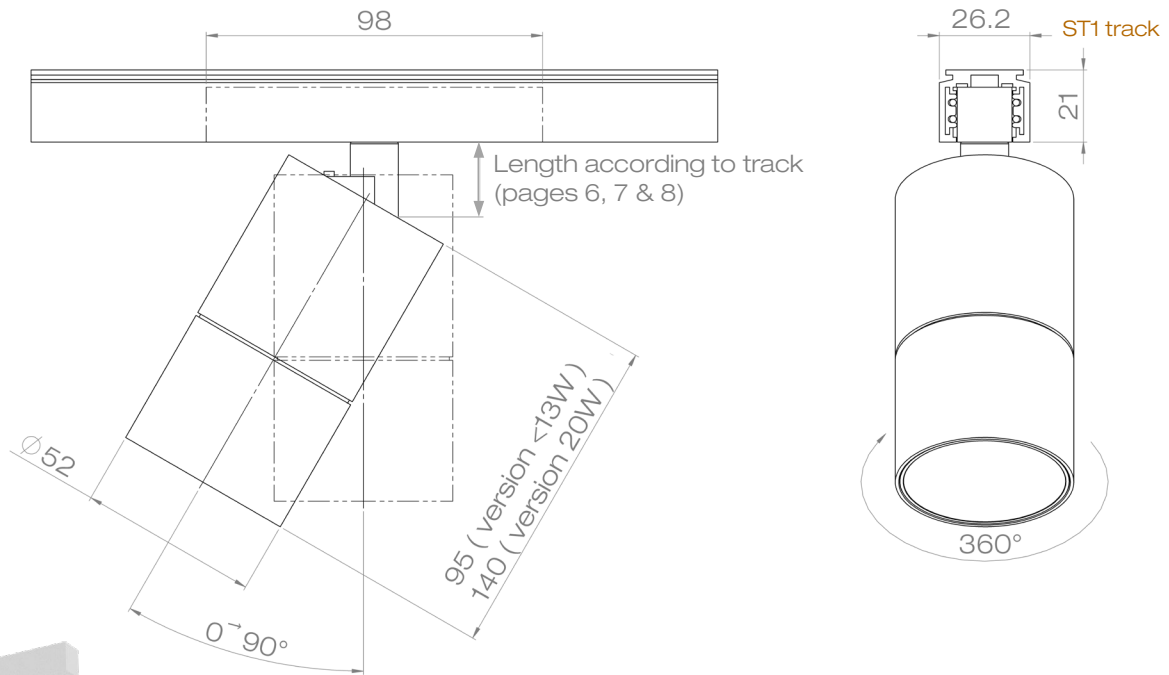
BEST SAS, Capital 200 000€
RCS Dijon B 408 483 485
TVA/VAT n° : FR94 408 483 485
APE 2612Z

Tel. : +33 380 48 65 68
contact@louss.fr
www.louss.fr
Best & LOuss

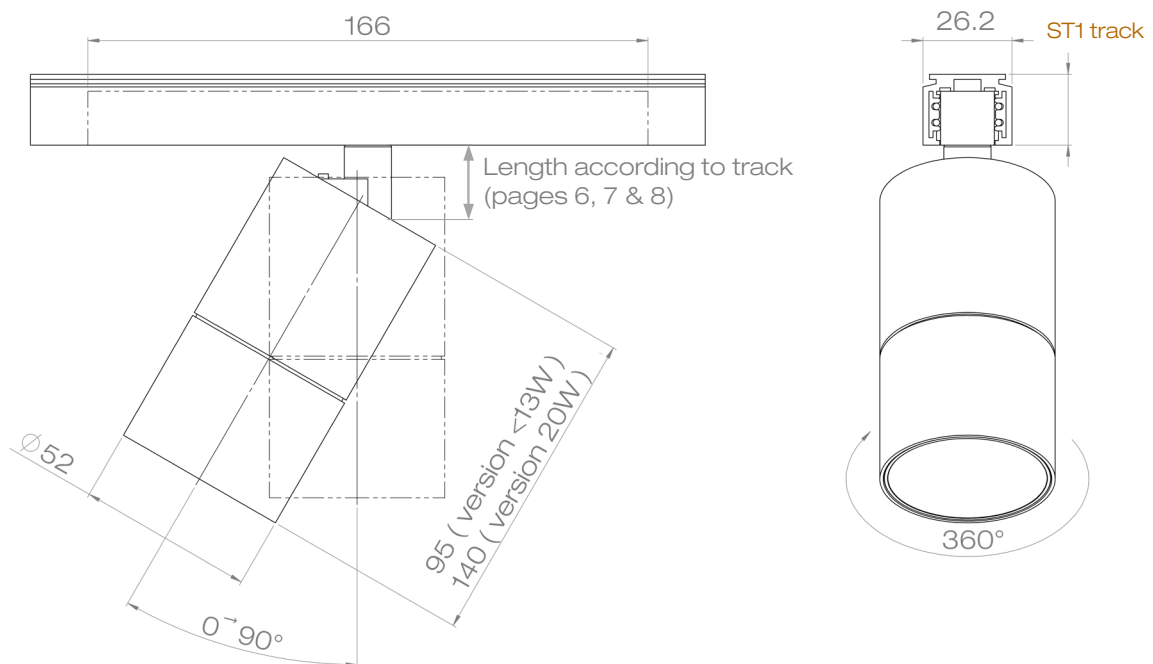
Siège social / Head Office
PA Les Terres d'Or
Route de Saint Philibert
21220 Gevrey Chambertin - FRANCE



AURORE D52 24/48V-S TRACK



AURORE D52 24/48V DALI TRACK



All the connections have to be made before powering up,
otherwise the luminaires could be seriously damaged

Louss

Last update : 2025.10.30

4/6

BEST SAS, Capital 200 000€
RCS Dijon B 408 483 485
TVA/VAT n° : FR94 408 483 485
APE 2612Z

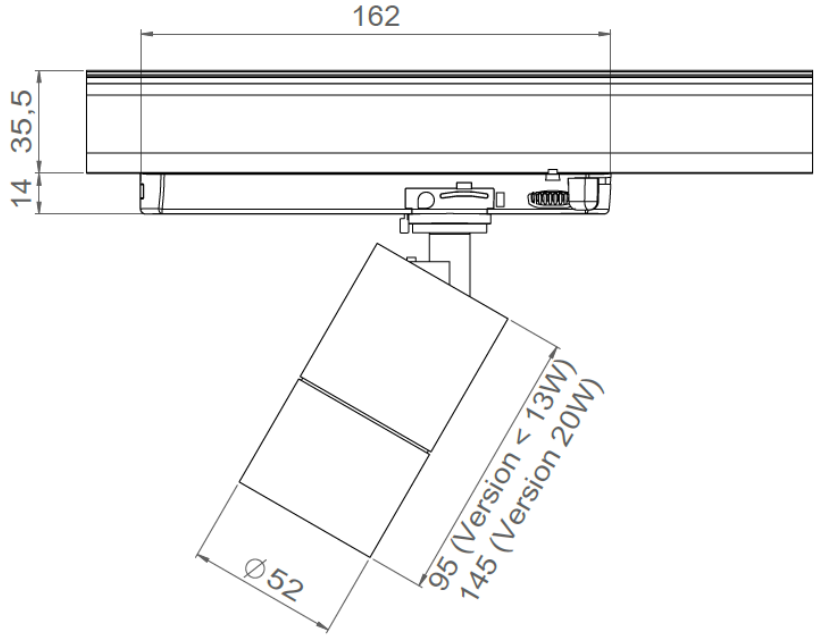
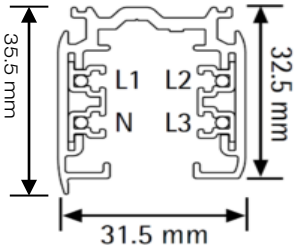
Tel. : +33 380 48 65 68
contact@louss.fr
www.louss.fr
Best & LOUSS

Siège social / Head Office
PA Les Terres d'Or
Route de Saint Philibert
21220 Gevrey Chambertin - FRANCE



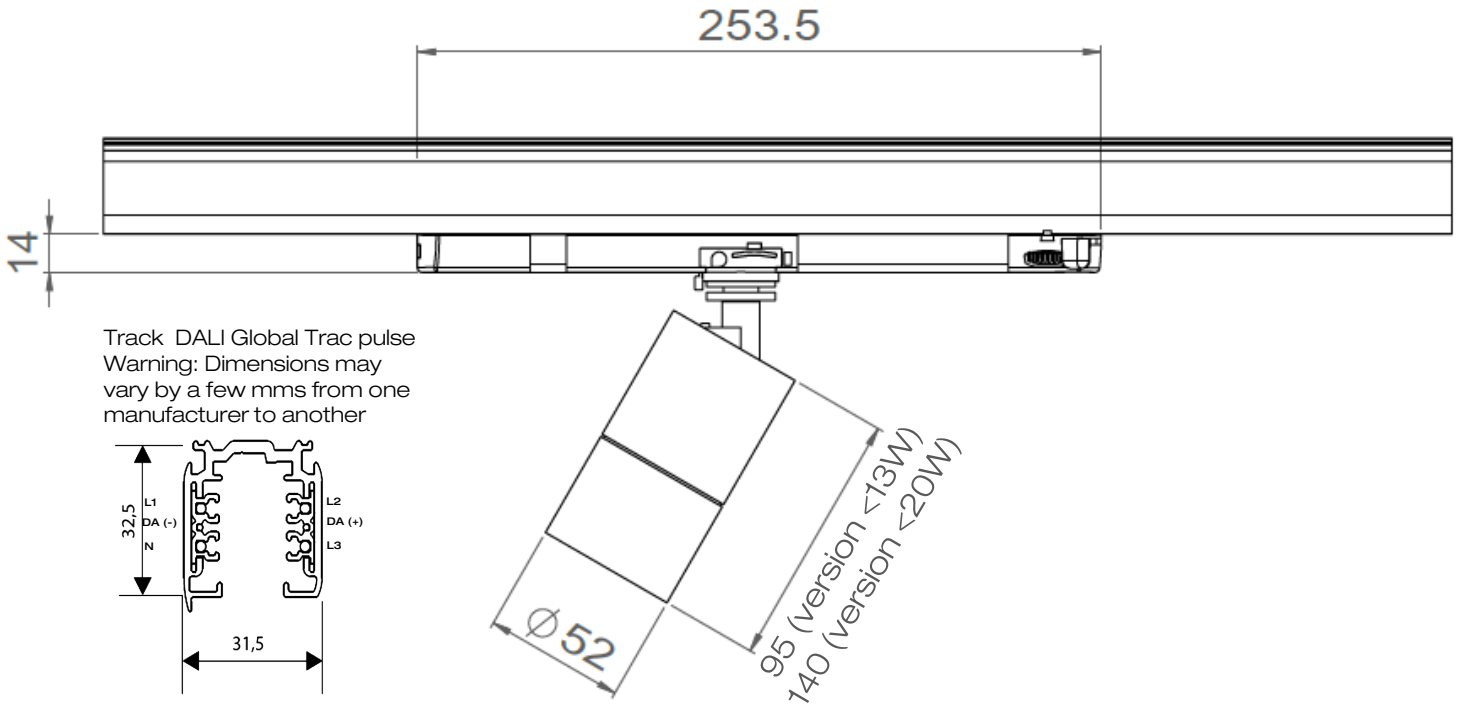
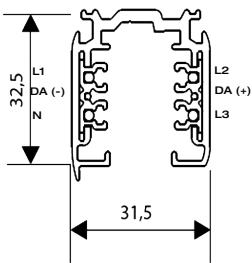
AURORE D52 230V TRACK

Track Global Trac PRO
Warning: Dimensions may vary by a few mms from one manufacturer to another



AURORE D52 230V DALI TRACK

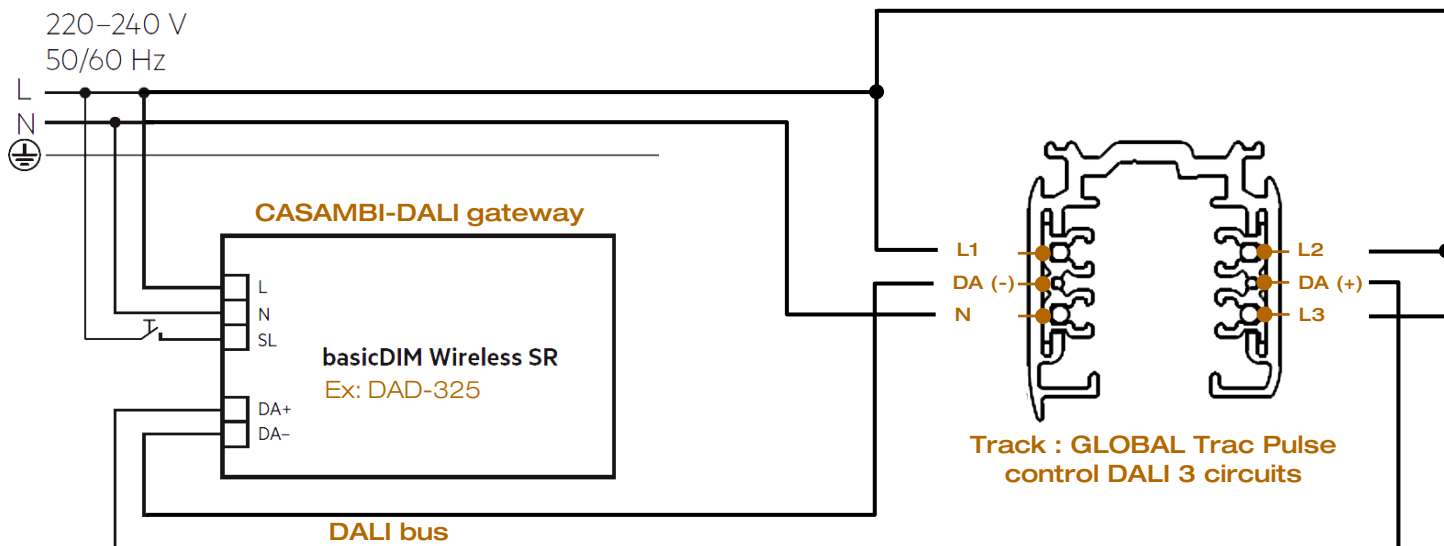
Track DALI Global Trac pulse
Warning: Dimensions may vary by a few mms from one manufacturer to another



All the connections have to be made before powering up, otherwise the luminaires could be seriously damaged



AURORE D52 230V TRACK CASAMBI-DALI Wiring system



CAUTION : 25 drivers maximum per track

All the connections have to be made before powering up,
otherwise the luminaires could be seriously damaged

Last update : 2025.10.30

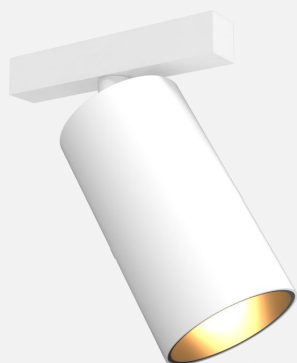
6/6

LOUSS

BEST SAS, Capital 200 000€
RCS Dijon B 408 483 485
TVA/VAT n° : FR94 408 483 485
APE 2612Z

Tel. : +33 380 48 65 68
contact@louss.fr
www.louss.fr
Best & LOUSS

Siège social / Head Office
PA Les Terres d'Or
Route de Saint Philibert
21220 Gevrey Chambertin - FRANCE



24/48V-S



24/48V DALI



230V



230V DALI

AURORE D55 ON TRACK



AURORE D55 ON TRACK • 24/48V-S • 24/48V Dali • 230V • 230V Dali

	24/48V-S • DALI 24/48V	230V • DALI 230V
Power supply	Spot adaptator for 24/48V Stucchi Evo System track	<p>230V : Track adapter suitable for Global Trac PRO XTS or similar (ERCO, Trajectoire...)</p> <p>230V DALI : • Track adapter suitable for Global Trac Pulse, STUCCHI, SLV... • Optional : CASAMBI-DALI gateway (see page 6)</p>
Power	6W to 25W according to version	
Electric class	<p>24/48V tracks : class 3</p> <p>230V tracks : class 2</p>	
Use limitations	<p>The product must be installed in a ventilated area</p> <p>Any use with an ambient temperature higher than the specified ambient temperature (Ta) would lead to a more rapid mortality of the product and the withdrawal of our guarantees</p> <p>The drivers, if not delivered by LOuss, must be approved before use</p>	
Warranty	<p>Life span : L80B10 at 50,000 hours (80% remaining flux) at 25°C ambient temperature</p> <p>3-year parts and labour warranty</p> <p>The warranty does not apply to products that have been opened, modified or repaired and does not cover the effects of a wrong connection, careless, abusive handling, overvoltage, lightning injury, as well as the normal wear of the product</p> <p>All products are electrically tested and received a functional burn-in.</p>	

All the connections have to be made before powering up,
otherwise the luminaires could be seriously damaged

LOuss

Last update : 2025.10.30

3/6

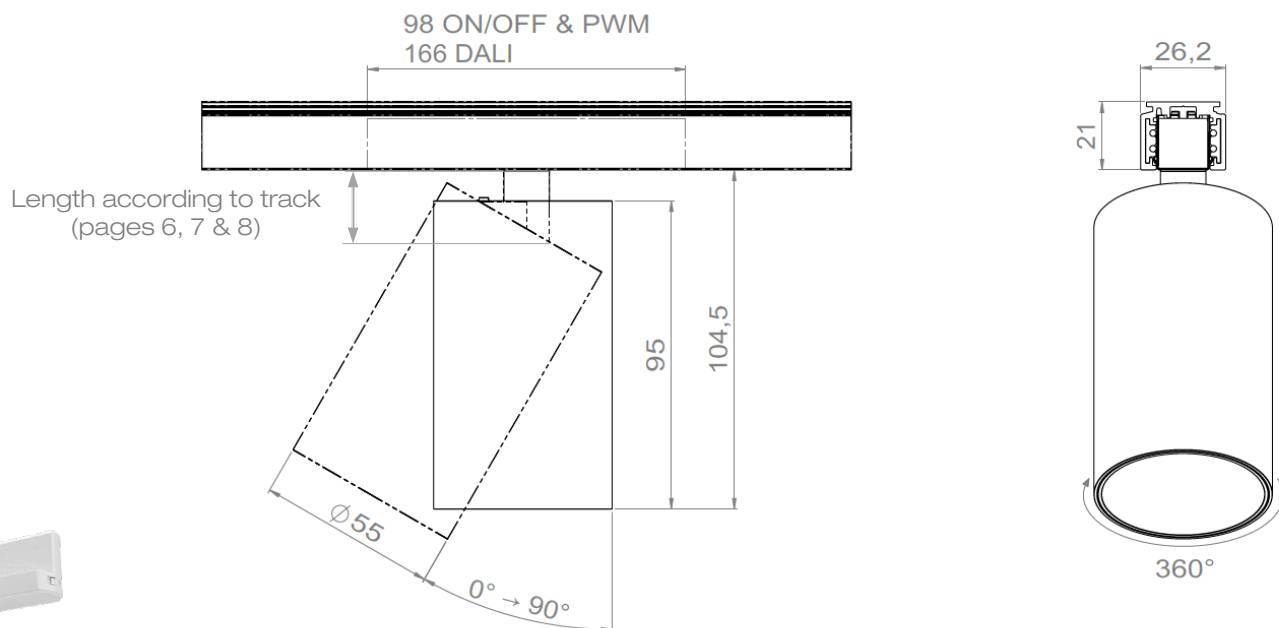
BEST SAS, Capital 200 000€
RCS Dijon B 408 483 485
TVA/VAT n° : FR94 408 483 485
APE 2612Z

Tel. : +33 380 48 65 68
contact@louss.fr
www.louss.fr
Best & LOuss

Siège social / Head Office
PA Les Terres d'Or
Route de Saint Philibert
21220 Gevrey Chambertin - FRANCE

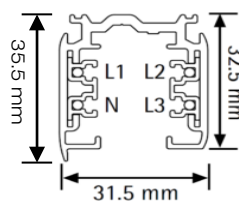


AURORE D55 ON TRACK 24/48V-S • 24/48V DALI

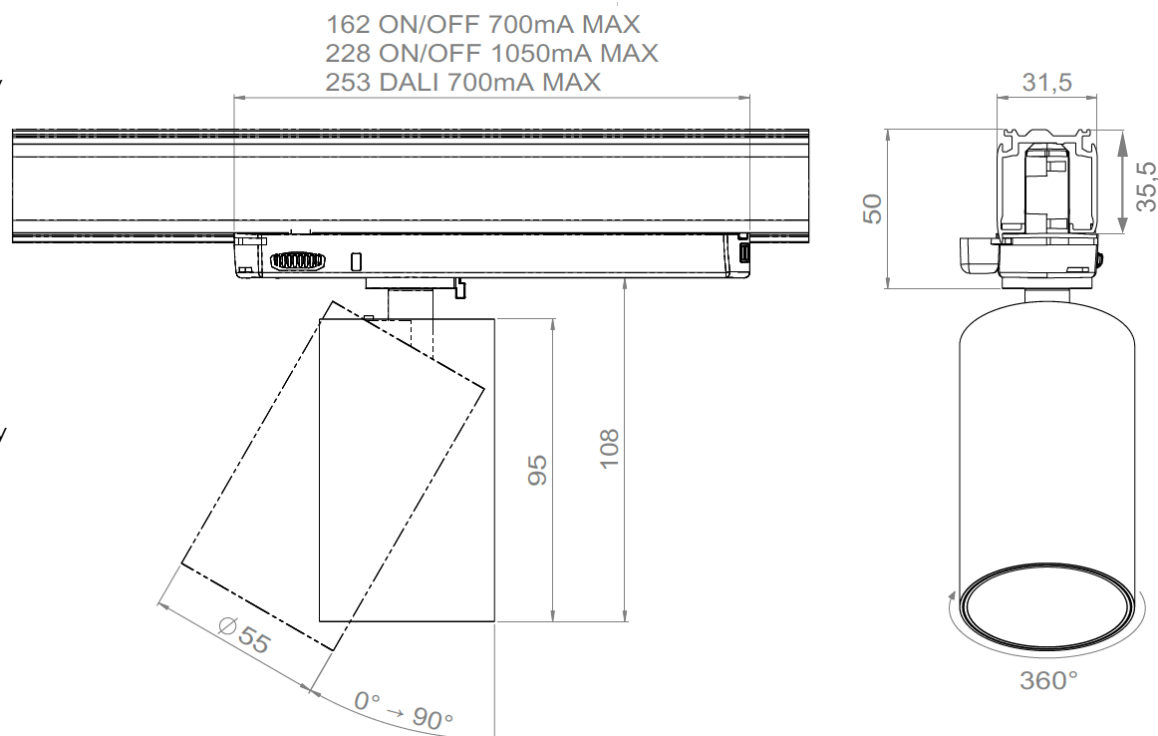
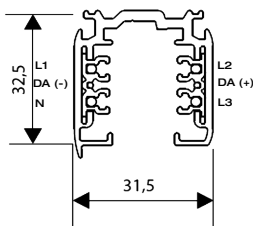


AURORE D55 ON TRACK 230V • 230V DALI

Track Global Trac PRO
Warning: Dimensions may vary
by a few mms from one
manufacturer to another



Track DALI Global Trac pulse
Warning: Dimensions may vary
by a few mms from one
manufacturer to another



All the connections have to be made before powering up,
otherwise the luminaires could be seriously damaged

Louss

Last update : 2025.10.30

4/6

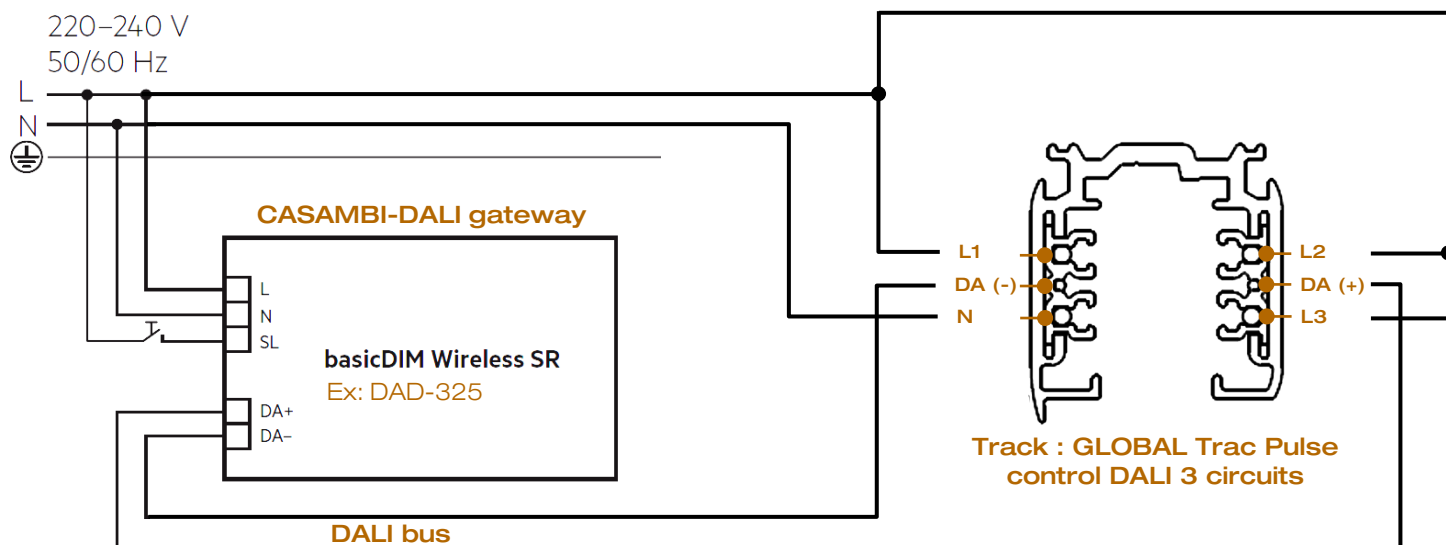
BEST SAS, Capital 200 000€
RCS Dijon B 408 483 485
TVA/VAT n° : FR94 408 483 485
APE 2612Z

Tel. : +33 380 48 65 68
contact@louss.fr
www.louss.fr
Best & LOUSS

Siège social / Head Office
PA Les Terres d'Or
Route de Saint Philibert
21220 Gevrey Chambertin - FRANCE



AURORE D55 230V TRACK CASAMBI-DALI Wiring system



CAUTION : 25 drivers maximum per track

All the connections have to be made before powering up,
otherwise the luminaires could be seriously damaged



AUORE D55 ON TRACK • 24/48V-S • 24/48V Dali • 230V • 230V Dali

LOuss **Permuto** – Easy swap system



LED / COB

Optics

Accessories (filters, honeycomb grid)

Spotlight body

All the connections have to be made before powering up,
otherwise the luminaires could be seriously damaged

LOuss

Last update : 2025.10.30

6/6

BEST SAS, Capital 200 000€
RCS Dijon B 408 483 485
TVA/VAT n° : FR94 408 483 485
APE 2612Z

Tel. : +33 380 48 65 68
contact@louss.fr
www.louss.fr
Best & LOuss

Siège social / Head Office
PA Les Terres d'Or
Route de Saint Philibert
21220 Gevrey Chambertin - FRANCE



AURORE D60 ON TRACK



AURORE D60

230V TRACK

230V DALI TRACK

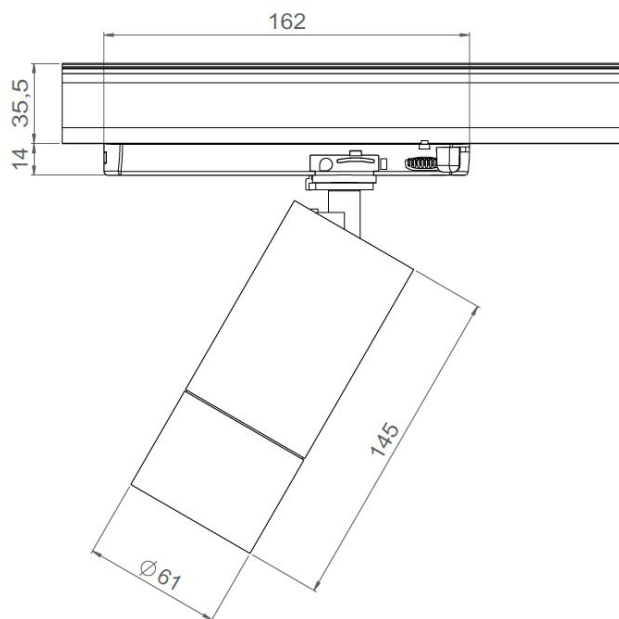
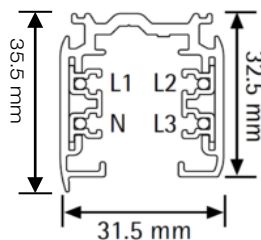
Range	Highly flexible spotlight on track for general & accent lighting	
Description	Low luminance Rotation 360° - Adjustable tilt 90°	
Finish	White RAL 9003 matt finish Black RAL 9005 matt finish (other upon request)	
Dimensions	230V	230V DALI
	Spotlight diameter : 61mm Spotlight length : 145mm Driver length : 162mm Track dimensions : 31.5 x 32.5mm	Spotlight diameter : 61mm Spotlight length : 145mm Driver length : 228mm Track dimensions : 31.5 x 32.5mm
Net weight	± 0.5 kg according to version	
LED characteristics	2700K - 3000K - 3500K - 4000K - 5000K (other upon request) MacAdam ellipse : 3 SDCM (standard) 2 SDCM (premium) CRI 90 (standard version) - CRI 95, R9 > 90 (premium version)	
Optical beams	7° - 12° - 15° - 20° - 25° - 30° - 35° - Elliptical UGR < 15	
Accessories	Filters, honeycomb grid upon request	
Luminous flux	600 to 2,000 lumen according to version	
Power supply	230V	230V DALI
	Track adapter suitable for Global Trac PRO XTS or similar (ERCO, Trajectoire...)	Track adapter suitable for Global Trac Pulse, STUCCHI, SLV... Optional : CASAMBI-DALI gateway (see page 4)
Power	6W to 25W according to version	
Use limitations	The product must be installed in a ventilated area Any use with an ambient temperature higher than the specified ambient temperature (Ta) would lead to a more rapid mortality of the product and the withdrawal of our guarantees The drivers, if not delivered by LOuss, must be approved before use	
Warranty	Life span : L80B10 at 50,000 hours (80% remaining flux) at 25°C ambient temperature 3-year parts and labour warranty The warranty does not apply to products that have been opened, modified or repaired and does not cover the effects of a wrong connection, careless, abusive handling, overvoltage, lightning injury, as well as the normal wear of the product All products are electrically tested and received a functional burn-in	

All the connections have to be made before powering up,
otherwise the luminaires could be seriously damaged



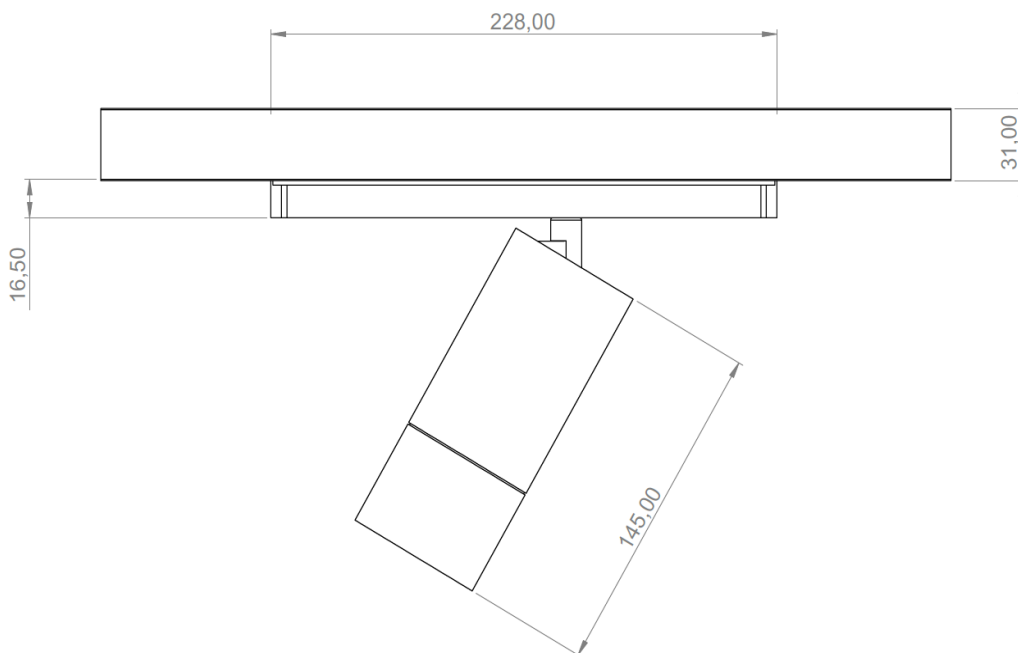
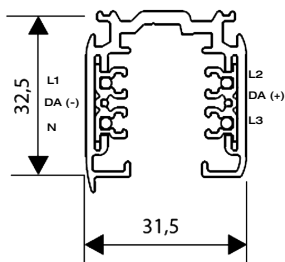
AURORE D60 ON TRACK 230V

Global Trac PRO 3-circuits track
Warning: Dimensions may vary
by a few mms from one
manufacturer to another



AURORE D60 ON TRACK 230V DALI

Track DALI Global Trac pulse
Warning: Dimensions may vary
by a few mms from one
manufacturer to another



All the connections have to be made before powering up,
otherwise the luminaires could be seriously damaged

LOUSS

Last update : 2025.09.25

3/4

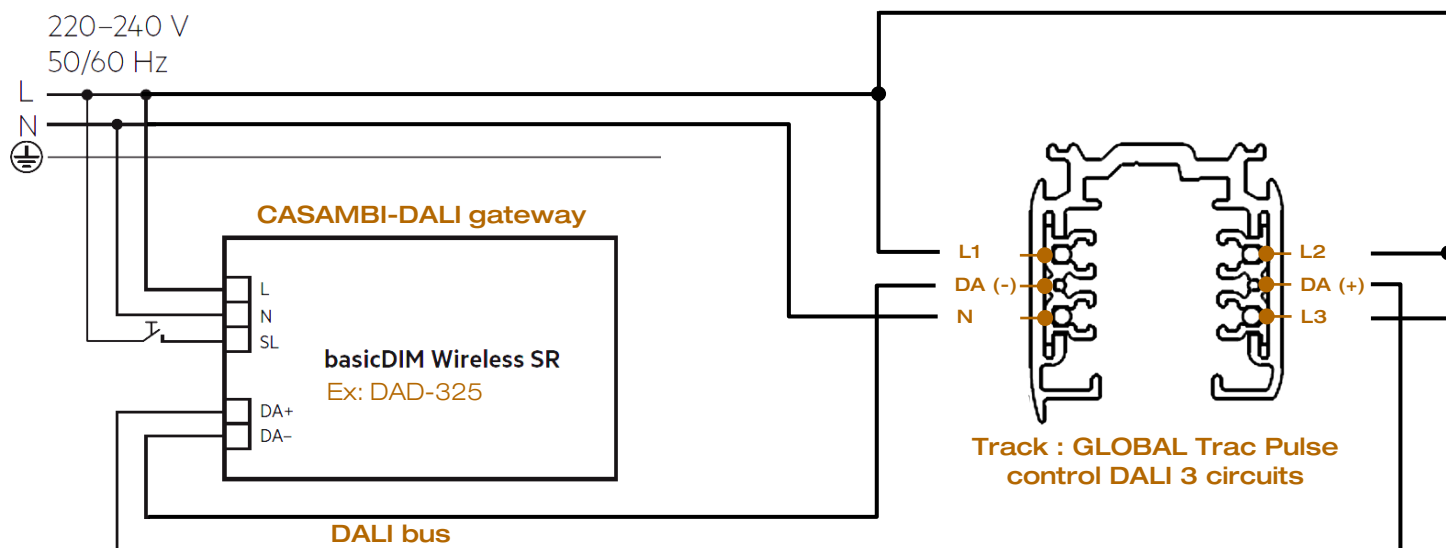
BEST SAS, Capital 200 000€
RCS Dijon B 408 483 485
TVA/VAT n° : FR94 408 483 485
APE 2612Z

Tel. : +33 380 48 65 68
contact@louss.fr
www.louss.fr
Best & LOUSS

Siège social / Head Office
PA Les Terres d'Or
Route de Saint Philibert
21220 Gevrey Chambertin - FRANCE



AURORE D60 230V TRACK CASAMBI-DALI Wiring system



CAUTION : 25 drivers maximum per track

All the connections have to be made before powering up,
otherwise the luminaires could be seriously damaged

Last update : 2025.09.25

LOUSS

BEST SAS, Capital 200 000€
RCS Dijon B 408 483 485
TVA/VAT n° : FR94 408 483 485
APE 2612Z

Tel. : +33 380 48 65 68
contact@louss.fr
www.louss.fr
Best & LOUSS

Siège social / Head Office
PA Les Terres d'Or
Route de Saint Philibert
21220 Gevrey Chambertin - FRANCE



AURORE D82 ON TRACK

**AURORE D82****230V TRACK****230V DALI TRACK**

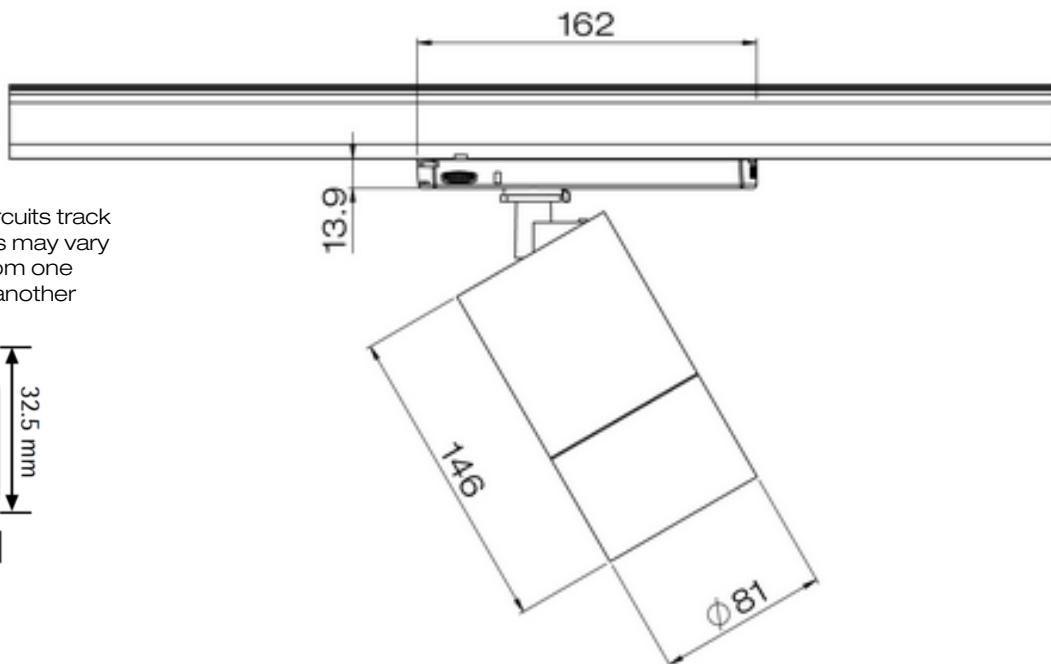
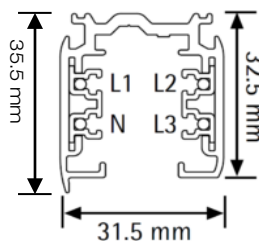
Range	Highly flexible spotlight on track for general & accent lighting	
Description	Low luminance 1 LED or 3 LEDs versions Rotation 360° - Adjustable tilt 90°	
Finish	White RAL 9003 matt finish Black RAL 9005 matt finish (other upon request)	
Dimensions	230V	230V DALI
	Spotlight diameter : 81mm Spotlight length : 146mm Driver length : 162mm Track dimensions : 31.5 x 32.5mm	Spotlight diameter : 81mm Spotlight length : 146mm Driver length : 253.5mm Track dimensions : 31.5 x 32.5mm
Net weight	± 0.8 kg according to version	
LED characteristics	2700K - 3000K - 3500K - 4000K - 5000K (other upon request) Trio version : 2700K + 4000K + 6500K (no tunable white) MacAdam ellipse : 3 SDCM (standard) 2 SDCM (premium) CRI 90 (standard version) - CRI 95, R9 > 90 (premium version)	
Optical beams	7° - 12° - 15° - 25° - 30° - 40° - Elliptical UGR < 15	
Accessories	Filters, honeycomb grid upon request	
Luminous flux	700 to 2,500 lumen according to version	
Power supply	230V	230V DALI
	Track adapter suitable for Global Trac PRO XTS or similar (ERCO, Trajectoire...)	Track adapter suitable for Global Trac Pulse, STUCCHI, SLV... Optional : CASAMBI-DALI gateway (see page 4)
Power	15W to 30W according to version	
Use limitations	The product must be installed in a ventilated area. Any use with an ambient temperature higher than the specified ambient temperature (Ta) would lead to a more rapid mortality of the product and the withdrawal of our guarantees. The drivers, if not delivered by LOuss, must be approved before use	
Warranty	Life span : L80B10 at 50,000 hours (80% remaining flux) at 25°C ambient temperature. 3-year parts and labour warranty. The warranty does not apply to products that have been opened, modified or repaired and does not cover the effects of a wrong connection, careless, abusive handling, overvoltage, lightning injury, as well as the normal wear of the product. All products are electrically tested and received a functional burn-in	

All the connections have to be made before powering up,
otherwise the luminaires could be seriously damaged



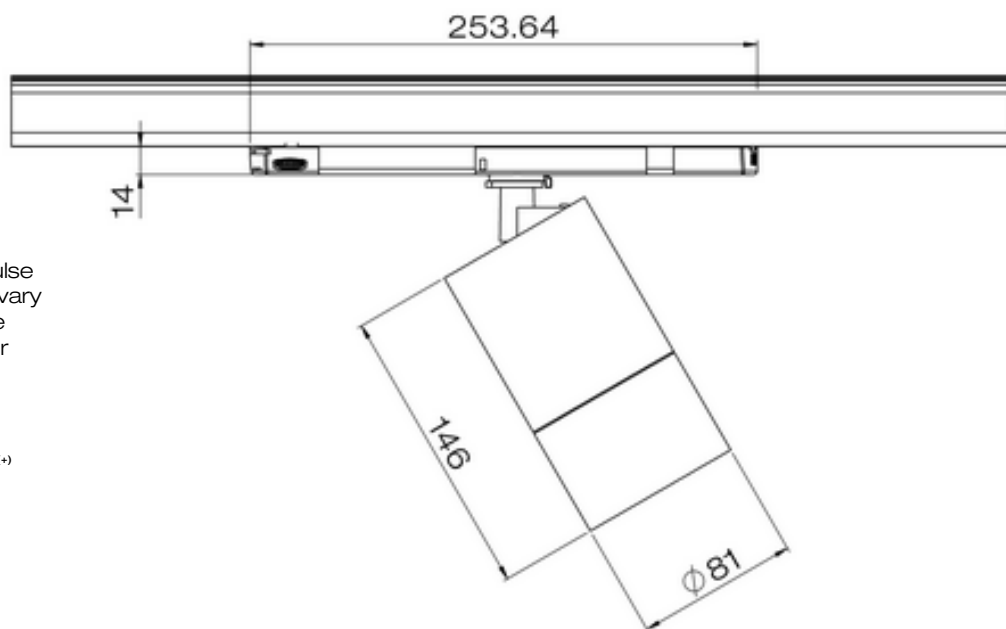
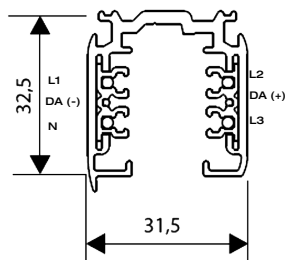
AUORE D82 ON TRACK 230V

Global Trac PRO 3-circuits track
Warning: Dimensions may vary
by a few mms from one
manufacturer to another



AUORE D82 ON TRACK 230V DALI

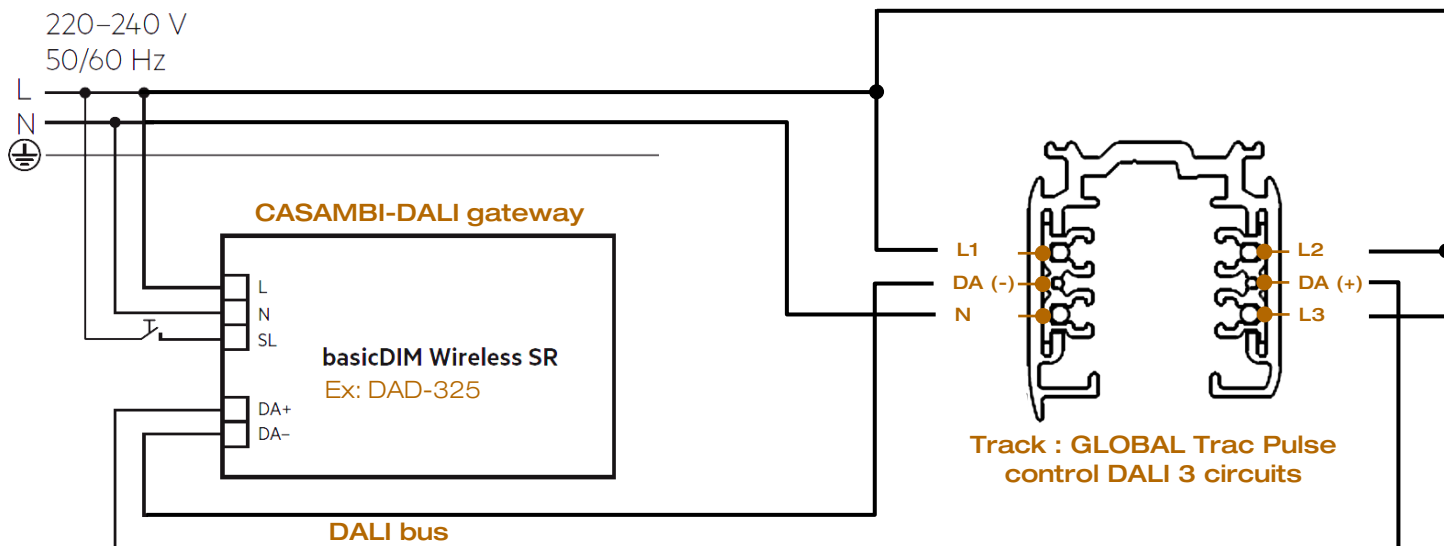
Track DALI Global Trac pulse
Warning: Dimensions may vary
by a few mms from one
manufacturer to another



All the connections have to be made before powering up,
otherwise the luminaires could be seriously damaged



AURORE D82 230V TRACK CASAMBI-DALI Wiring system



CAUTION : 25 drivers maximum per track

All the connections have to be made before powering up,
otherwise the luminaires could be seriously damaged