



# AURORE D55 ON TRACK





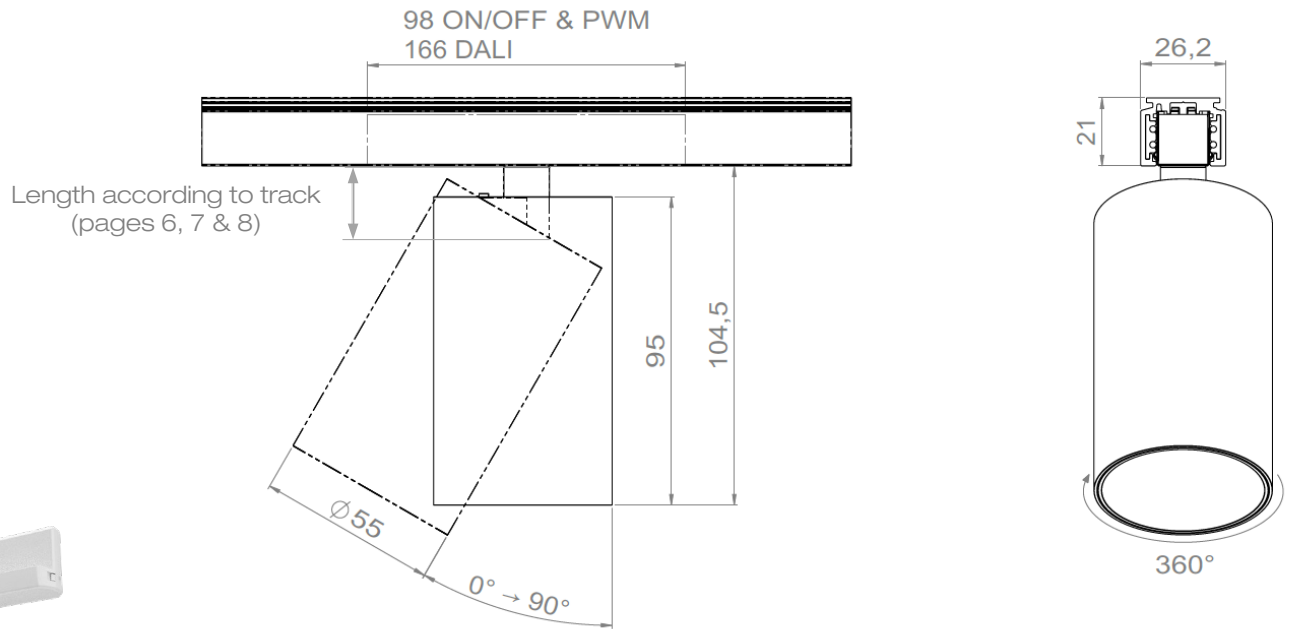
**AURORE D55 ON TRACK • 24/48V-S • 24/48V Dali • 230V • 230V Dali**

<b>Power supply</b>	<b>24/48V-S • DALI 24/48V</b>	<b>230V • DALI 230V</b>
	Spot adaptator for 24/48V Stucchi Evo System track	<p><b>230V</b> : Track adapter suitable for Global Trac PRO XTS or similar (ERCO, Trajectoire...)</p> <p><b>230V DALI</b> : • Track adapter suitable for Global Trac Pulse, STUCCHI, SLV... • <b>Optional</b> : CASAMBI-DALI gateway (see page 6)</p>
<b>Power</b>	6W to 25W according to version	
<b>Electric class</b>	<p><b>24/48V tracks</b> : class 3</p> <p><b>230V tracks</b> : class 2</p>	
<b>Use limitations</b>	<p>The product must be installed in a ventilated area</p> <p>Any use with an ambient temperature higher than the specified ambient temperature (Ta) would lead to a more rapid mortality of the product and the withdrawal of our guarantees</p> <p>The drivers, if not delivered by LOuss, must be approved before use</p>	
<b>Warranty</b>	<p>Life span : L80B10 at 50,000 hours (80% remaining flux) at 25°C ambient temperature</p> <p>3-year parts and labour warranty</p> <p>The warranty does not apply to products that have been opened, modified or repaired and does not cover the effects of a wrong connection, careless, abusive handling, overvoltage, lightning injury, as well as the normal wear of the product</p> <p>All products are electrically tested and received a functional burn-in.</p>	

All the connections have to be made before powering up, otherwise the luminaires could be seriously damaged

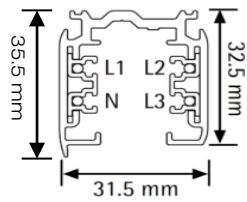


## AURORE D55 ON TRACK 24/48V-S • 24/48V DALI

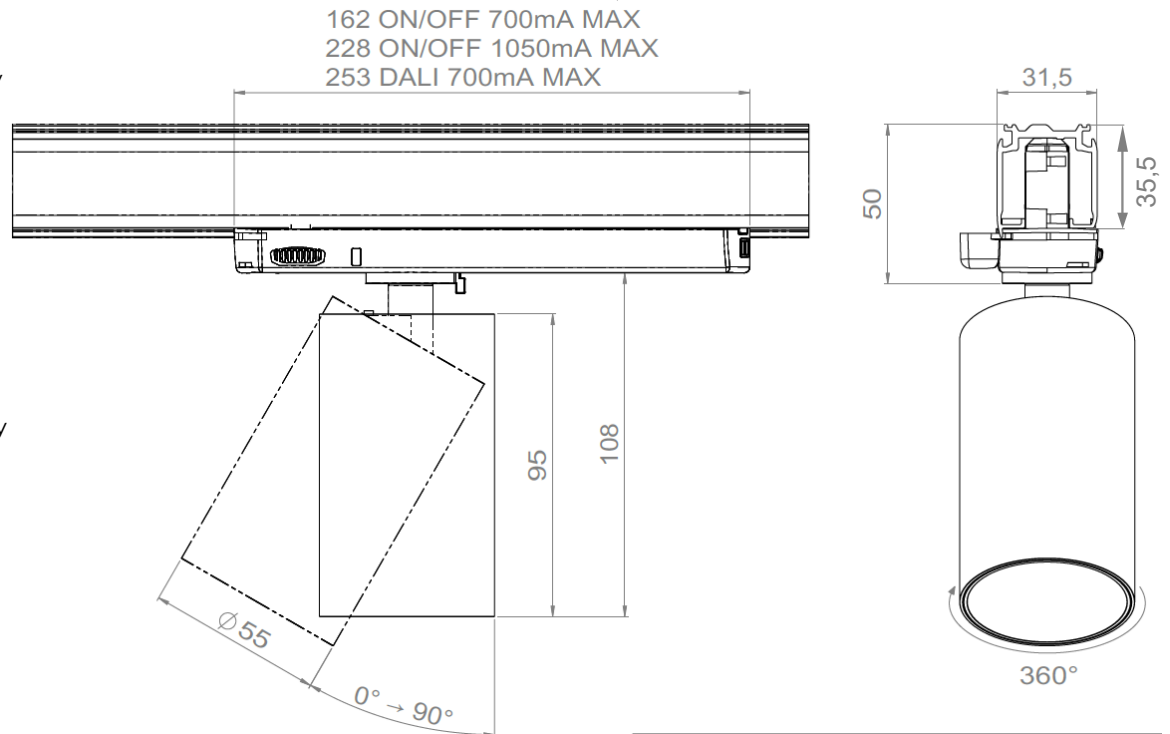
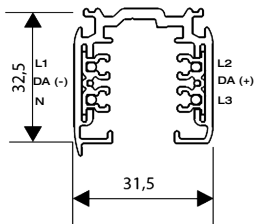


## AURORE D55 ON TRACK 230V • 230V DALI

Track Global Trac PRO  
Warning: Dimensions may vary by a few mms from one manufacturer to another



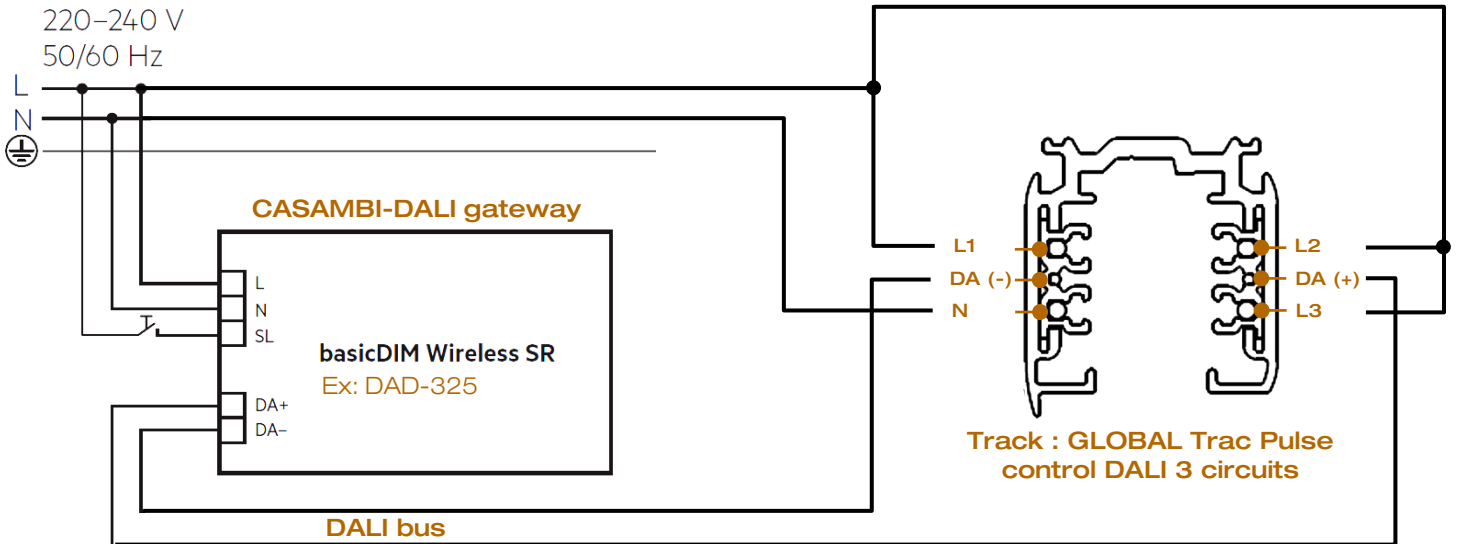
Track DALI Global Trac pulse  
Warning: Dimensions may vary by a few mms from one manufacturer to another



All the connections have to be made before powering up,  
otherwise the luminaires could be seriously damaged



# AURORE D55 230V TRACK CASAMBI-DALI Wiring system



CAUTION : 25 drivers maximum per track

All the connections have to be made before powering up,  
otherwise the luminaires could be seriously damaged



**AUORE D55 ON TRACK • 24/48V-S • 24/48V Dali • 230V • 230V Dali**

LOuss **Permuto** – Easy swap system



LED / COB

Optics

Accessories (filters, honeycomb grid)

Spotlight body

All the connections have to be made before powering up,  
otherwise the luminaires could be seriously damaged

LOuss

Last update : 2025.10.30

6/6

BEST SAS, Capital 200 000€  
RCS Dijon B 408 483 485  
TVA/VAT n° : FR94 408 483 485  
APE 2612Z

Tel. : +33 380 48 65 68  
contact@louss.fr  
[www.louss.fr](http://www.louss.fr)  
Best & LOuss

Siège social / Head Office  
PA Les Terres d'Or  
Route de Saint Philibert  
21220 Gevrey Chambertin - FRANCE