



AURORE D52 TRACK



AUORE D52 ON TRACK • 24/48V-S • 24/48V Dali • 230V • 230V Dali

Range	Highly flexible spotlight on track for general & accent lighting	
Description	Low luminance Rotation 360° - Adjustable tilt 90°	
Finish	White RAL 9003 matt finish Black RAL 9005 matt finish (other upon request)	
Dimensions	24/48V-S • DALI 24/48V	230V • DALI 230V
	Spotlight Diameter : 52mm Length : 96mm (≤ 13W) 140mm (≤ 20W) Driver's length : 98mm (ON/OFF) 166mm (DALI) Stucchi Evo System Track ST1 : 26.2 x 21mm	Spotlight Diameter : 52mm Length : 96mm (≤ 13W) 140mm (≤ 20W) Driver's length : 162mm (ON/OFF) 253.5mm (DALI) Track Dimensions : 31.5 x 35.5mm
Net weight	24/48V-S • DALI 24/48V	230V • DALI 230V
	Spotlight (driver included) ± 0.270 kg according to version Stucchi Evo System Track ST1 : 0.7 kg/m	Spotlight (driver included) ± 0.5 kg according to version Track ± 1 kg/m
LED characteristics	2700K - 3000K - 3500K - 4000K - 5000K (other upon request) MacAdam ellipse : 3 SDCM (standard) 2 SDCM (premium) CRI 90 - 95 - 98	
Optical beams	7° - 12° - 15° - 20° - 25° - 30° - 35° - Elliptical UGR < 15	
Accessories	Filters, honeycomb grid, chamfered spotlight body upon request	
Luminous flux	24/48V-S • 24/48V DALI	230V • 230V DALI
	600 to 1,200 lumen according to version	600 to 2,000 lumen according to version
Integrated Power supply	24/48V-S • DALI 24/48V	230V • DALI 230V
	Spot adaptor for 24/48V Stucchi Evo System track	230V : Track adapter suitable for Global Trac PRO XTS or similar (ERCO, Trajectoire...) 230V DALI : • Track adapter suitable for Global Trac Pulse, STUCCHI, SLV... • Optional : CASAMBI-DALI gateway (see page 6)

All the connections have to be made before powering up, otherwise the luminaires could be seriously damaged



AUORE D52 ON TRACK • 24/48V-S • 24/48V Dali • 230V • 230V Dali

Power	≤ 18W LED (20W driver included) according to version
Power Consumption	6W to 25W according to version
Electric class	24/48V tracks : class 3 230V tracks : class 2
Use limitations	The product must be installed in a ventilated area Any use with an ambient temperature higher than the specified ambient temperature (Ta) would lead to a more rapid mortality of the product and the withdrawal of our guarantees The drivers, if not delivered by LOuss, must be approved before use
Warranty	Life span : L80B10 at 50,000 hours (80% remaining flux) at 25°C ambient temperature 3-year parts and labour warranty The warranty does not apply to products that have been opened, modified or repaired and does not cover the effects of a wrong connection, careless, abusive handling, overvoltage, lightning injury, as well as the normal wear of the product All products are electrically tested and received a functional burn-in

All the connections have to be made before powering up,
otherwise the luminaires could be seriously damaged

Last update : 2025.10.30

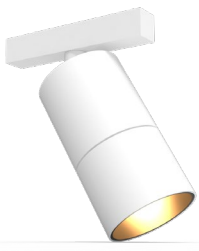
3/6

LOuss

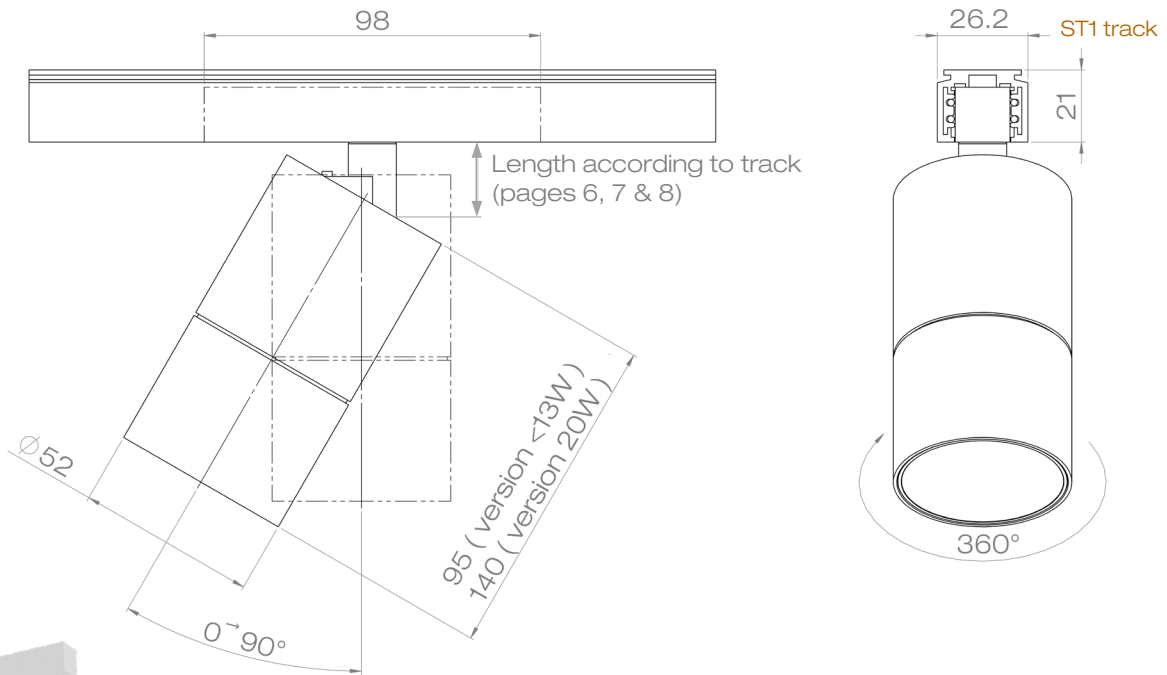
BEST SAS, Capital 200 000€
RCS Dijon B 408 483 485
TVA/VAT n° : FR94 408 483 485
APE 2612Z

Tel. : +33 380 48 65 68
contact@louss.fr
www.louss.fr
Best & LOuss

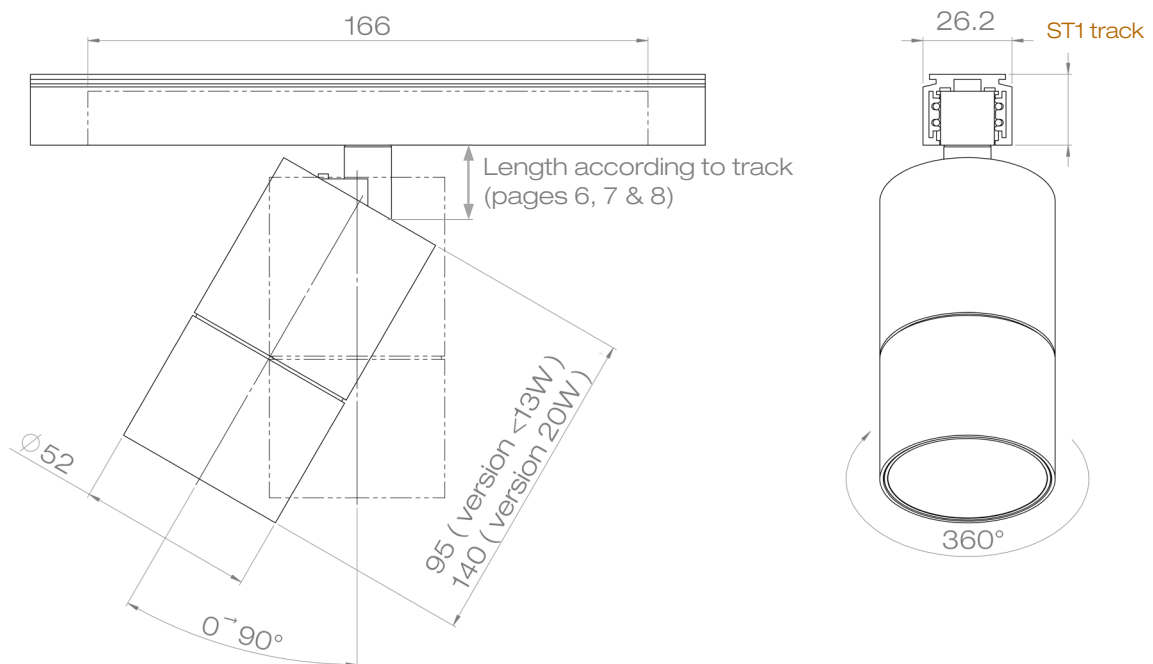
Siège social / Head Office
PA Les Terres d'Or
Route de Saint Philibert
21220 Gevrey Chambertin - FRANCE



AURORE D52 24/48V-S TRACK



AURORE D52 24/48V DALI TRACK



All the connections have to be made before powering up,
otherwise the luminaires could be seriously damaged

Louss

Last update : 2025.10.30

4/6

BEST SAS, Capital 200 000€
RCS Dijon B 408 483 485
TVA/VAT n° : FR94 408 483 485
APE 2612Z

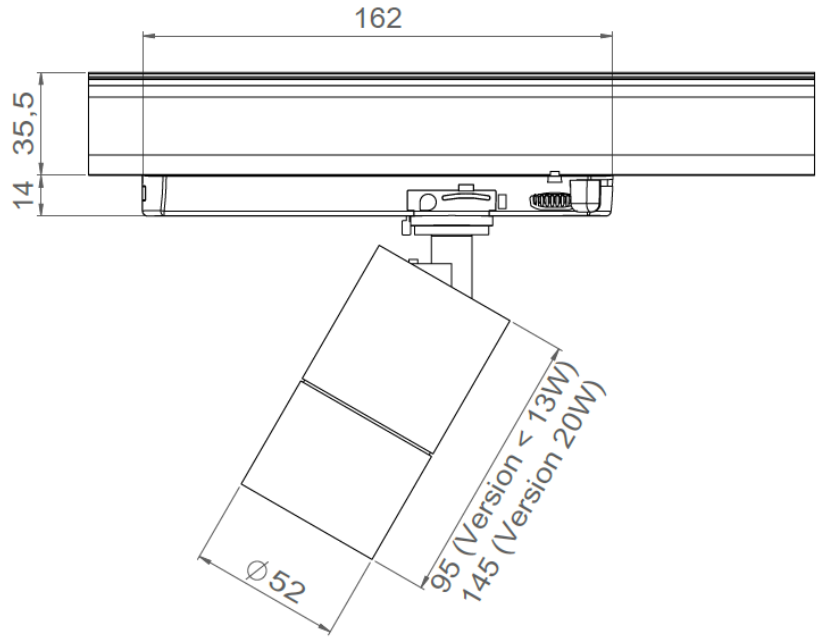
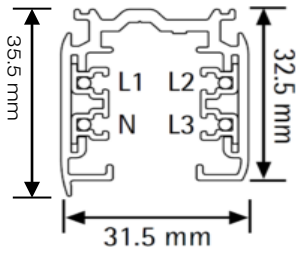
Tel. : +33 380 48 65 68
contact@louss.fr
www.louss.fr
Best & LOUSS

Siège social / Head Office
PA Les Terres d'Or
Route de Saint Philibert
21220 Gevrey Chambertin - FRANCE



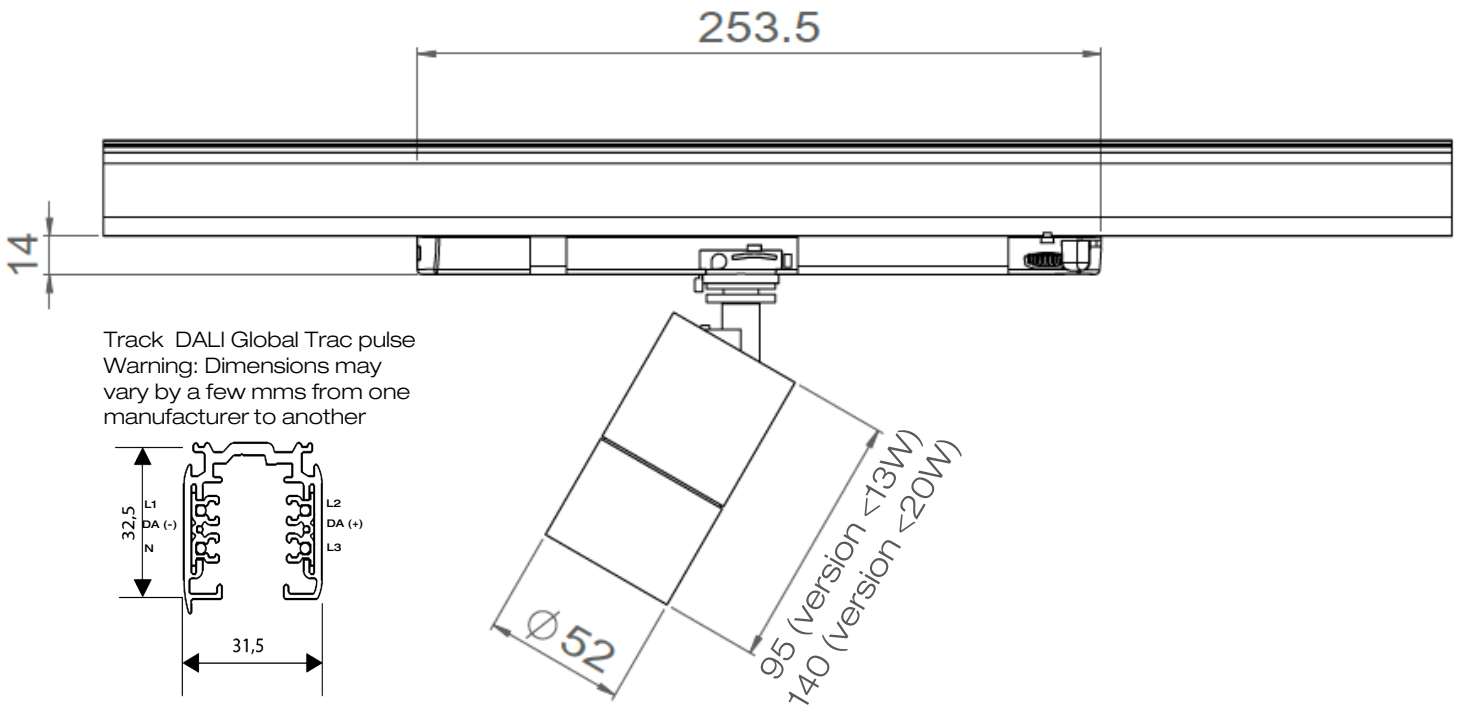
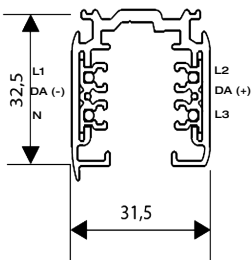
AURORE D52 230V TRACK

Track Global Trac PRO
Warning: Dimensions may vary by a few mms from one manufacturer to another



AURORE D52 230V DALI TRACK

Track DALI Global Trac pulse
Warning: Dimensions may vary by a few mms from one manufacturer to another



All the connections have to be made before powering up,
otherwise the luminaires could be seriously damaged

Louss

BEST SAS, Capital 200 000€
RCS Dijon B 408 483 485
TVA/VAT n° : FR94 408 483 485
APE 2612Z

Tel. : +33 380 48 65 68
contact@louss.fr
www.louss.fr
Best & LOUSS

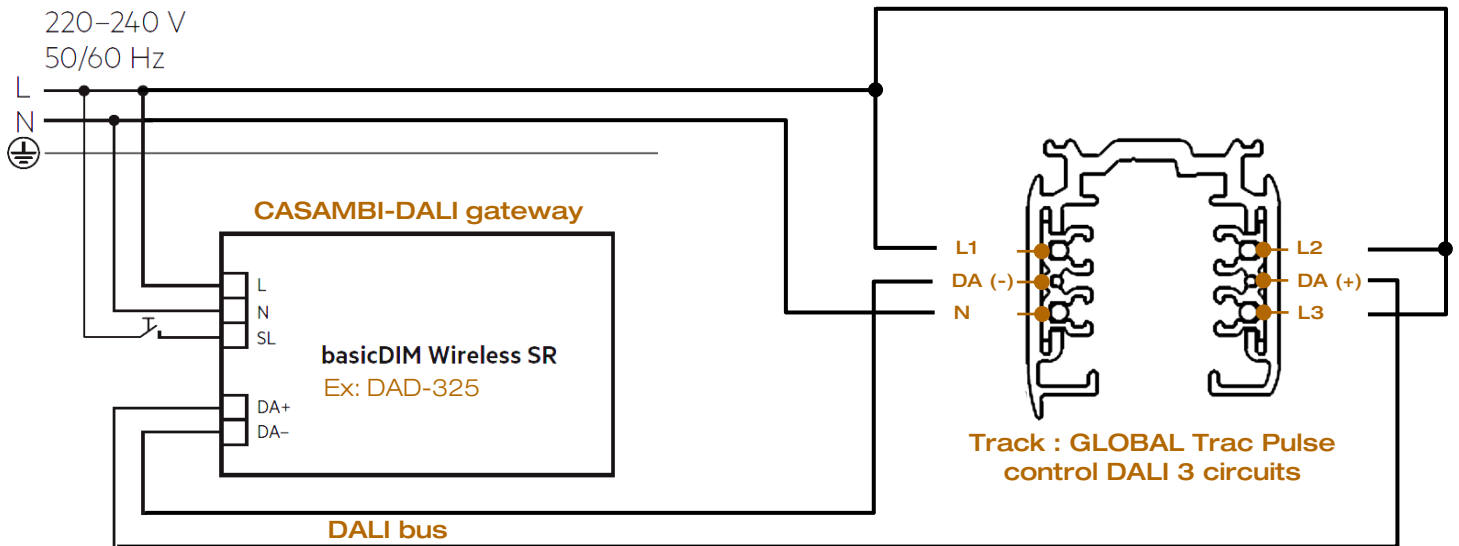
Siège social / Head Office
PA Les Terres d'Or
Route de Saint Philibert
21220 Gevrey Chambertin - FRANCE

Last update : 2025.10.30

5/6



AURORE D52 230V TRACK CASAMBI-DALI Wiring system



CAUTION : 25 drivers maximum per track

All the connections have to be made before powering up,
otherwise the luminaires could be seriously damaged

Last update : 2025.10.30

6/6