



Aurore D22 Staff Duo



Aurore D22 Staff Trio



Aurore D22 Staff 4 spots

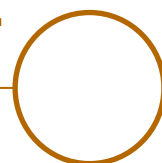


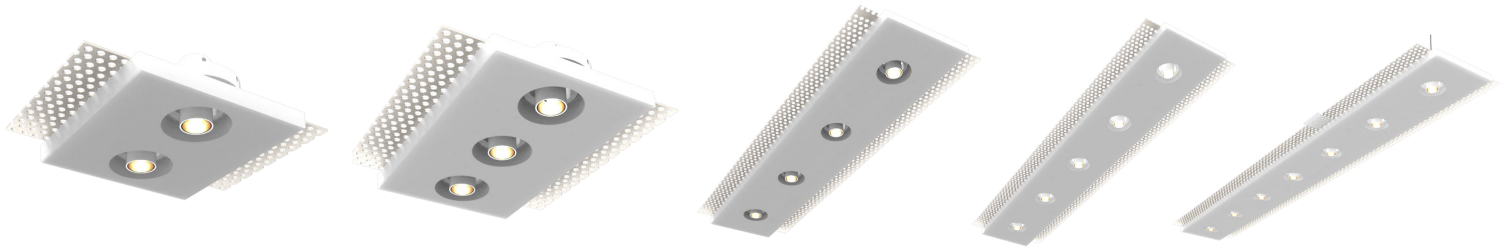
Aurore D22 Staff 5 spots



Aurore D22 Staff 7 spots

AURORE D22 STAFF

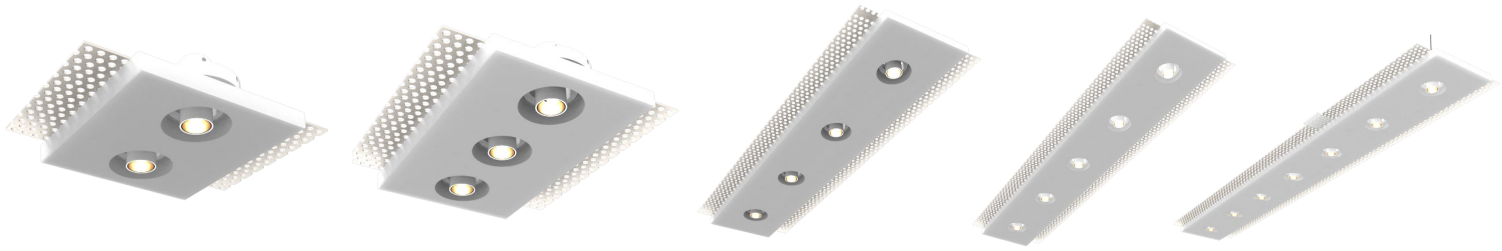




AURORE D22 • DUO • TRIO • 4 SPOTS • 5 SPOTS • 7 SPOTS

Range	Recessed ceiling downlights for general & accent lighting				
Description	Cluster of 2, 3, 4, 5 or 7 low luminance adjustable spotlights, diameter 22mm, in a gypsum plate with fixing brackets for installation in BA13 or staff ceiling				
Finish	LED spotlights painted in White RAL 9003 matt finish (other upon request)				
Dimensions (with spotlights and brackets)	DUO	TRIO	4 SPOTLIGHTS	5 SPOTLIGHTS	7 SPOTLIGHTS
	140x190x50mm	210x190x50mm	600x190x50mm	750x190x50mm	1050x190x50mm
Weight	0.265 kg	0.395 kg	1.5 kg	1.9 kg	2.7 kg
LED characteristics	2000K – 2200K – 2700K – 3000K – 3500K – 4000K – 5000K (other upon request) or mix of 2 color temperatures MacAdam ellipse : 3 SDCM CRI 90 (standard version) – CRI >95 (retail or museums version) R9 > 80				
Optical beams	10° - 15° - 20° - 25° - 40° - 17x49° (elliptical if not adjusted) UGR > 15				
Connection	Supplied with cables and extension cable 2 connectors for serial connection, to be inserted into the ceiling before installing the luminaire				
Power supply	Remote constant current driver 350mA or 700mA max. according to version For USA and Canada use driver UL class 2				
Power	Monochrome version				
	DUO	TRIO	4 SPOTLIGHTS	5 SPOTLIGHTS	7 SPOTLIGHTS
	4W at 700mA max	6W at 700mA max	8W at 700mA max	10W at 700mA max	14W at 700mA max
	2 color temperatures version				
	DUO	TRIO	4 SPOTLIGHTS	5 SPOTLIGHTS	7 SPOTLIGHTS
4W at 350mA max	6W at 350mA max	8W at 350mA max	10W at 350mA max	14W at 350mA max	

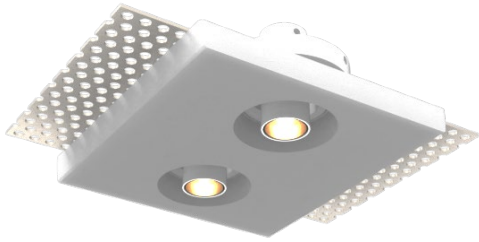
All the connections have to be made before powering up,
otherwise the luminaires could be seriously damaged



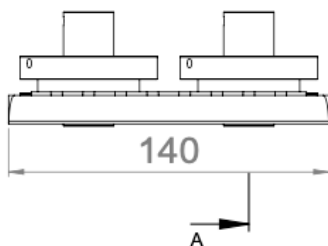
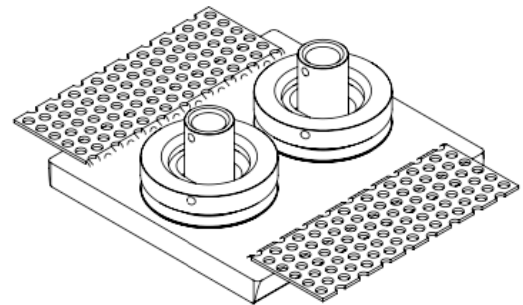
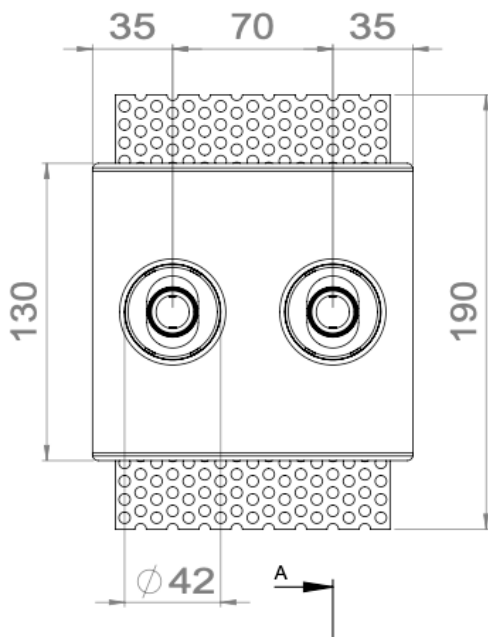
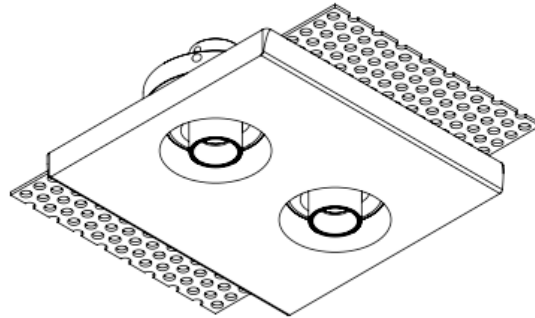
AURORE D22 • DUO • TRIO • 4 SPOTS • 5 SPOTS • 7 SPOTS

<p>Use limitations</p>	<p>The product must be installed into a ventilated area Any use with an ambient temperature higher than the specified ambient temperature (Ta) would lead to a more rapid mortality of the product and the withdrawal of our guarantees The drivers, if not delivered by LOuss, must be approved before use</p>
<p>Warranty</p>	<p>Life span: L80-B10 = 35,000 hours (80% remaining flux) at 30°C ambient temperature The warranty applies to components and fabrication supplied by Louss The warranty does not apply to products that have been opened, modified or repaired and does not cover the effects of a wrong connection, careless, abusive handling, overvoltage, lighting injury, as well as the normal wear of the product All products are electrically tested and receive a functional burn-in</p>

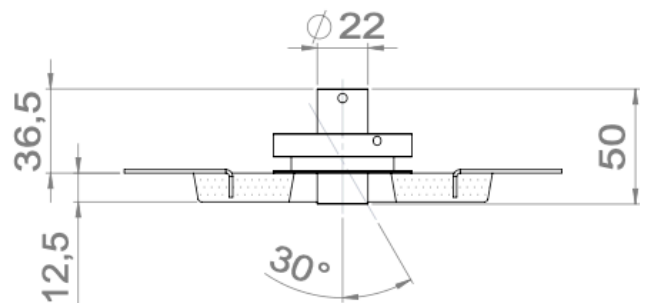
All the connections have to be made before powering up,
 otherwise the luminaires could be seriously damaged



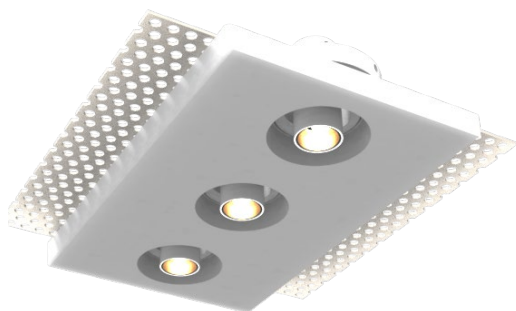
AURORE D22 STAFF - DUO



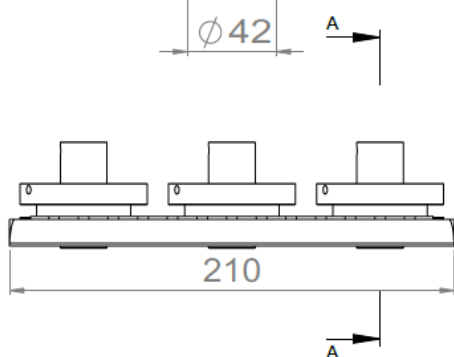
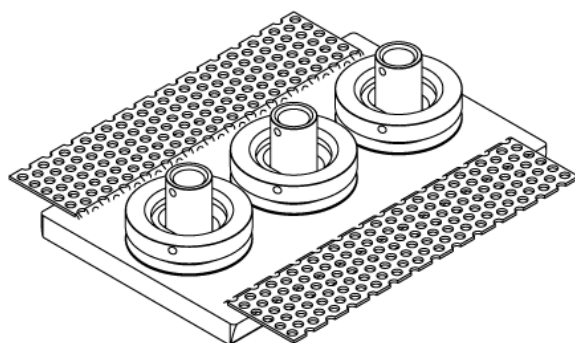
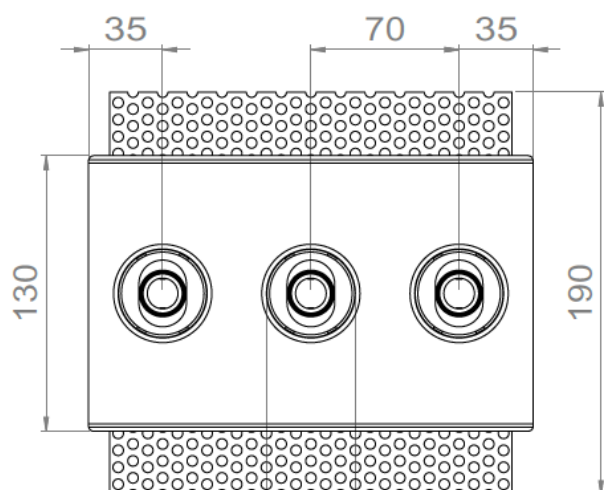
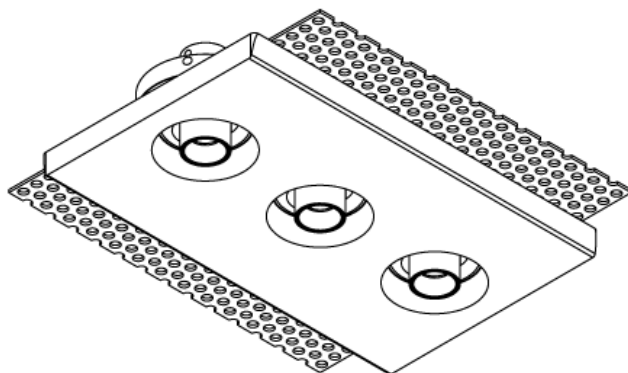
CROSS-SECTION A-A
SCALE 1 : 2



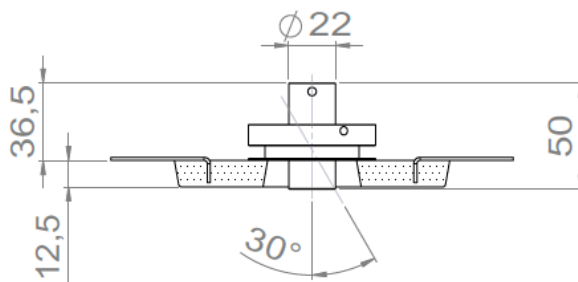
All the connections have to be made before powering up,
otherwise the luminaires could be seriously damaged



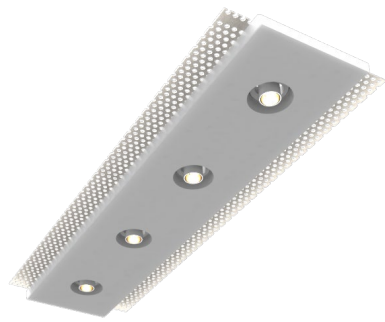
AURORE D22 STAFF - TRIO



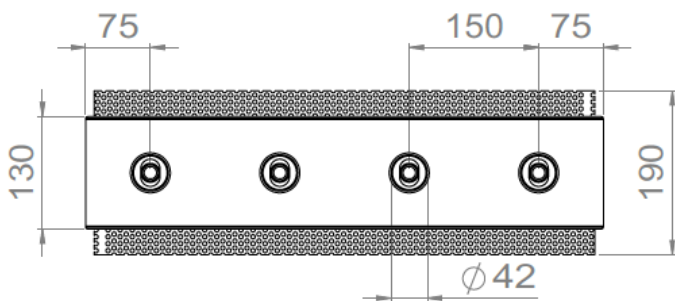
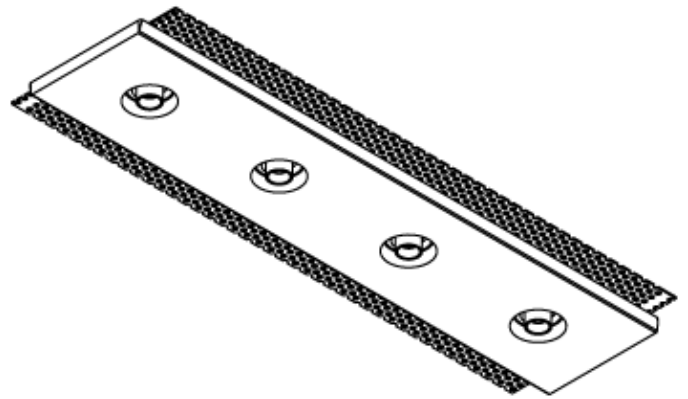
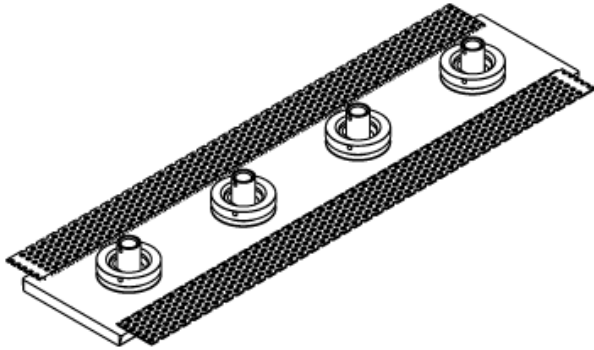
CROSS-SECTION A-A
SCALE 1 : 2



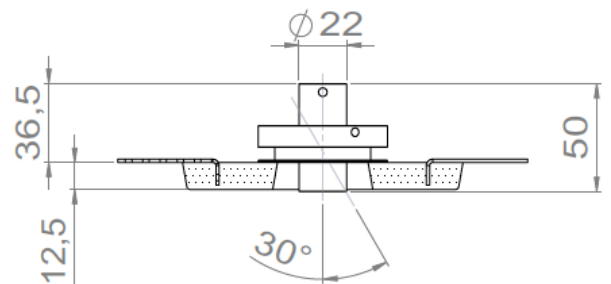
All the connections have to be made before powering up,
otherwise the luminaires could be seriously damaged



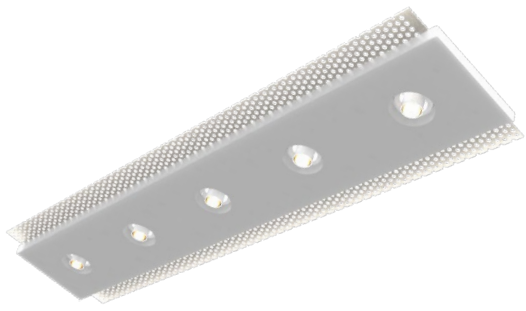
AURORE D22 STAFF - 4 SPOTLIGHTS



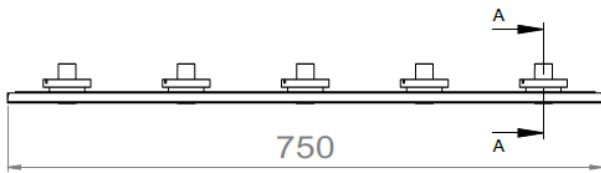
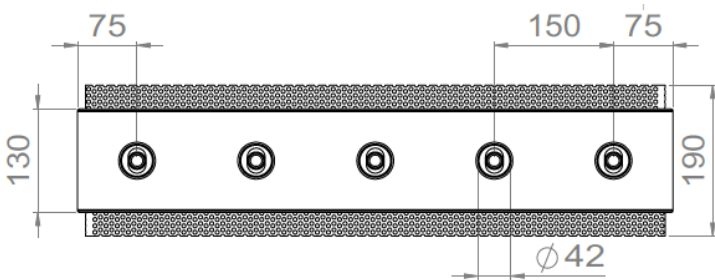
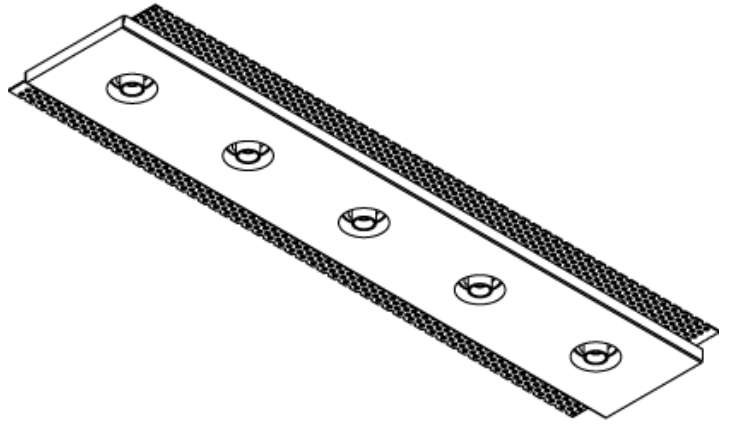
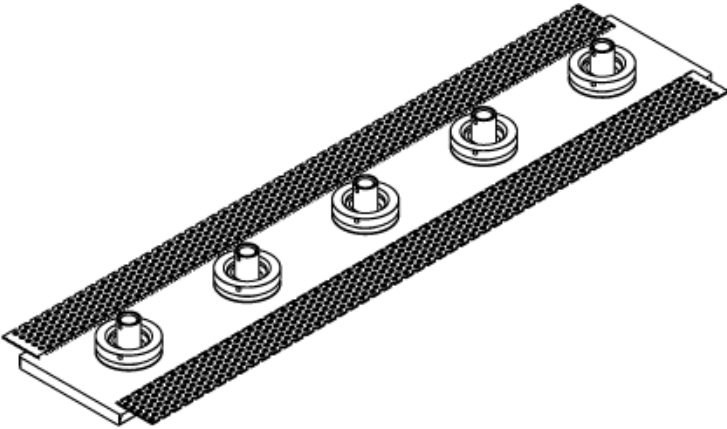
CROSS-SECTION A-A
SCALE 1 : 2



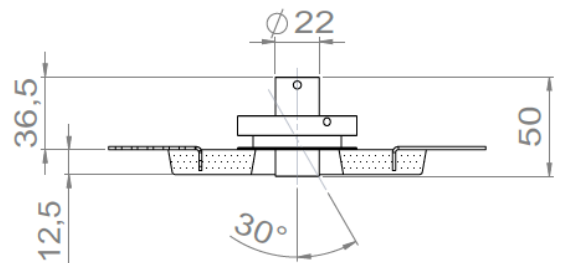
All the connections have to be made before powering up,
otherwise the luminaires could be seriously damaged



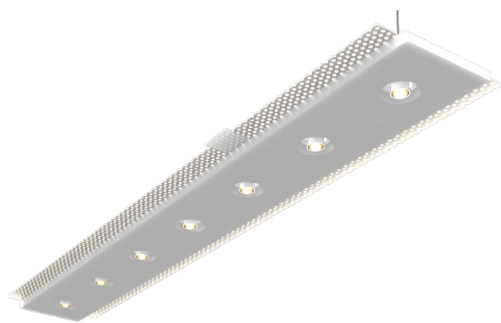
AURORE D22 STAFF - 5 SPOTS



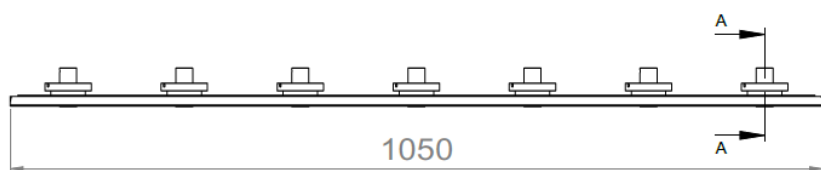
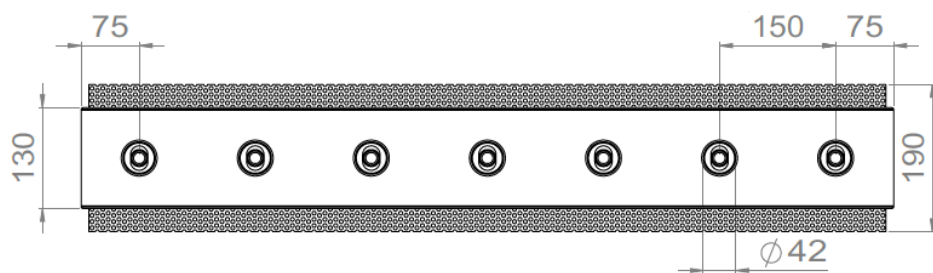
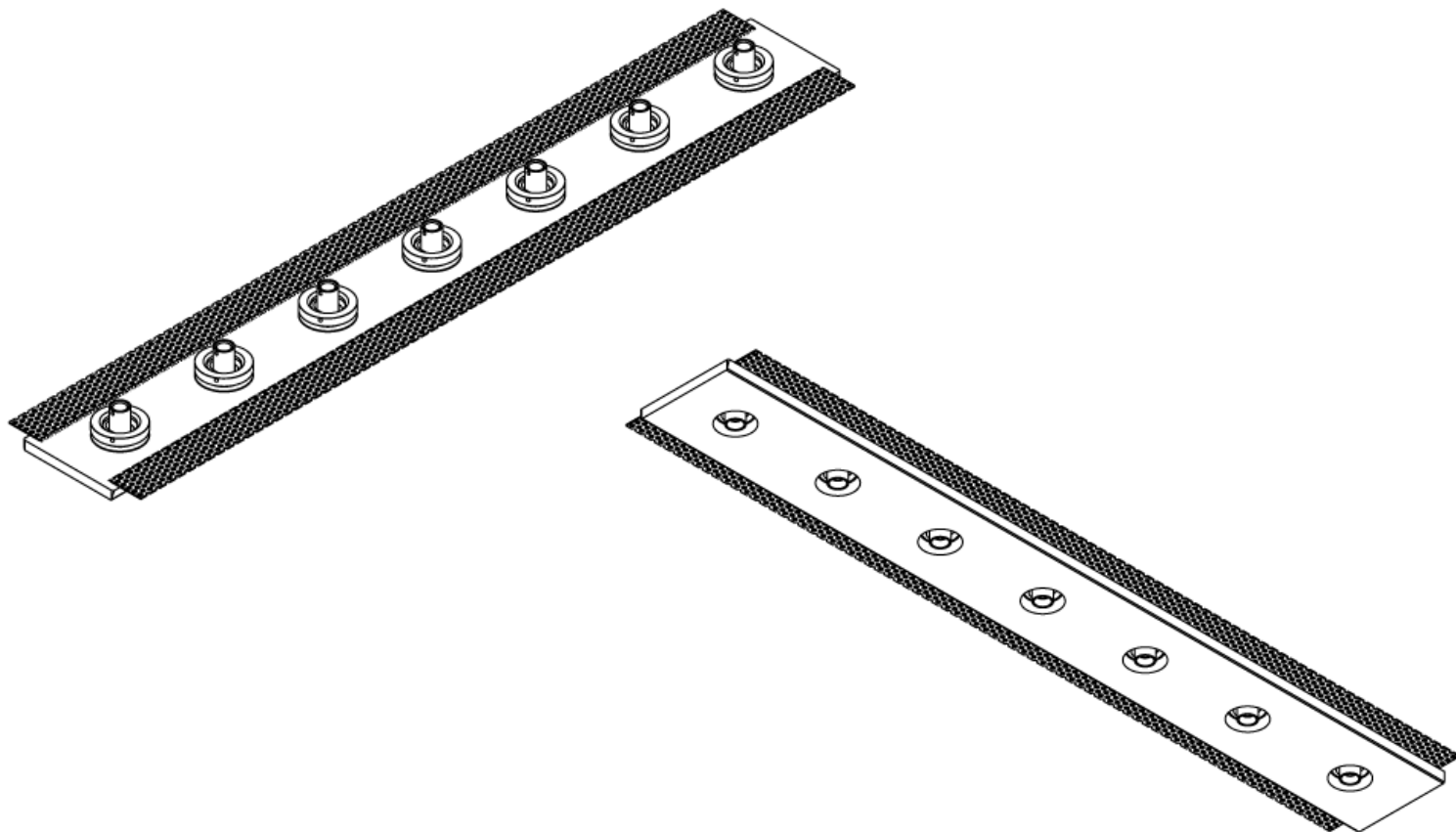
CROSS-SECTION A-A
SCALE 1 : 2



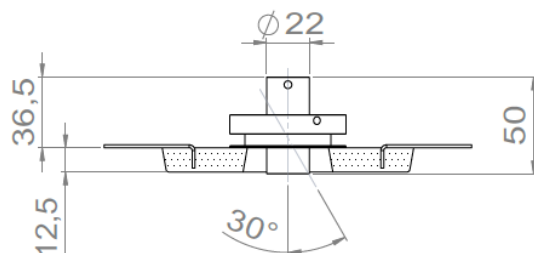
All the connections have to be made before powering up,
otherwise the luminaires could be seriously damaged



AURORE D22 STAFF - 7 SPOTS



CROSS-SECTION A-A
SCALE 1 : 2



All the connections have to be made before powering up,
otherwise the luminaires could be seriously damaged