

Wouss

Lighting Emotion



ANELO 50



ANELO 60



ANELO 85



ANELO 130



ANELO 200

ANELO RANGE

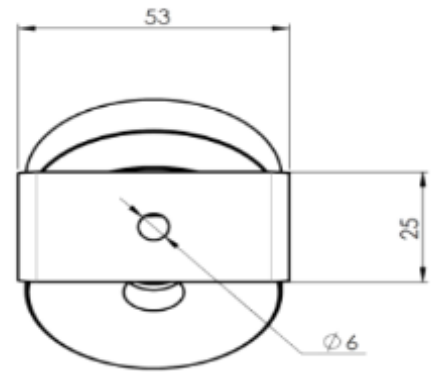
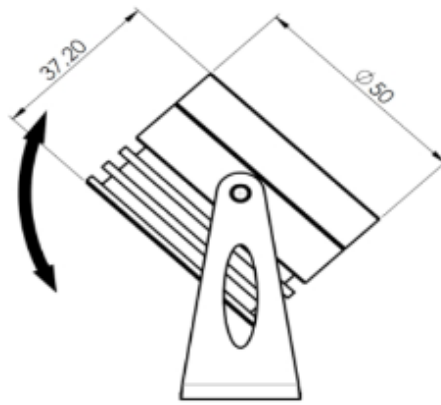


ANELO

Common characteristics

Range	Surface mounted architectural floodlighting
Description	Body in natural anodised aluminium (other finishing upon request) Transparent polycarbonate protector, treated to withstand UV Stainless steel bracket
Connection	Delivered with 1m standard cable (more length upon request) Individual connection or connection in series on external constant current driver
Separate power supply	350mA – 500mA – 700mA
Use limitations	The product must be installed into a ventilated area. Any use with an ambient temperature higher than the specified ambient temperature (Ta) would lead to a more rapid mortality of the product and the withdrawal of our guarantees. The drivers, if not delivered by LOuss, must be approved before use.
Warranty	Life span: L80B10 at 50,000 hours (80% remaining flux) at 25°C ambient temperature. 3-year parts and labour warranty. The warranty does not apply to products that have been opened, modified or repaired and does not cover the effects of a wrong connection, careless, abusive handling, overvoltage, lighting injury, as well as the normal wear of the product. All products are electrically tested and received a functional burn-in.

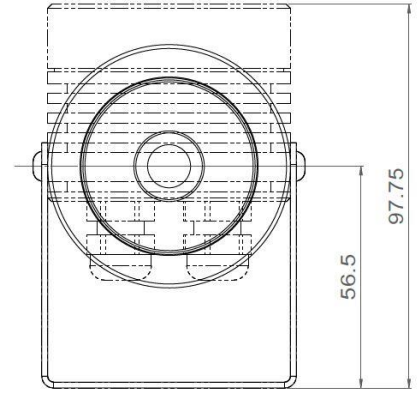
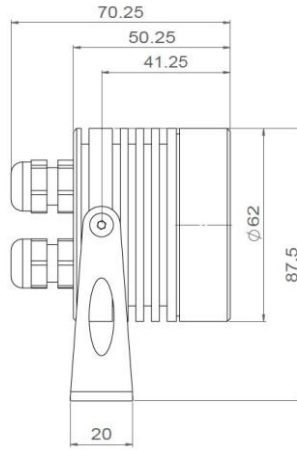
All the connections have to be made before powering up,
otherwise the luminaires could be seriously damaged.



ANELO 50

Description	Transparent polycarbonate protector, treated to withstand UV
External diameter	50mm
Net Weight	0.22 kg
LED characteristics	1 LED : 2200K – 2700K - 3000K – 4000K – 5000K – 6500K (other LED colours upon request)
Optical beam	6° - 15° - 35° (other optical beams upon request)
LED power	350mA : 1.2W 500mA : 1.8W 700mA : 2.4W

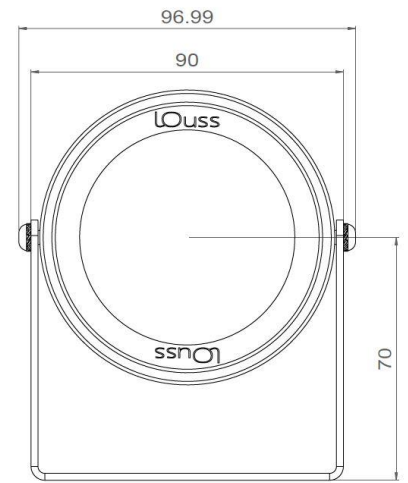
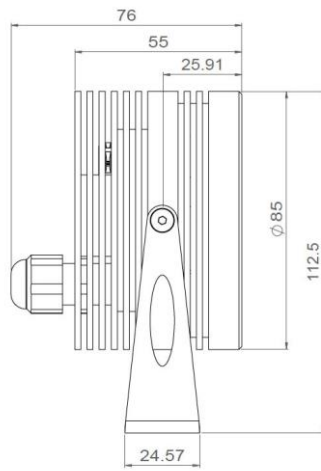
All the connections have to be made before powering up,
otherwise the luminaires could be seriously damaged.



ANELO 60

Description	Transparent polycarbonate protector, treated to withstand UV
External diameter	60mm
Net Weight	0.30 kg
LED characteristics	1 LED : 2200K - 2700K - 3000k - 4000K - 5000K - 6500K (other LED colours upon request) 1 LED 4en1 RGBW
Optical beam	Monochrome, twin white: 4° - 6° - 15° - 35° (other optical beams upon request) LED 4in1: 7° - 12° - 24° - 32° - 10x40 elliptical
LED power	350mA : 1.2W 500mA : 1.8W 700mA : 2.4W

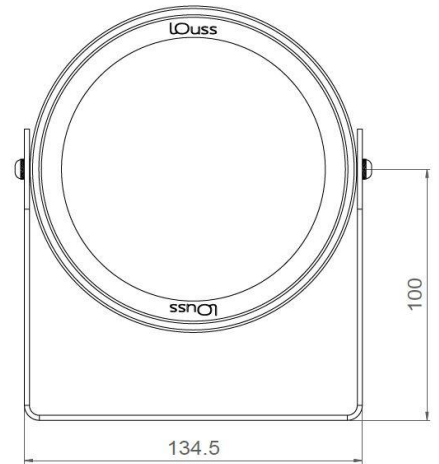
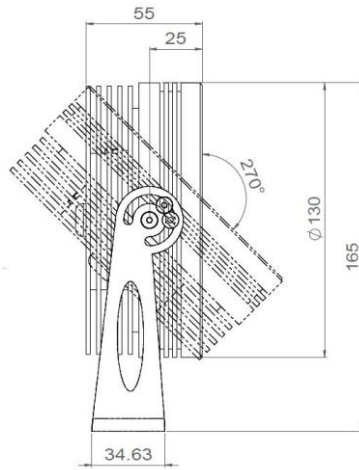
All the connections have to be made before powering up,
otherwise the luminaires could be seriously damaged.



ANELO 85

Description	Transparent polycarbonate protector, treated to withstand UV
Dimensions	Diameter : 85mm
Net weight	0.60 kg
LED characteristics	6 LED : 2200K - 2700K - 3000K - 4000K - 5000k - 6500K (other upon request) 3 LED 4en1 ou 8 LED individual: RGBW Individual 8 LED : twin white
Optical beam	Individual LED: 15° - 20° - 35° - 40° - 60° - 18x36 elliptical (other optical beam upon request) 4in1 LED: 20° - 30° - 55° - 70° reflector
LED power	350mA : 7.3W (15W RGB/RGBW) 500mA : 10.8W 700mA : 15W

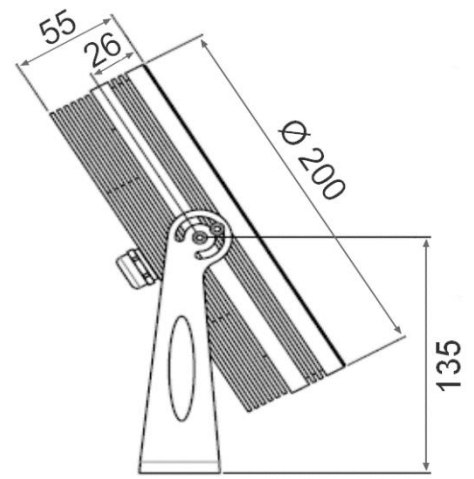
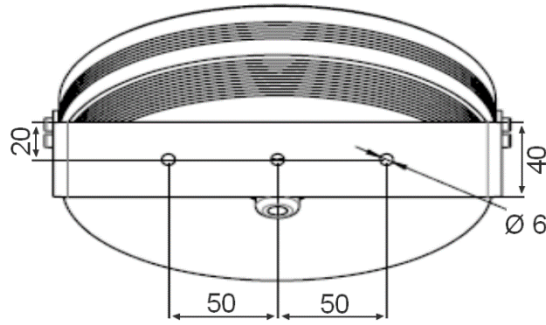
All the connections have to be made before powering up,
otherwise the luminaires could be seriously damaged.



ANELO 130

Description	Extra clear tempered glass
External diameter	130mm
Net Weight	1.30 kg
LED characteristics	6 LED/12 LED : 2200K – 2700K - 3000K – 4000K – 5000K – 6500K (other LED colours upon request) 6 LED 4en1 : RGBW - 12 LED : twin white
Optical beam	6° - 15° - 20° - 30° - 40° - 60° (other upon request) 4in1 : 20° - 30° - 55° - 70° reflector
LED power	12 LED : 350mA : 14.4W 500mA : 21.6W 700mA : 28.8W

All the connections have to be made before powering up, otherwise the luminaires could be seriously damaged.



ANELO 200

Description	Extra clear tempered glass
External diameter	200mm
Net Weight	3.10 kg
LED characteristics	18 LED : 2200K – 2700K - 3000K – 4000K – 5000K – 6500K 24 LED : RGBW
Optical beam	High performance optics : 7° - 15° - 35° - 60° Standard optics : 15° - 30° - 40° - 60°
LED power	350mA : 22W – 30W 500mA : 33W – 43W 700mA : 45W max. full RGBW

All the connections have to be made before powering up,
otherwise the luminaires could be seriously damaged.