

Wouss  
Lighting Emotion

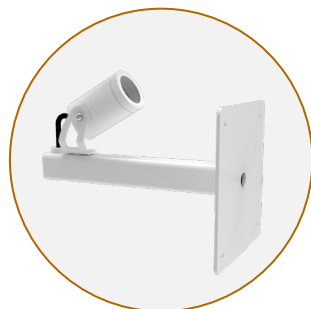
# ANELO RANGE



# Index



Anele 30  
*Adjustable*  
3



Anele 30  
*Adjustable remote*  
3



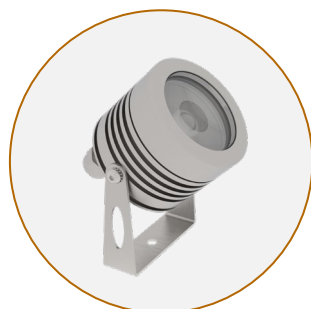
Anele 30  
*Fixed*  
3



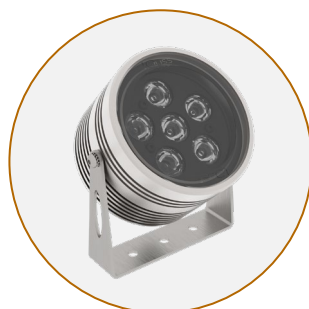
Anele 45  
12



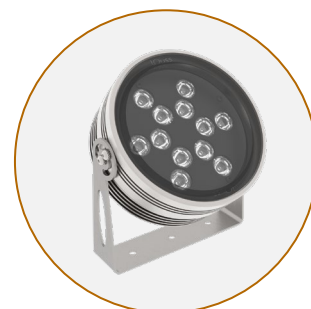
Anele 50  
15



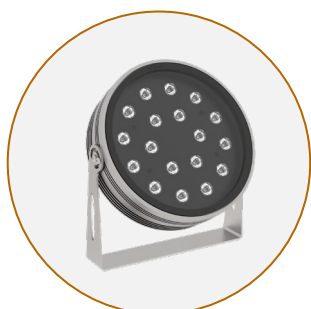
Anele 60  
18



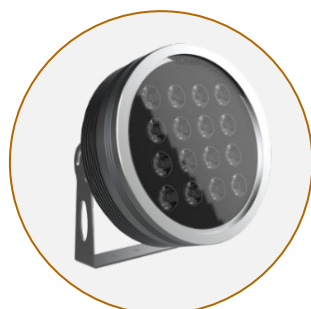
Anele 85  
21



Anele 130  
24



Anele 200  
27



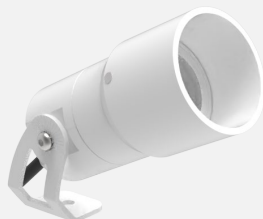
Anele 250  
30

# LOUSS

Lighting Emotion



Adjustable



Adjustable  
Low Luminance Straight



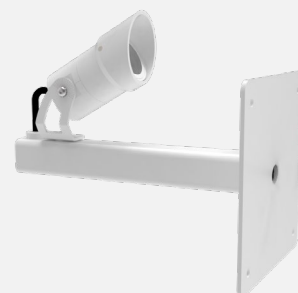
Adjustable  
Low Luminance Beveled



Adjustable Remote



Adjustable Remote  
Low Luminance Straight



Adjustable Remote  
Low Luminance Beveled



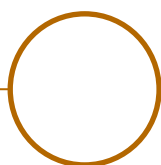
Fixed



Fixed  
Low Luminance Straight

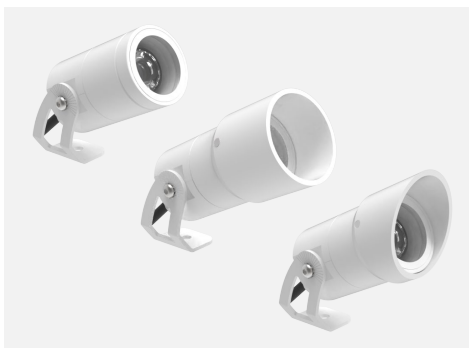


Fixed  
Low Luminance Beveled



## ANELO 30

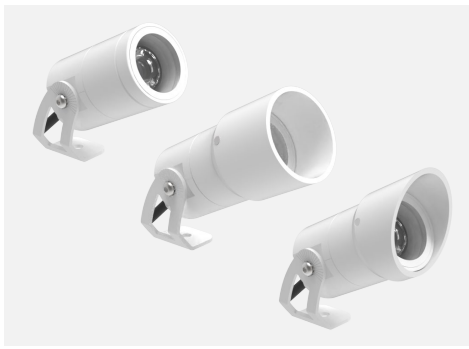




## ANELO 30 • Adjustable • Adjustable Remote • Fixed

<b>Range</b>	Architectural floodlighting		
<b>Description</b>	<b>Adjustable</b>	<b>Adjustable Remote</b>	<b>FIXEDd</b>
	Aluminum body Stainless steel fixing device and support Rotation (see page 4) 90° on each side Tilt (see page 4) 90° up 60° down	Aluminum spotlight mounted on a stainless steel arm Cable output behind or under the arm (according to customer's request) Rotation (see pages 5-7) 60° on each side Tilt (see pages 5-7) 90° up 24° down (without tube) 10° down (straight tube) 19° down (beveled tube)	Aluminum body Stainless steel fixing device and support No rotation No tilt
	Transparent polycarbonate protector, with anti-UV treatment Simple version (without tube) or Low Luminance version (Straight or Beveled tube)		
<b>Finish</b>	White RAL 9003 or BLACK RAL 9005 thermo-lacquered paint (other upon request)		
<b>Dimensions</b>	<b>Adjustable</b>	<b>Adjustable Remote</b>	<b>FIXEDd</b>
	Spotlight length - 47mm (Simple) - 66mm (Low Luminance) Length with fixing device - 66mm (Simple) - 85mm (Low Luminance)	<b>SPOTLIGHT</b> Length - 47mm (Simple) - 66mm (Low Luminance) Length with fixing device - 67mm (Simple) - 86mm (Low Luminance) <b>ARM</b> Length - 100mm - 150mm - 300mm (other upon request) Metal plate - 100x100mm	Length - 51mm (Simple) - 69mm (Low Luminance)
	Spotlight diameter: 30mm (Simple) 34mm (Low luminance)		
<b>Weight</b>	<b>Adjustable</b>	<b>Adjustable Remote</b>	<b>FIXEDd</b>
	0.188 kg (Simple) 0.218 kg (Low Luminance)	Spot : 0.188kg (Simple) 0.218kg (Low Lumin.) Metal plate: 0.160kg Arm : 1.2kg/m	0.180 kg (Simple) 0.210 kg (Low Luminance)

All the connections have to be made before powering up, otherwise the luminaires could be seriously damaged



**ANELO 30 • Adjustable • Adjustable Remote • Fixed**

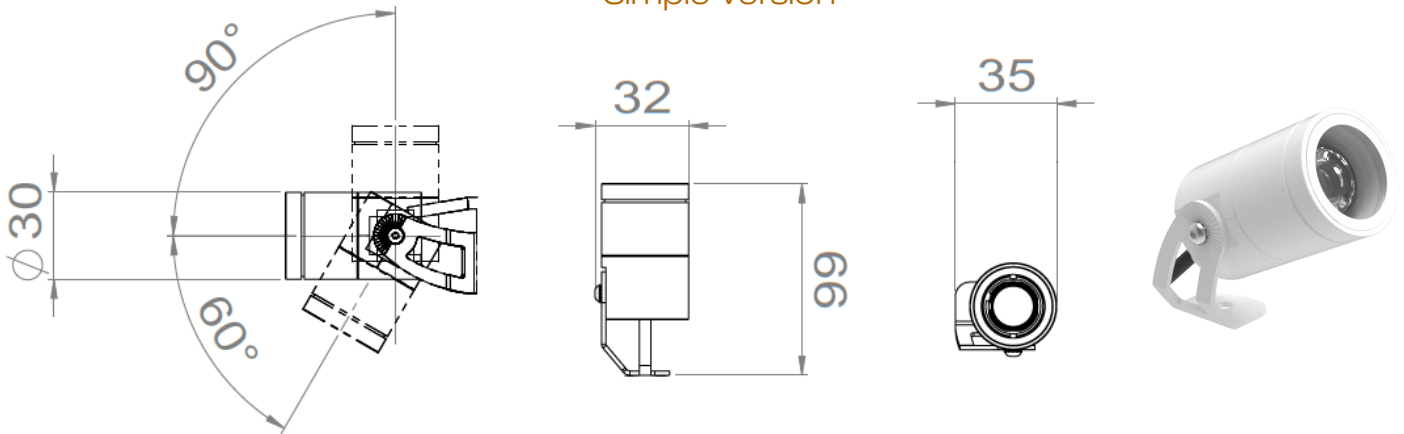
<b>LED characteristics</b>	1 LED : 2200K – 2700K - 3000K – 4000K – 5000K – 6500K (other upon request) CRI 80 – 90 – 95
<b>Optics</b>	10° - 12° - 15° - 35° - 55° - Elliptical (other upon request)
<b>Accessories</b>	Honeycomb grid, filters
<b>Connection</b>	Supplied with 1m cable (more length upon request) Individual or serial connection on external constant current driver
<b>Separate power supply</b>	900mA max. external constant current driver according to LED type
<b>LED Power</b>	3W at 900mA max.
<b>Use limitations</b>	The drivers, if not delivered by LOuss, must be approved before use
<b>Warranty</b>	Life span: L80B10 at 50,000 hours (80% remaining flux) at 25°C ambient temperature 3-year parts and labor warranty The warranty does not apply to products that have been opened, modified or repaired and does not cover the effects of a wrong connection, careless, abusive handling, overvoltage, lighting injury, as well as the normal wear of the product All products are electrically tested and received a functional burn-in

All the connections have to be made before powering up, otherwise the luminaires could be seriously damaged

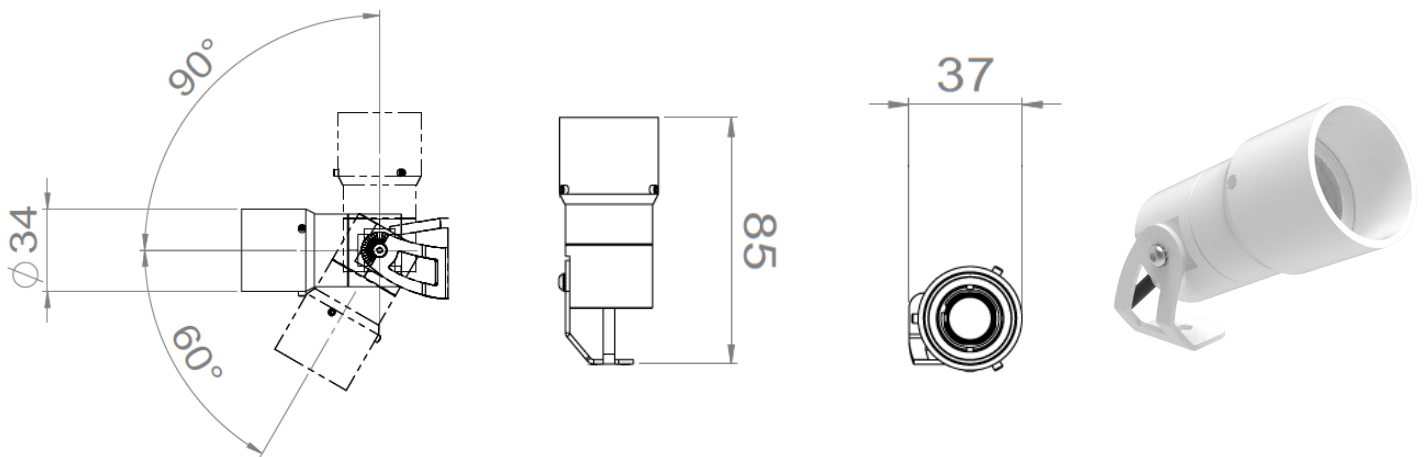


## ANELO 30 ADJUSTABLE Dimensions

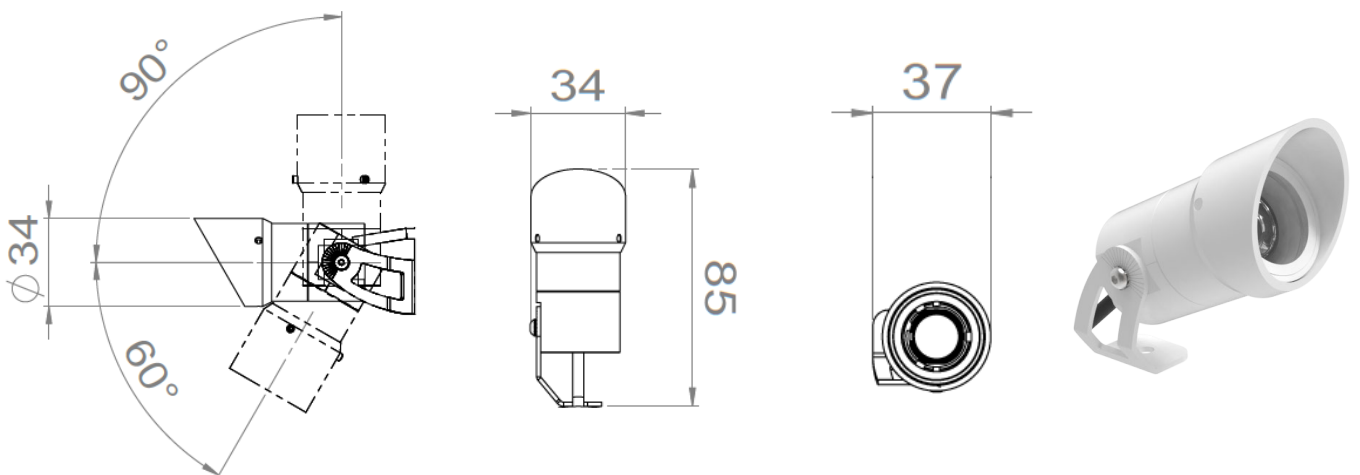
Simple version



Low Luminance Straight version



Low Luminance Beveled version



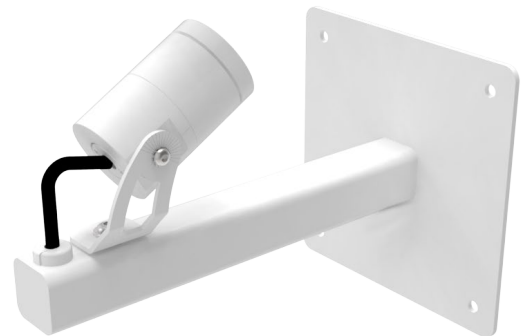
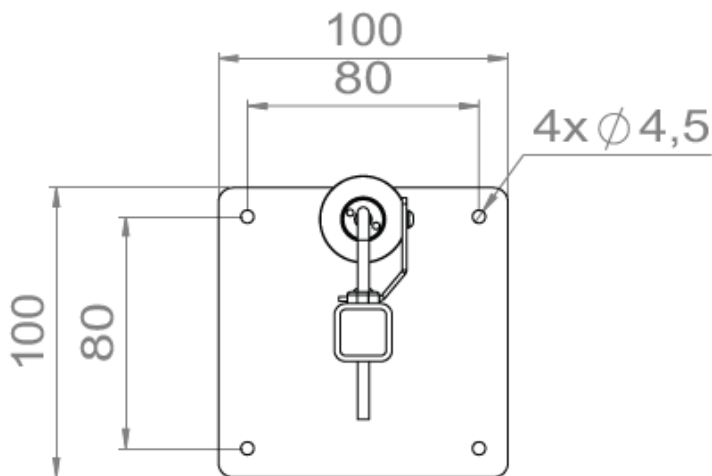
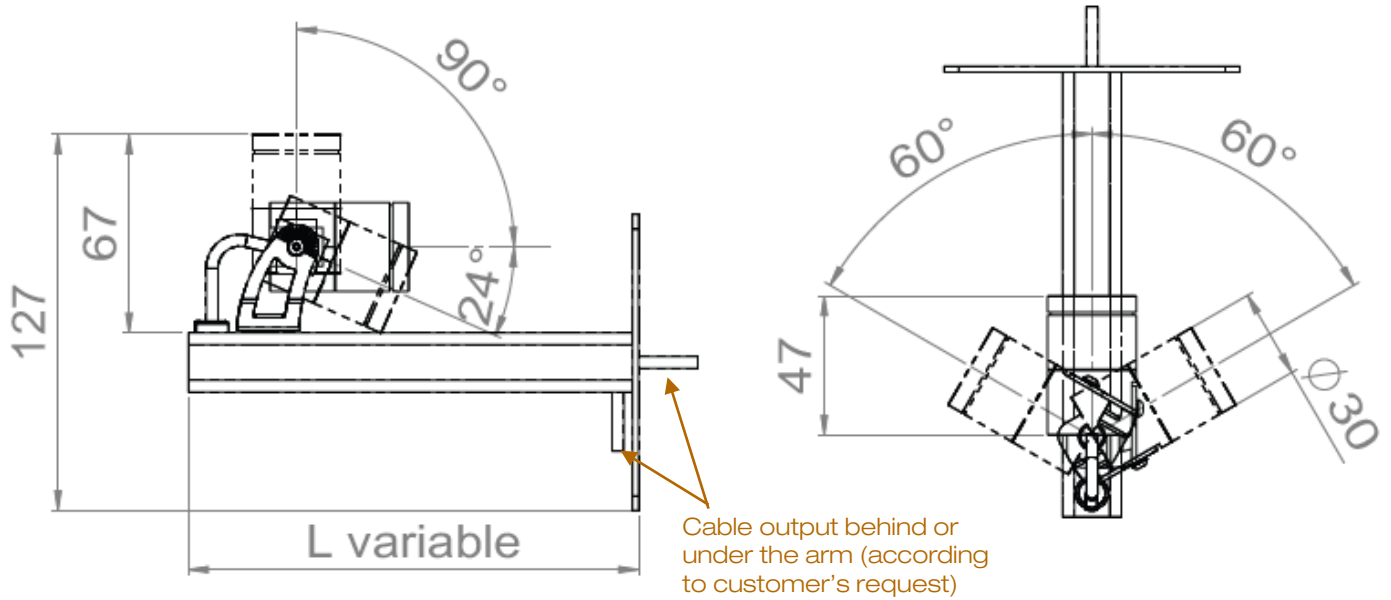
All the connections have to be made before powering up, otherwise the luminaires could be seriously damaged



# ANELO 30 ADJUSTABLE REMOTE

## Dimensions

Simple version



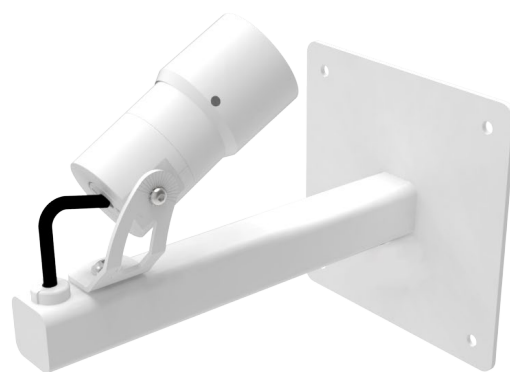
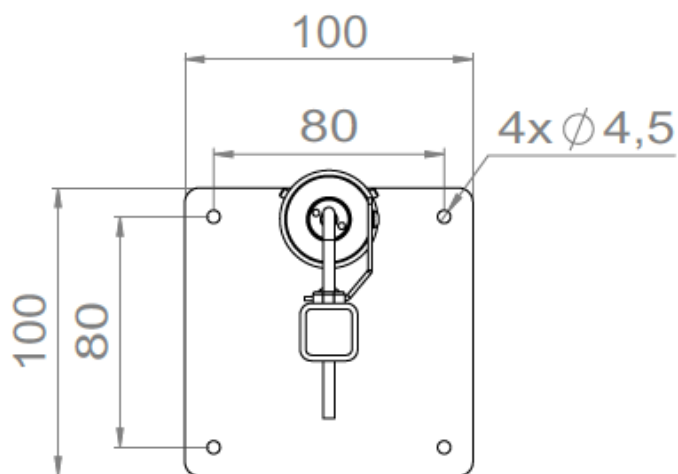
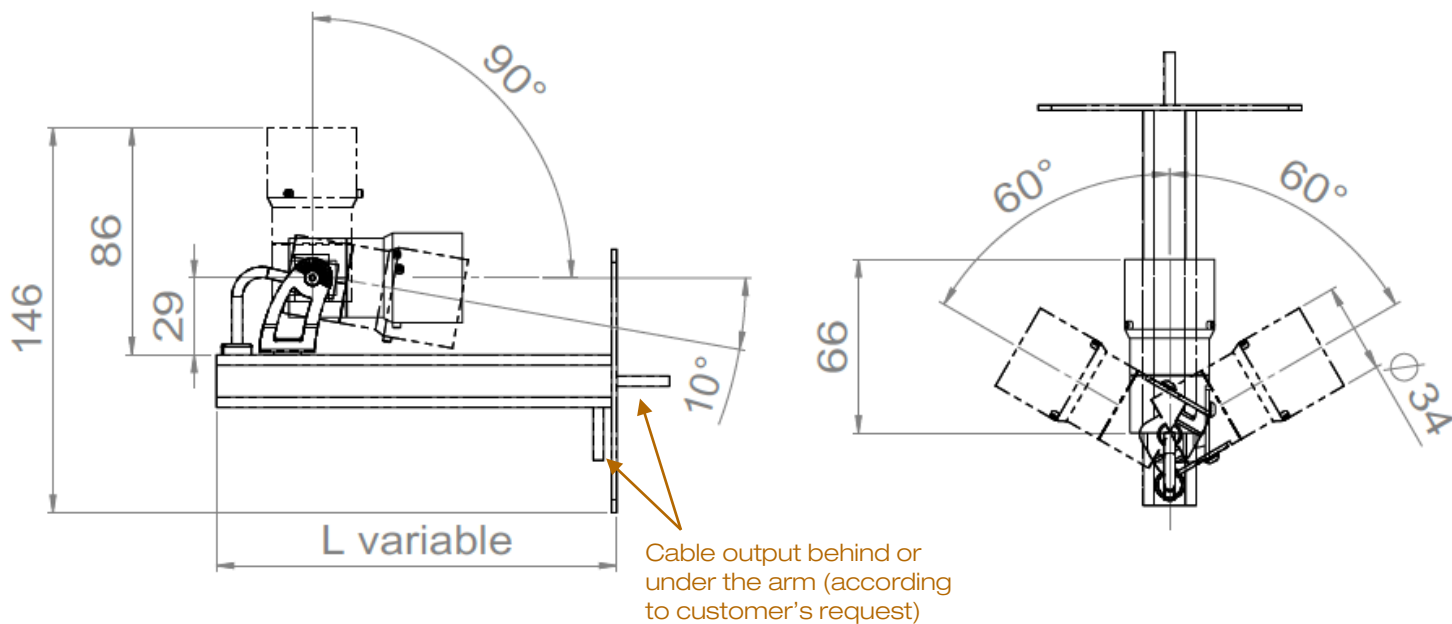
All the connections have to be made before powering up, otherwise the luminaires could be seriously damaged



# ANELO 30 ADJUSTABLE REMOTE

## Dimensions

### Low Luminance Straight version



All the connections have to be made before powering up, otherwise the luminaires could be seriously damaged

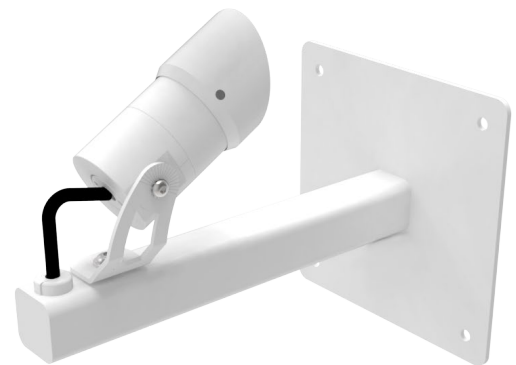
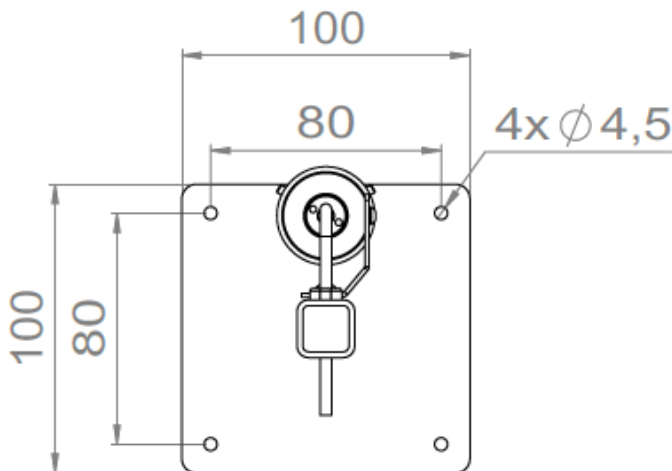
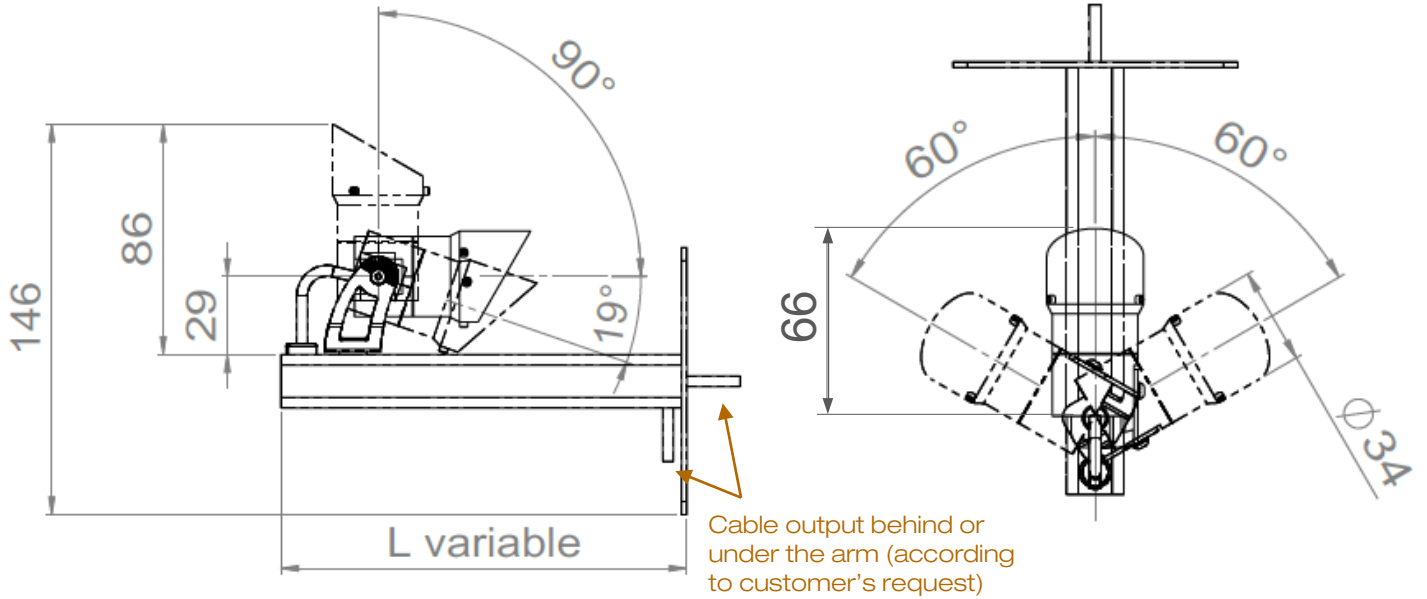




# ANELO 30 ADJUSTABLE REMOTE

## Dimensions

Low Luminance Beveled version

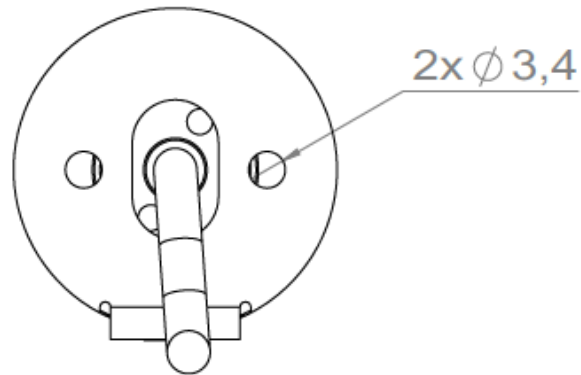
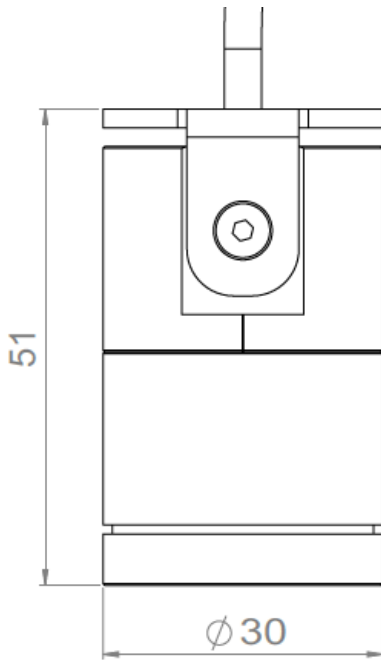


All the connections have to be made before powering up, otherwise the luminaires could be seriously damaged

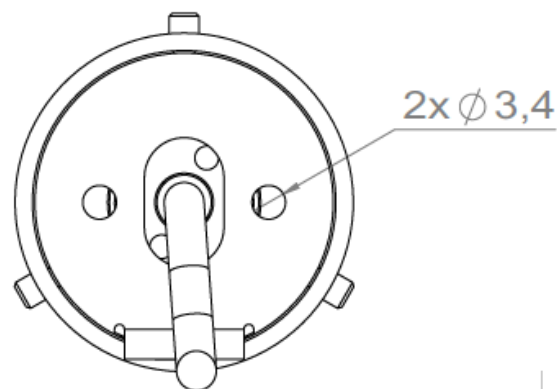
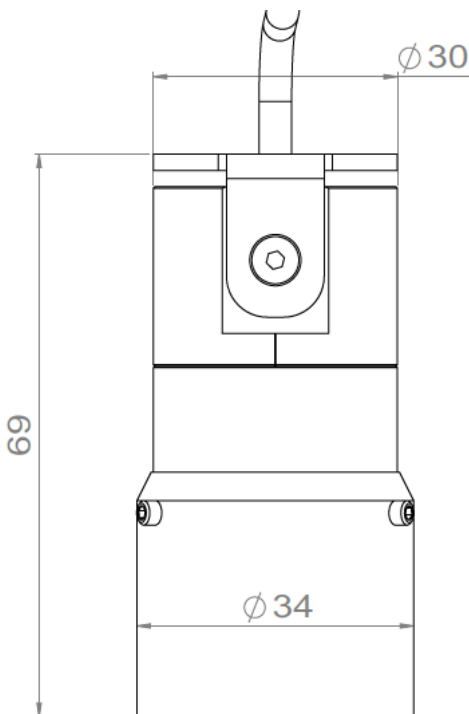


## ANELO 30 FIXED Dimensions

### Simple version



### Low Luminance Straight version

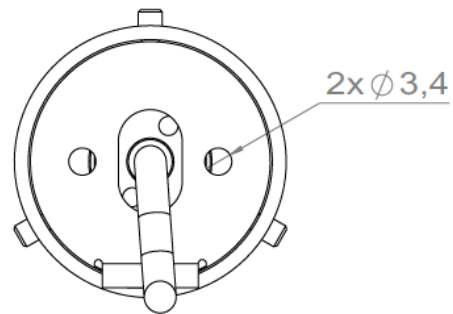
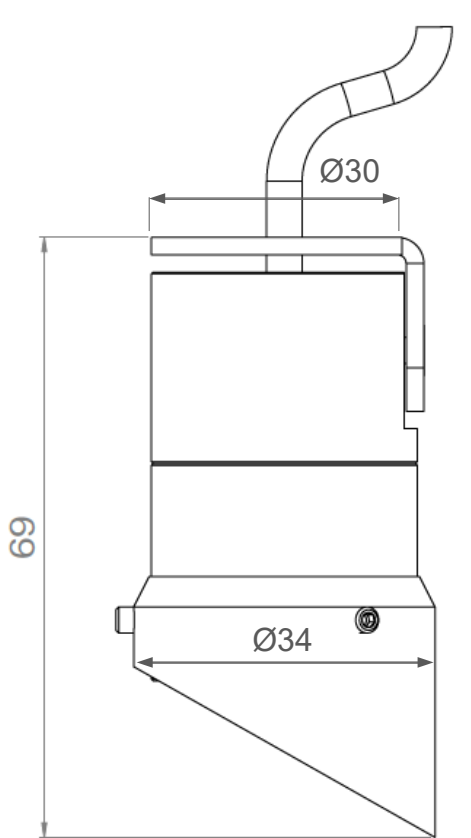


All the connections have to be made before powering up, otherwise the luminaires could be seriously damaged



## ANELO 30 FIXED Dimensions

Low Luminance Beveled version



All the connections have to be made before powering up, otherwise the luminaires could be seriously damaged

LOUSS

Creation : 2026.03.10 / Last update : 2026.03.17

9/9

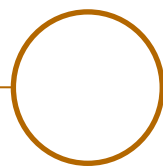
BEST SAS, Capital 200 000€  
RCS Dijon B 408 483 485  
TVA/VAT n° : FR94 408 483 485  
APE 2612Z

Tel. : +33 380 48 65 68  
contact@louss.fr  
[www.louss.fr](http://www.louss.fr)  
Best & LOUSS

Siège social / Head Office  
PA Les Terres d'Or  
Route de Saint Philibert  
21220 Gevrey Chambertin - FRANCE

# Wouss

Lighting Emotion



## ANELO 45





## ANELO 45

<b>Range</b>	Architectural floodlighting
<b>Description</b>	Aluminum body Stainless steel fixing bracket Transparent polycarbonate protector, with anti-UV treatment Adjustable tilt 180°
<b>Finish</b>	White RAL 9003 or BLACK RAL 9005 thermo-lacquered paint (other upon request)
<b>Dimensions</b>	Spotlight diameter : 45mm Spotlight length : 73.5mm
<b>Weight</b>	0.20 kg
<b>LED characteristics</b>	1 or 4 LED(s) : 2200K – 2700K – 3000K – 4000K – 5000K – 6500K (other upon request) CRI 80 – CRI 90 (R9>50) - CRI 95 (R9>80)
<b>Optics</b>	6° - 15° - 35° - 55° - Elliptical (other upon request)
<b>Accessories</b>	Filters, honeycomb grid upon request
<b>Connection</b>	Supplied with 1m cable (more length upon request) Individual or serial connection on external constant current driver
<b>Separate power supply</b>	700mA max. external constant current driver For the USA & Canada use a UL class 2 driver
<b>LED power</b>	1 LED : 2.1W at 700mA max. 4 LEDs : 8.4W at 700mA max.
<b>Use limitations</b>	The drivers, if not delivered by LOuss, must be approved before use
<b>Warranty</b>	Life span: L80B10 at 50,000 hours (80% remaining flux) at 25°C ambient temperature 3-year parts and labor warranty The warranty does not apply to products that have been opened, modified or repaired and does not cover the effects of a wrong connection, careless, abusive handling, overvoltage, lighting injury, as well as the normal wear of the product All products are electrically tested and received a functional burn-in

All the connections have to be made before powering up,  
otherwise the luminaires could be seriously damaged

Creation : 2023.05.11 / Last update : 2026.04.02

LOuss

BEST SAS, Capital 200 000€  
RCS Dijon B 408 483 485  
TVA/VAT n° : FR94 408 483 485  
APE 2612Z

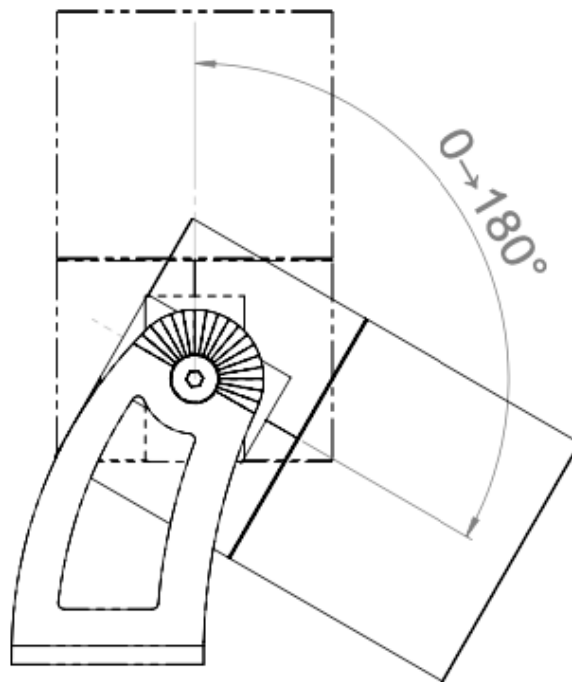
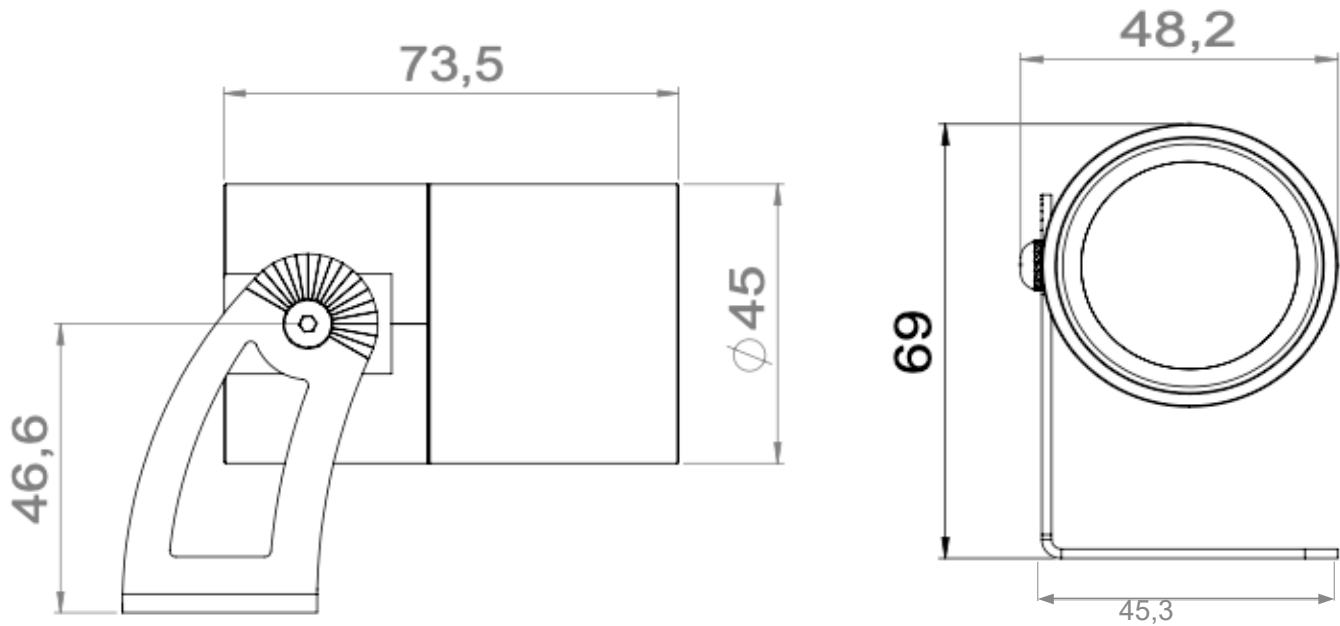
Tel. : +33 380 48 65 68  
contact@louss.fr  
[www.louss.fr](http://www.louss.fr)  
Best & LOuss

Siège social / Head Office  
PA Les Terres d'Or  
Route de Saint Philibert  
21220 Gevrey Chambertin - FRANCE

2/3



## ANELO 45 Dimensions



All the connections have to be made before powering up,  
otherwise the luminaires could be seriously damaged

Creation : 2023.05.11 / Last update : 2026.04.02

LOUSS

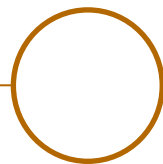
BEST SAS, Capital 200 000€  
RCS Dijon B 408 483 485  
TVA/VAT n° : FR94 408 483 485  
APE 2612Z

Tel. : +33 380 48 65 68  
contact@louss.fr  
[www.louss.fr](http://www.louss.fr)  
Best & LOUSS

Siège social / Head Office  
PA Les Terres d'Or  
Route de Saint Philibert  
21220 Gevrey Chambertin - FRANCE

# LOUSS

Lighting Emotion



## ANELO 50





## ANELO 50

<b>Range</b>	Architectural floodlighting
<b>Description</b>	Aluminum body Stainless steel fixing bracket Transparent polycarbonate protector, with anti-UV treatment
<b>Finish</b>	Natural anodized aluminum (other upon request)
<b>Dimensions</b>	External diameter : 50mm Spotlight length : 61mm
<b>Weight</b>	0.22 kg
<b>LED characteristics</b>	1 or 4in1 LED : 2200K – 2700K – 3000K – 4000K – 5000K – 6500K (other upon request) CRI 80 – CRI 90 (R9>50) - CRI 95 (R9>80)
<b>Optics</b>	3° - 6° - 15° - 35° - 40° (other upon request)
<b>Accessories</b>	Filters, honeycomb grid upon request
<b>Connection</b>	Supplied with 1m cable (more length upon request) Individual or serial connection on external constant current driver
<b>Separate power supply</b>	<b>1 LED</b> : 700mA max. external constant current driver <b>4in1 LED</b> : 350mA max. external constant current driver For the USA & Canada use a UL class 2 driver
<b>LED power</b>	<b>1 LED</b> : 2.4W at 700mA max. <b>4in1 LED</b> : 4.0W at 350mA max.
<b>Use limitations</b>	The drivers, if not delivered by LOuss, must be approved before use
<b>Warranty</b>	Life span: L80B10 at 50,000 hours (80% remaining flux) at 25°C ambient temperature 3-year parts and labor warranty The warranty does not apply to products that have been opened, modified or repaired and does not cover the effects of a wrong connection, careless, abusive handling, overvoltage, lighting injury, as well as the normal wear of the product All products are electrically tested and received a functional burn-in

All the connections have to be made before powering up,  
otherwise the luminaires could be seriously damaged

Creation : 2019.02.01 / Last update : 2026.04.02

LOuss

BEST SAS, Capital 200 000€  
RCS Dijon B 408 483 485  
TVA/VAT n° : FR94 408 483 485  
APE 2612Z

Tel. : +33 380 48 65 68  
contact@louss.fr  
[www.louss.fr](http://www.louss.fr)  
Best & LOuss

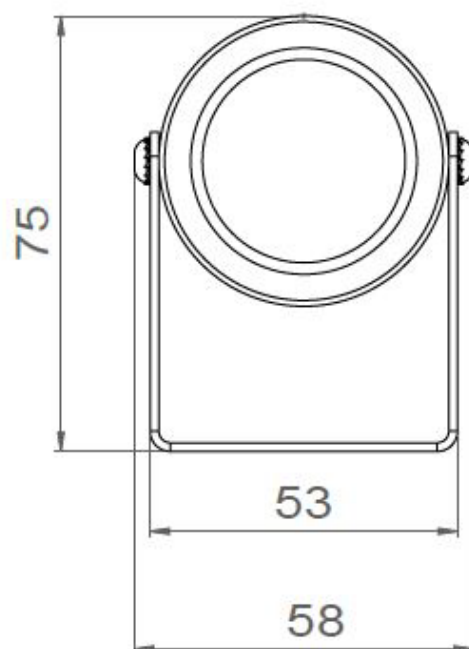
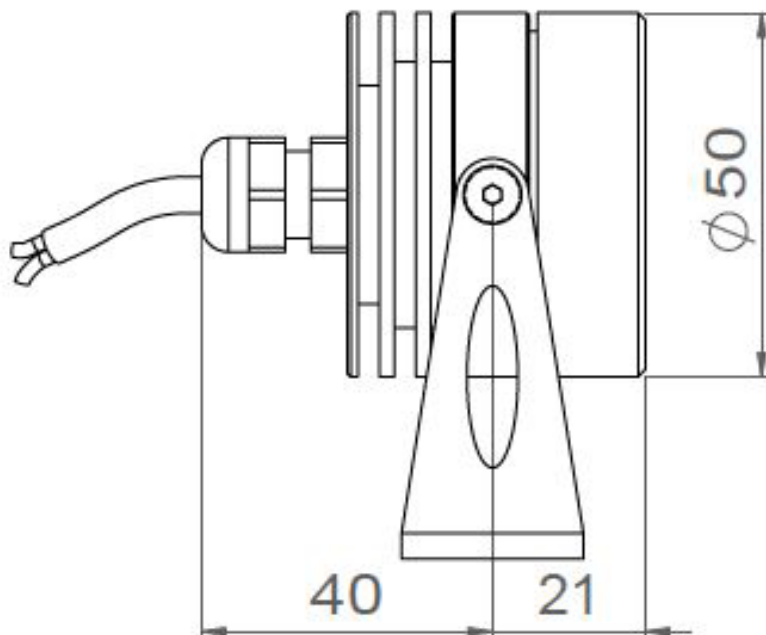
Siège social / Head Office  
PA Les Terres d'Or  
Route de Saint Philibert  
21220 Gevrey Chambertin - FRANCE

2/3





## ANELO 50 Dimensions



All the connections have to be made before powering up,  
otherwise the luminaires could be seriously damaged

Creation : 2019.02.01 / Last update : 2026.04.02

3/3

LOUSS

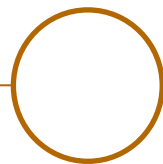
BEST SAS, Capital 200 000€  
RCS Dijon B 408 483 485  
TVA/VAT n° : FR94 408 483 485  
APE 2612Z

Tel. : +33 380 48 65 68  
contact@louss.fr  
[www.louss.fr](http://www.louss.fr)  
Best & LOUSS

Siège social / Head Office  
PA Les Terres d'Or  
Route de Saint Philibert  
21220 Gevrey Chambertin - FRANCE

# LOUSS

Lighting Emotion



## ANELO 60





## ANELO 60

<b>Range</b>	Architectural floodlighting
<b>Description</b>	Aluminum body Stainless steel fixing bracket Transparent polycarbonate protector, with anti-UV treatment
<b>Finish</b>	Natural anodized aluminum (other upon request)
<b>Dimensions</b>	External diameter : 62mm Spotlight length : 70.25mm
<b>Weight</b>	0.30 kg
<b>LED characteristics</b>	<b>1 LED monochrome</b> : 2200K – 2700K – 3000K – 4000K – 5000K – 6500K (other upon request) <b>4in1 LED</b> : Tunable White or RGBW CRI 80 – CRI 90 (R9>50) - CRI 95 (R9>80)
<b>Optics</b>	<b>Monochrome / Tunable White</b> : 4° - 6° - 15° - 35° <b>LED 4in1 RGBW</b> : 12° - 24° - 32° - 10°x40° (other upon request)
<b>Accessories</b>	Filters, honeycomb grid upon request
<b>Connection</b>	Supplied with 1m cable (more length upon request) Individual or serial connection on external constant current driver
<b>Separate power supply</b>	<b>1 LED</b> : 700mA max. external constant current driver <b>4in1 LED</b> : 350mA max. external constant current driver For the USA & Canada use a UL class 2 driver
<b>LED power</b>	<b>1 LED</b> : 2.4W at 700mA max. <b>4in1 LED</b> : 8.0W at 350mA max.
<b>Use limitations</b>	The drivers, if not delivered by LOuss, must be approved before use
<b>Warranty</b>	Life span: L80B10 at 50,000 hours (80% remaining flux) at 25°C ambient temperature 3-year parts and labor warranty The warranty does not apply to products that have been opened, modified or repaired and does not cover the effects of a wrong connection, careless, abusive handling, overvoltage, lighting injury, as well as the normal wear of the product All products are electrically tested and received a functional burn-in

All the connections have to be made before powering up,  
otherwise the luminaires could be seriously damaged

Creation : 2019.02.01 / Last update : 2026.04.02

LOuss

BEST SAS, Capital 200 000€  
RCS Dijon B 408 483 485  
TVA/VAT n° : FR94 408 483 485  
APE 2612Z

Tel. : +33 380 48 65 68  
contact@louss.fr  
[www.louss.fr](http://www.louss.fr)  
Best & LOuss

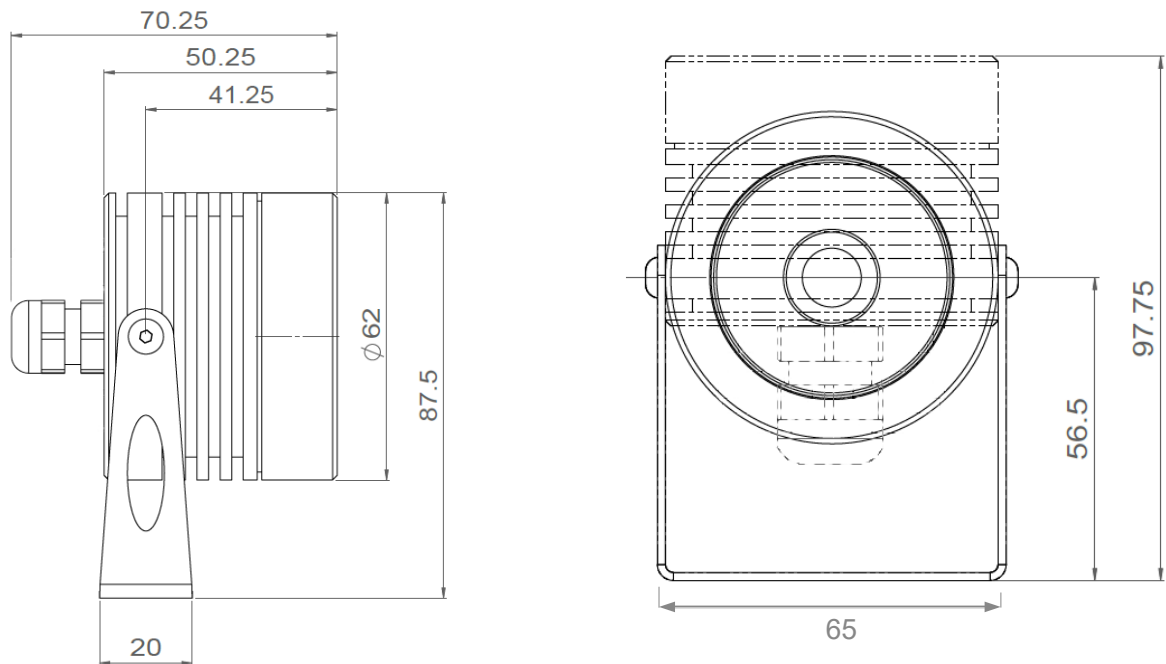
Siège social / Head Office  
PA Les Terres d'Or  
Route de Saint Philibert  
21220 Gevrey Chambertin - FRANCE

2/3

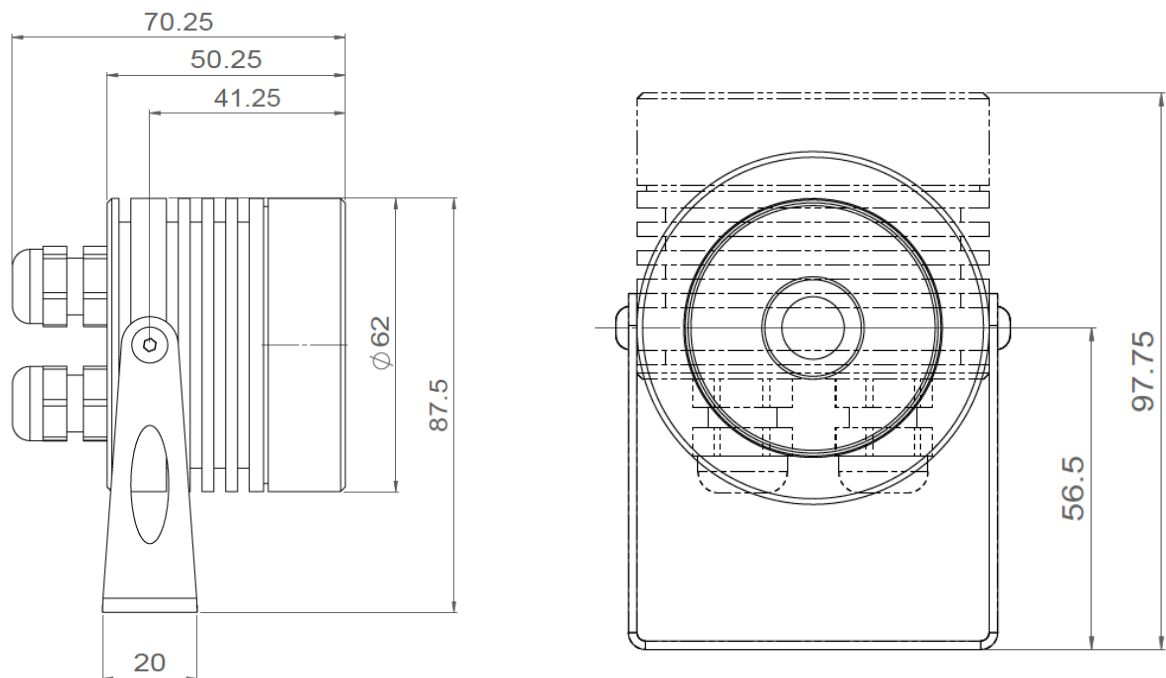


## ANELO 60

### Individual connection



### Daisy-chain connection



All the connections have to be made before powering up,  
otherwise the luminaires could be seriously damaged

Creation : 2019.02.01 / Last update : 2026.04.02

LOUSS

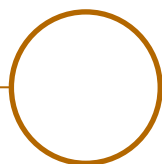
BEST SAS, Capital 200 000€  
RCS Dijon B 408 483 485  
TVA/VAT n° : FR94 408 483 485  
APE 2612Z

Tel. : +33 380 48 65 68  
contact@louss.fr  
[www.louss.fr](http://www.louss.fr)  
Best & LOUSS

Siège social / Head Office  
PA Les Terres d'Or  
Route de Saint Philibert  
21220 Gevrey Chambertin - FRANCE

# LOUSS

Lighting Emotion



## ANELO 85





## ANELO 85

<b>Range</b>	Architectural floodlighting
<b>Description</b>	Aluminum body Stainless steel fixing bracket Transparent polycarbonate protector, with anti-UV treatment
<b>Finish</b>	Natural anodized aluminum (other upon request)
<b>Dimensions</b>	External diameter : 85mm Spotlight length : 76mm
<b>Weight</b>	0.60 kg
<b>LED characteristics</b>	<b>6 LEDs monochrome</b> : 2200K – 2700K – 3000K – 4000K – 5000K – 6500K <b>8 LEDs</b> : Tunable White or RGBW CRI 80 – CRI 90 (R9>50) - CRI 95 (R9>80)
<b>Optics</b>	<b>Simple LEDs</b> : 15° - 20° - 35° - 40° - 60° - 80° - 18°x36° (other upon request) <b>4in1 LEDs</b> : 20° - 30° - 55° - 70°
<b>Accessories</b>	Filters, honeycomb grid upon request
<b>Connection</b>	Supplied with 1m cable (more length upon request) Individual or serial connection on external constant current driver
<b>Separate power supply</b>	<b>Simple LEDs</b> : 700mA max. external constant current driver <b>4in1 LEDs</b> : 350mA max. external constant current driver <b>RGBW</b> : 500mA max external constant current driver For the USA & Canada use a UL class 2 driver
<b>LED power</b>	<b>6 LEDs monochrome</b> : 12W max. <b>8 LEDs RGBW / Tunable White</b> : 15W max.
<b>Use limitations</b>	The drivers, if not delivered by LOuss, must be approved before use
<b>Warranty</b>	Life span: L80B10 at 50,000 hours (80% remaining flux) at 25°C ambient temperature 3-year parts and labor warranty The warranty does not apply to products that have been opened, modified or repaired and does not cover the effects of a wrong connection, careless, abusive handling, overvoltage, lighting injury, as well as the normal wear of the product All products are electrically tested and received a functional burn-in

All the connections have to be made before powering up,  
otherwise the luminaires could be seriously damaged

Creation : 2019.02.04 / Last update : 2026.04.02

LOuss

2/3

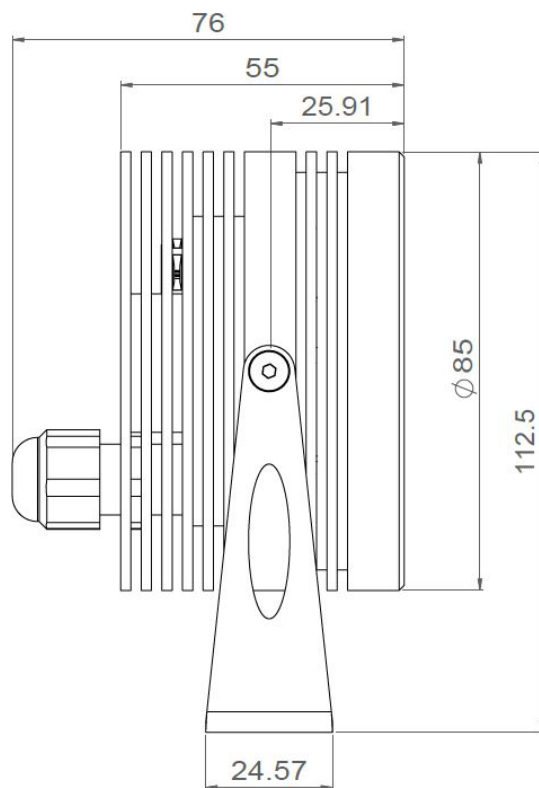
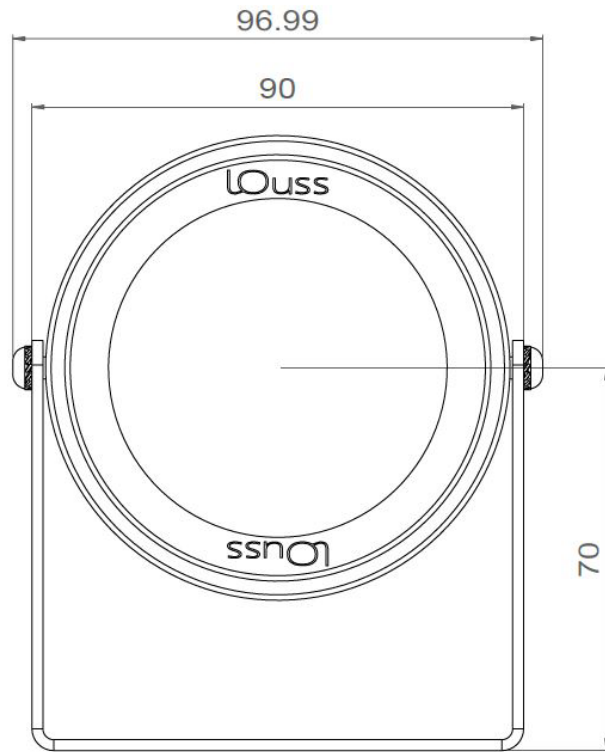
BEST SAS, Capital 200 000€  
RCS Dijon B 408 483 485  
TVA/VAT n° : FR94 408 483 485  
APE 2612Z

Tel. : +33 380 48 65 68  
contact@louss.fr  
[www.louss.fr](http://www.louss.fr)  
Best & LOuss

Siège social / Head Office  
PA Les Terres d'Or  
Route de Saint Philibert  
21220 Gevrey Chambertin - FRANCE



## ANELO 85



All the connections have to be made before powering up,  
otherwise the luminaires could be seriously damaged

Creation : 2019.02.04 / Last update : 2026.04.02

LOUSS

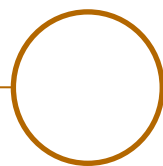
BEST SAS, Capital 200 000€  
RCS Dijon B 408 483 485  
TVA/VAT n° : FR94 408 483 485  
APE 2612Z

Tel. : +33 380 48 65 68  
contact@louss.fr  
[www.louss.fr](http://www.louss.fr)  
Best & LOUSS

Siège social / Head Office  
PA Les Terres d'Or  
Route de Saint Philibert  
21220 Gevrey Chambertin - FRANCE

# Wouss

Lighting Emotion



## ANELO 130







## ANELO 130

<b>Range</b>	Architectural floodlighting
<b>Description</b>	Aluminum body Stainless steel fixing bracket Extra clear tempered glass
<b>Finish</b>	Natural anodized aluminum (other upon request)
<b>Dimensions</b>	External diameter : 130mm Spotlight length : 59mm
<b>Weight</b>	1.30 kg
<b>LED characteristics</b>	6 or 12 LEDs monochrome : 2200K – 2700K – 3000K – 4000K – 5000K – 6500K 6x 4in1 LEDs : RGBW 12 LEDs : Tunable White CRI 80 – CRI 90 (R9>50) - CRI 95 (R9>80)
<b>Optics</b>	Simple LED : 6° - 15° - 20° - 30° - 40° - 60° (other upon request) 4in1 LED : 20° - 30° - 55° - 70°
<b>Accessories</b>	Filters, honeycomb grid upon request
<b>Connection</b>	Supplied with 1m cable (more length upon request) Individual or serial connection on external constant current driver
<b>Separate power supply</b>	Simple LED : 700mA max. external constant current driver 4in1 LED : 350mA max. external constant current driver For the USA & Canada use a UL class 2 driver
<b>LED power</b>	6 LEDs monochrome : 12W max. 12 LEDs monochrome / RGBW : 28.8W max.
<b>Use limitations</b>	The drivers, if not delivered by LOuss, must be approved before use
<b>Warranty</b>	Life span: L80B10 at 50,000 hours (80% remaining flux) at 25°C ambient temperature 3-year parts and labor warranty The warranty does not apply to products that have been opened, modified or repaired and does not cover the effects of a wrong connection, careless, abusive handling, overvoltage, lighting injury, as well as the normal wear of the product All products are electrically tested and received a functional burn-in

All the connections have to be made before powering up,  
otherwise the luminaires could be seriously damaged

Creation : 2019.02.04 / Last update : 2026.04.02

LOuss

BEST SAS, Capital 200 000€  
RCS Dijon B 408 483 485  
TVA/VAT n° : FR94 408 483 485  
APE 2612Z

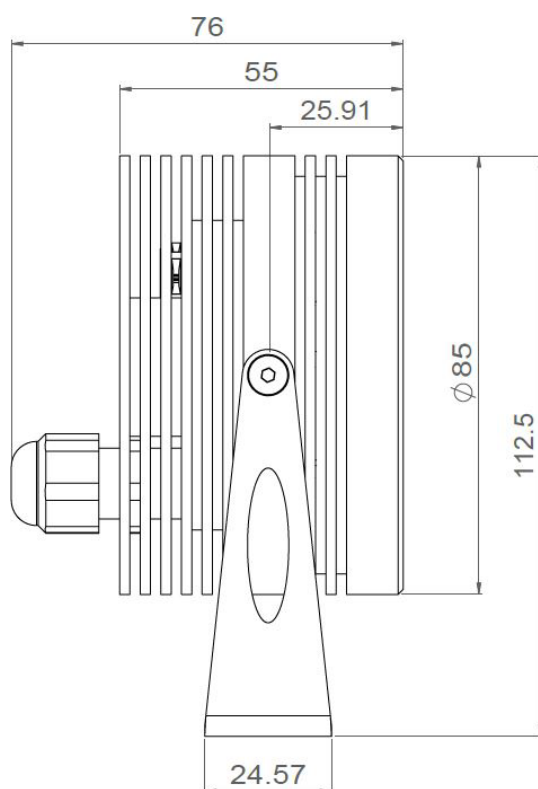
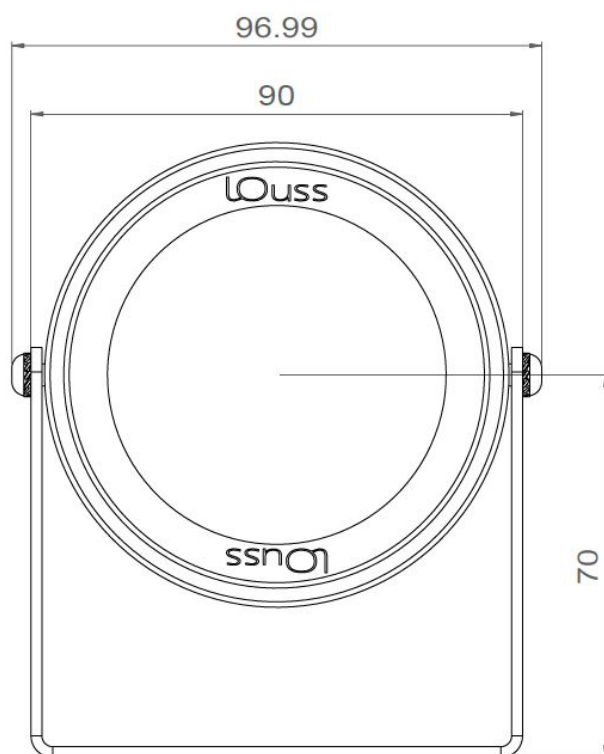
Tel. : +33 380 48 65 68  
contact@louss.fr  
[www.louss.fr](http://www.louss.fr)  
Best & LOuss

Siège social / Head Office  
PA Les Terres d'Or  
Route de Saint Philibert  
21220 Gevrey Chambertin - FRANCE

2/3



## ANELO 130



All the connections have to be made before powering up,  
otherwise the luminaires could be seriously damaged

Creation : 2019.02.04 / Last update : 2026.04.02

LOUSS

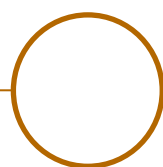
BEST SAS, Capital 200 000€  
RCS Dijon B 408 483 485  
TVA/VAT n° : FR94 408 483 485  
APE 2612Z

Tel. : +33 380 48 65 68  
contact@louss.fr  
[www.louss.fr](http://www.louss.fr)  
Best & LOUSS

Siège social / Head Office  
PA Les Terres d'Or  
Route de Saint Philibert  
21220 Gevrey Chambertin - FRANCE

# Wouss

Lighting Emotion



## ANELO 200





## ANELO 200

<b>Range</b>	Architectural floodlighting
<b>Description</b>	Aluminum body Stainless steel fixing bracket Extra clear tempered glass Adjustable tilt 270°
<b>Finish</b>	Natural anodized aluminum (other upon request)
<b>Dimensions</b>	External diameter : 200mm Spotlight length : 67mm
<b>Weight</b>	3.10 kg
<b>LED characteristics</b>	<b>18 LEDs monochrome</b> : 2200K – 2700K – 3000K – 4000K – 5000K – 6500K <b>24 LEDs</b> : Tunable White or RGBW CRI 80 – CRI 90 (R9>50) - CRI 95 (R9>80)
<b>Optics</b>	7° - 15° - 30° - 35° - 40° - 60° (other upon request)
<b>Accessories</b>	Filters, honeycomb grid upon request
<b>Connection</b>	Supplied with 1m cable (more length upon request) Individual or serial connection on external constant current driver
<b>Separate power supply</b>	700mA max. external constant current driver For the USA & Canada use a UL class 2 driver
<b>LED power</b>	<b>18 LEDs monochromes</b> : 36W max. <b>24 LEDs RGBW / Tunable White</b> : 45W max. (full RGBW)
<b>Use limitations</b>	The drivers, if not delivered by LOuss, must be approved before use
<b>Warranty</b>	Life span: L80B10 at 50,000 hours (80% remaining flux) at 25°C ambient temperature 3-year parts and labor warranty The warranty does not apply to products that have been opened, modified or repaired and does not cover the effects of a wrong connection, careless, abusive handling, overvoltage, lighting injury, as well as the normal wear of the product All products are electrically tested and received a functional burn-in

All the connections have to be made before powering up,  
otherwise the luminaires could be seriously damaged

Creation : 2019.02.04 / Last update : 2026.04.03

LOuss

BEST SAS, Capital 200 000€  
RCS Dijon B 408 483 485  
TVA/VAT n° : FR94 408 483 485  
APE 2612Z

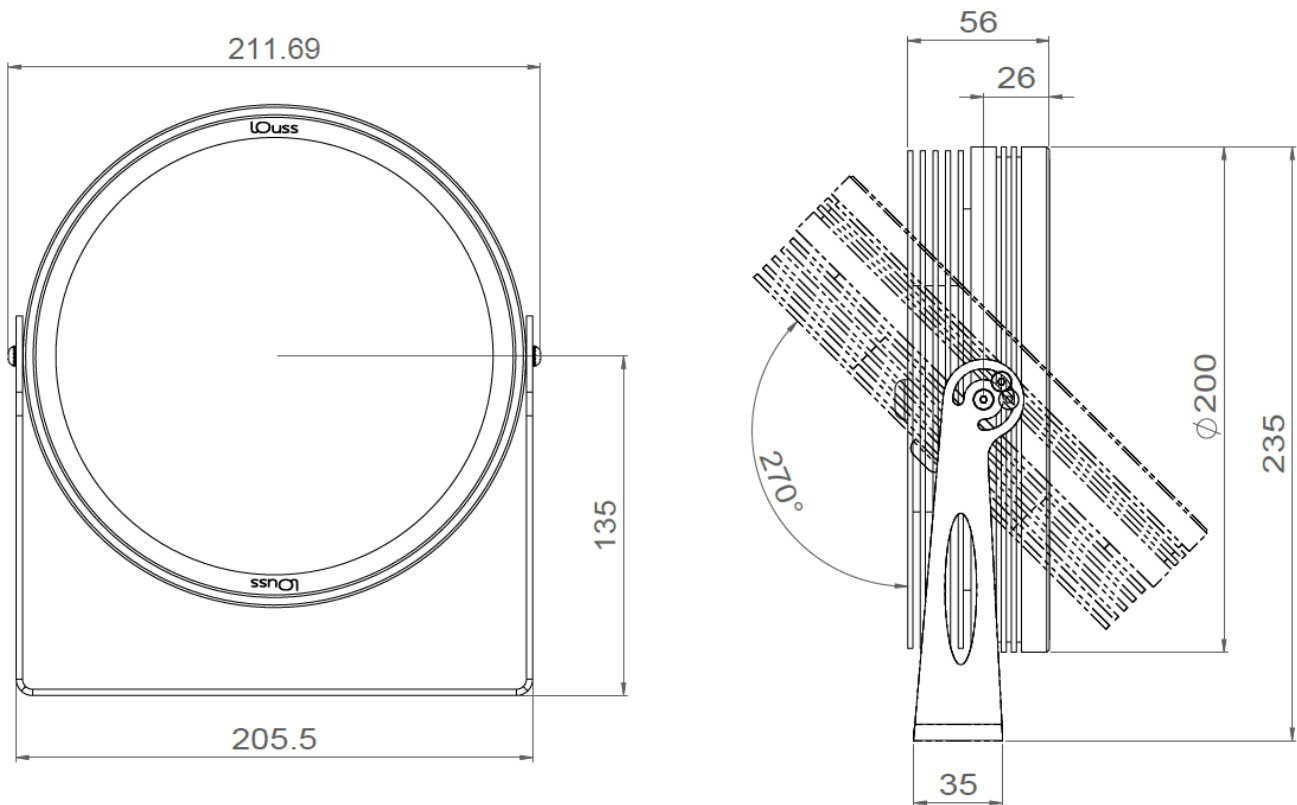
Tel. : +33 380 48 65 68  
contact@louss.fr  
[www.louss.fr](http://www.louss.fr)  
Best & LOuss

Siège social / Head Office  
PA Les Terres d'Or  
Route de Saint Philibert  
21220 Gevrey Chambertin - FRANCE

2/3



## ANELO 200



All the connections have to be made before powering up,  
otherwise the luminaires could be seriously damaged

Creation : 2019.02.04 / Last update : 2026.04.03

3/3

LOUSS

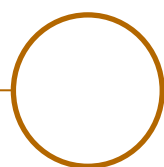
BEST SAS, Capital 200 000€  
RCS Dijon B 408 483 485  
TVA/VAT n° : FR94 408 483 485  
APE 2612Z

Tel. : +33 380 48 65 68  
contact@louss.fr  
[www.louss.fr](http://www.louss.fr)  
Best & LOUSS

Siège social / Head Office  
PA Les Terres d'Or  
Route de Saint Philibert  
21220 Gevrey Chambertin - FRANCE

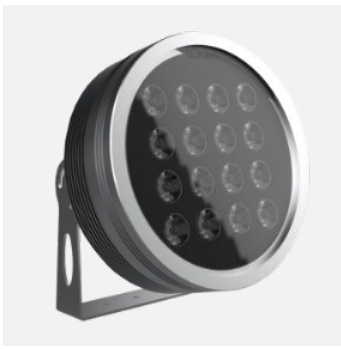
# Wouss

Lighting Emotion



## ANELO 250





## ANELO 250

<b>Range</b>	Architectural floodlighting
<b>Description</b>	Aluminum body Stainless steel fixing bracket Extra clear tempered glass Adjustable tilt 180°
<b>Finish</b>	Natural anodized aluminum (other upon request)
<b>Dimensions</b>	External diameter : 250mm Spotlight length : 80mm
<b>LED characteristics</b>	64 LEDs (16 groups of 4 LEDs) : 2200K – 2700K – 3000K – 4000K – 5000K – 6500K 64 LEDs (16 groups of 4 LEDs) : Tunable White or RGBW CRI 80 – CRI 90 (R9>50) - CRI 95 (R9>80)
<b>Optics</b>	12° - 15° - 20° - 30° - 35° - 40° - 50° - 55° - 80° - 100° - 120° (other upon request)
<b>Accessories</b>	Filters, honeycomb grid upon request
<b>Connection</b>	Supplied with 1m cable (more length upon request) Individual or serial connection on external constant current driver
<b>Separate power supply</b>	1A max. / 55V max. external constant current driver RGBW version : DMX constant current driver For the USA & Canada use a UL class 2 driver
<b>LED power</b>	16 groups of 4 LEDs Monochrome / Twin White / RGBW : → 64 LED in total → 40W max / group → Total capacity : 100W
<b>Use limitations</b>	The drivers, if not delivered by LOuss, must be approved before use
<b>Warranty</b>	Life span: L80B10 at 50,000 hours (80% remaining flux) at 25°C ambient temperature 3-year parts and labor warranty The warranty does not apply to products that have been opened, modified or repaired and does not cover the effects of a wrong connection, careless, abusive handling, overvoltage, lighting injury, as well as the normal wear of the product All products are electrically tested and received a functional burn-in

All the connections have to be made before powering up,  
otherwise the luminaires could be seriously damaged

Creation : 2019.02.04 / Last update : 2026.04.03

LOuss

BEST SAS, Capital 200 000€  
RCS Dijon B 408 483 485  
TVA/VAT n° : FR94 408 483 485  
APE 2612Z

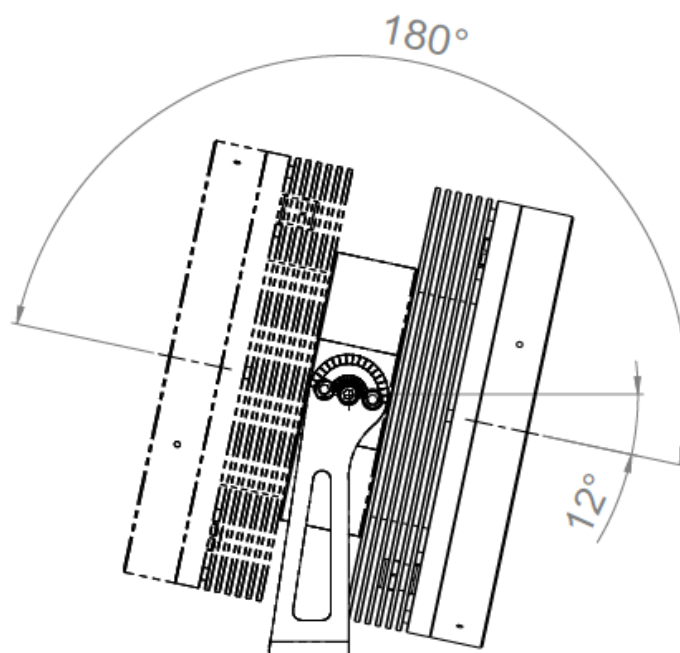
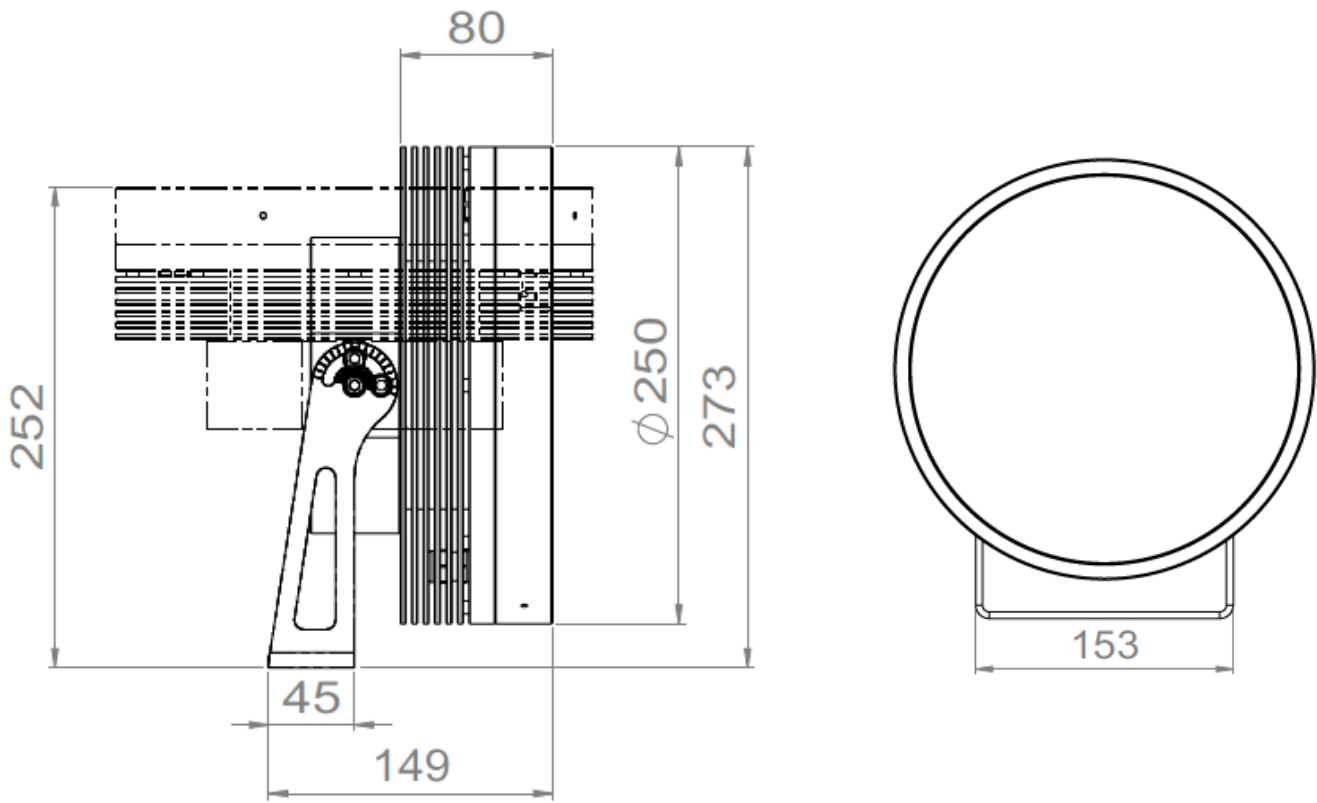
Tel. : +33 380 48 65 68  
contact@louss.fr  
[www.louss.fr](http://www.louss.fr)  
Best & LOuss

Siège social / Head Office  
PA Les Terres d'Or  
Route de Saint Philibert  
21220 Gevrey Chambertin - FRANCE

2/3



## ANELO 250



All the connections have to be made before powering up,  
otherwise the luminaires could be seriously damaged

Creation : 2019.02.04 / Last update : 2026.04.03

LOUSS

BEST SAS, Capital 200 000€  
RCS Dijon B 408 483 485  
TVA/VAT n° : FR94 408 483 485  
APE 2612Z

Tel. : +33 380 48 65 68  
contact@louss.fr  
[www.louss.fr](http://www.louss.fr)  
Best & LOUSS

Siège social / Head Office  
PA Les Terres d'Or  
Route de Saint Philibert  
21220 Gevrey Chambertin - FRANCE