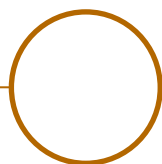


Wouss

Lighting Emotion



ANELO 85





ANELO 85

Range	Architectural floodlighting
Description	Aluminum body Stainless steel fixing bracket Transparent polycarbonate protector, with anti-UV treatment
Finish	Natural anodized aluminum (other upon request)
Dimensions	External diameter : 85mm Spotlight length : 76mm
Weight	0.60 kg
LED characteristics	6 LEDs monochrome : 2200K – 2700K – 3000K – 4000K – 5000K – 6500K 8 LEDs : Tunable White or RGBW CRI 80 – CRI 90 (R9>50) - CRI 95 (R9>80)
Optics	Simple LEDs : 15° - 20° - 35° - 40° - 60° - 80° - 18°x36° (other upon request) 4in1 LEDs : 20° - 30° - 55° - 70°
Accessories	Filters, honeycomb grid upon request
Connection	Supplied with 1m cable (more length upon request) Individual or serial connection on external constant current driver
Separate power supply	Simple LEDs : 700mA max. external constant current driver 4in1 LEDs : 350mA max. external constant current driver RGBW : 500mA max external constant current driver For the USA & Canada use a UL class 2 driver
LED power	6 LEDs monochrome : 12W max. 8 LEDs RGBW / Tunable White : 15W max.
Use limitations	The drivers, if not delivered by LOuss, must be approved before use
Warranty	Life span: L80B10 at 50,000 hours (80% remaining flux) at 25°C ambient temperature 3-year parts and labor warranty The warranty does not apply to products that have been opened, modified or repaired and does not cover the effects of a wrong connection, careless, abusive handling, overvoltage, lighting injury, as well as the normal wear of the product All products are electrically tested and received a functional burn-in

All the connections have to be made before powering up,
otherwise the luminaires could be seriously damaged

Creation : 2019.02.04 / Last update : 2026.04.02

LOuss

2/3

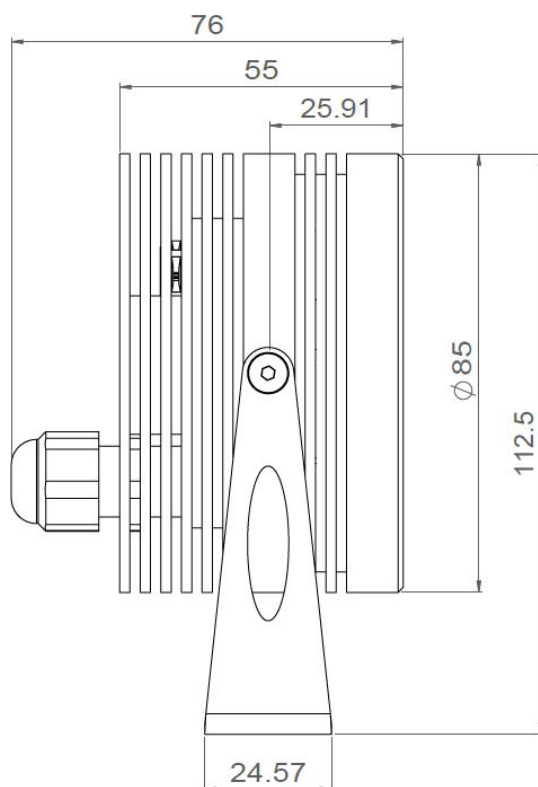
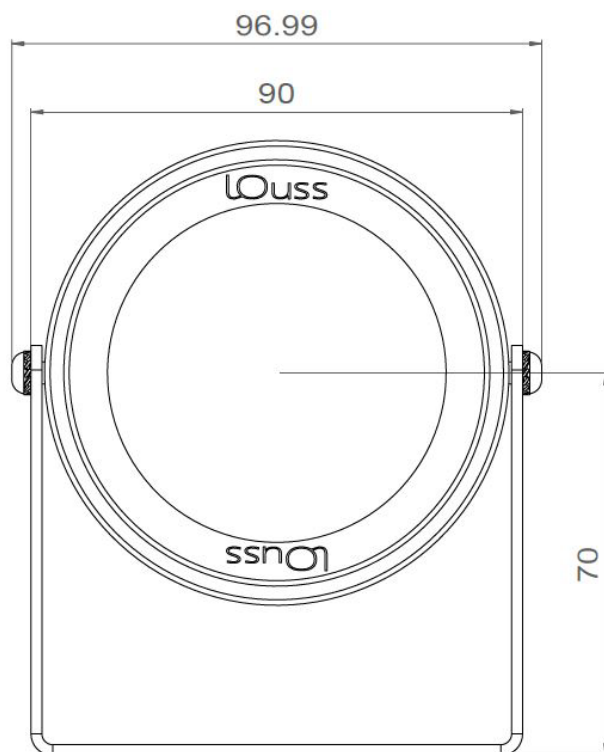
BEST SAS, Capital 200 000€
RCS Dijon B 408 483 485
TVA/VAT n° : FR94 408 483 485
APE 2612Z

Tel. : +33 380 48 65 68
contact@louss.fr
www.louss.fr
Best & LOuss

Siège social / Head Office
PA Les Terres d'Or
Route de Saint Philibert
21220 Gevrey Chambertin - FRANCE



ANELO 85



All the connections have to be made before powering up,
otherwise the luminaires could be seriously damaged

Creation : 2019.02.04 / Last update : 2026.04.02

LOUSS

BEST SAS, Capital 200 000€
RCS Dijon B 408 483 485
TVA/VAT n° : FR94 408 483 485
APE 2612Z

Tel. : +33 380 48 65 68
contact@louss.fr
www.louss.fr
Best & LOUSS

Siège social / Head Office
PA Les Terres d'Or
Route de Saint Philibert
21220 Gevrey Chambertin - FRANCE