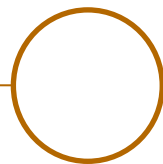


# LOUSS

Lighting Emotion



## ANELO 50





## ANELO 50

<b>Range</b>	Architectural floodlighting
<b>Description</b>	Aluminum body Stainless steel fixing bracket Transparent polycarbonate protector, with anti-UV treatment
<b>Finish</b>	Natural anodized aluminum (other upon request)
<b>Dimensions</b>	External diameter : 50mm Spotlight length : 61mm
<b>Weight</b>	0.22 kg
<b>LED characteristics</b>	1 or 4in1 LED : 2200K – 2700K – 3000K – 4000K – 5000K – 6500K (other upon request) CRI 80 – CRI 90 (R9>50) - CRI 95 (R9>80)
<b>Optics</b>	3° - 6° - 15° - 35° - 40° (other upon request)
<b>Accessories</b>	Filters, honeycomb grid upon request
<b>Connection</b>	Supplied with 1m cable (more length upon request) Individual or serial connection on external constant current driver
<b>Separate power supply</b>	<b>1 LED</b> : 700mA max. external constant current driver <b>4in1 LED</b> : 350mA max. external constant current driver For the USA & Canada use a UL class 2 driver
<b>LED power</b>	<b>1 LED</b> : 2.4W at 700mA max. <b>4in1 LED</b> : 4.0W at 350mA max.
<b>Use limitations</b>	The drivers, if not delivered by LOuss, must be approved before use
<b>Warranty</b>	Life span: L80B10 at 50,000 hours (80% remaining flux) at 25°C ambient temperature 3-year parts and labor warranty The warranty does not apply to products that have been opened, modified or repaired and does not cover the effects of a wrong connection, careless, abusive handling, overvoltage, lighting injury, as well as the normal wear of the product All products are electrically tested and received a functional burn-in

All the connections have to be made before powering up,  
otherwise the luminaires could be seriously damaged

Creation : 2019.02.01 / Last update : 2026.04.02

LOuss

BEST SAS, Capital 200 000€  
RCS Dijon B 408 483 485  
TVA/VAT n° : FR94 408 483 485  
APE 2612Z

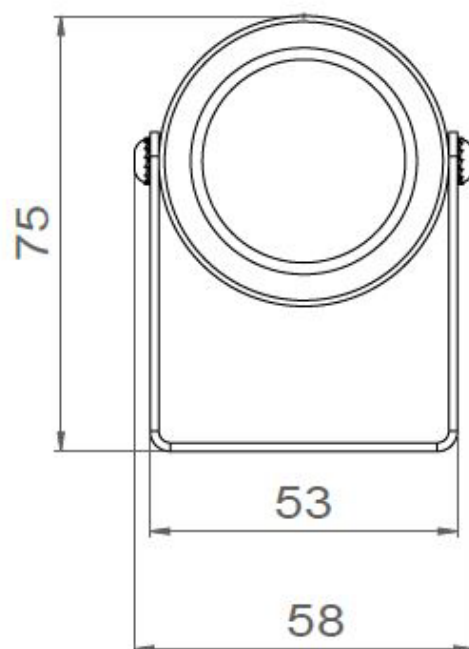
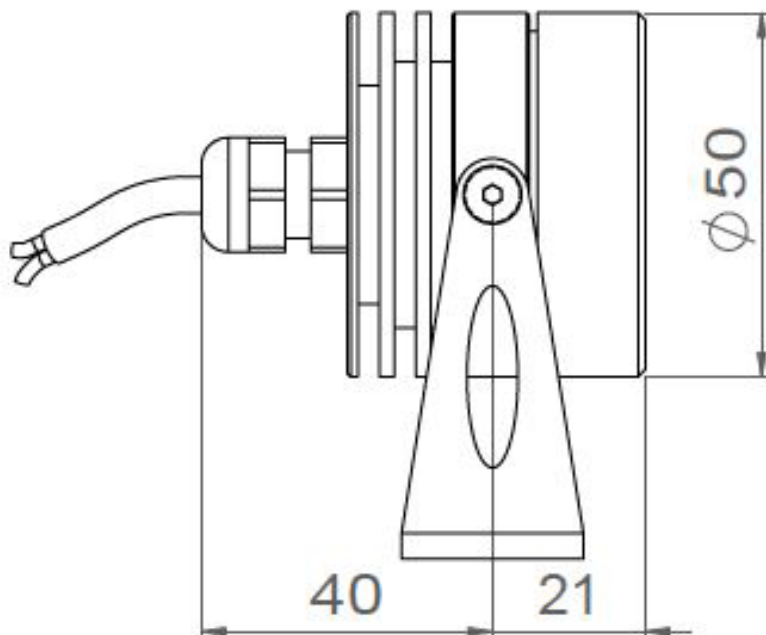
Tel. : +33 380 48 65 68  
contact@louss.fr  
[www.louss.fr](http://www.louss.fr)  
Best & LOuss

Siège social / Head Office  
PA Les Terres d'Or  
Route de Saint Philibert  
21220 Gevrey Chambertin - FRANCE

2/3



## ANELO 50 Dimensions



All the connections have to be made before powering up,  
otherwise the luminaires could be seriously damaged

Creation : 2019.02.01 / Last update : 2026.04.02

3/3

LOUSS

BEST SAS, Capital 200 000€  
RCS Dijon B 408 483 485  
TVA/VAT n° : FR94 408 483 485  
APE 2612Z

Tel. : +33 380 48 65 68  
contact@louss.fr  
[www.louss.fr](http://www.louss.fr)  
Best & LOUSS

Siège social / Head Office  
PA Les Terres d'Or  
Route de Saint Philibert  
21220 Gevrey Chambertin - FRANCE