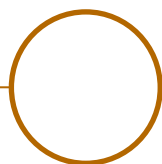


Wouss

Lighting Emotion



ANELO 45





ANELO 45

Range	Architectural floodlighting
Description	Aluminum body Stainless steel fixing bracket Transparent polycarbonate protector, with anti-UV treatment Adjustable tilt 180°
Finish	White RAL 9003 or BLACK RAL 9005 thermo-lacquered paint (other upon request)
Dimensions	Spotlight diameter : 45mm Spotlight length : 73.5mm
Weight	0.20 kg
LED characteristics	1 or 4 LED(s) : 2200K – 2700K – 3000K – 4000K – 5000K – 6500K (other upon request) CRI 80 – CRI 90 (R9>50) - CRI 95 (R9>80)
Optics	6° - 15° - 35° - 55° - Elliptical (other upon request)
Accessories	Filters, honeycomb grid upon request
Connection	Supplied with 1m cable (more length upon request) Individual or serial connection on external constant current driver
Separate power supply	700mA max. external constant current driver For the USA & Canada use a UL class 2 driver
LED power	1 LED : 2.1W at 700mA max. 4 LEDs : 8.4W at 700mA max.
Use limitations	The drivers, if not delivered by LOuss, must be approved before use
Warranty	Life span: L80B10 at 50,000 hours (80% remaining flux) at 25°C ambient temperature 3-year parts and labor warranty The warranty does not apply to products that have been opened, modified or repaired and does not cover the effects of a wrong connection, careless, abusive handling, overvoltage, lighting injury, as well as the normal wear of the product All products are electrically tested and received a functional burn-in

All the connections have to be made before powering up,
otherwise the luminaires could be seriously damaged

Creation : 2023.05.11 / Last update : 2026.04.02

2/3

LOuss

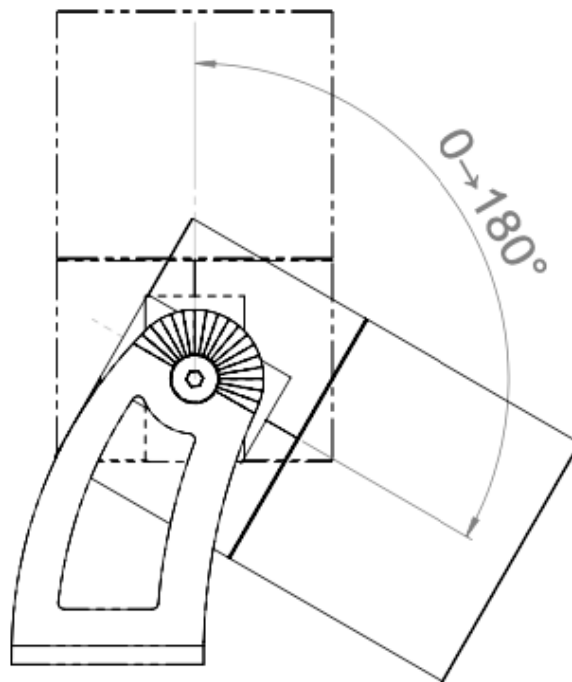
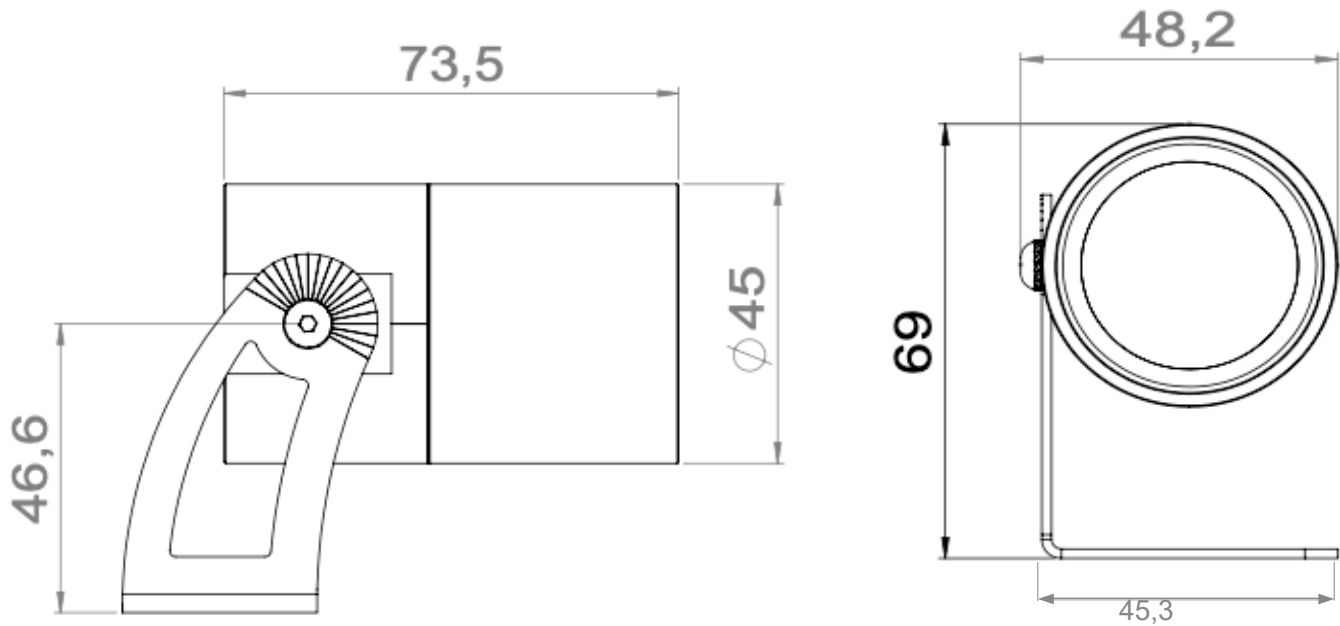
BEST SAS, Capital 200 000€
RCS Dijon B 408 483 485
TVA/VAT n° : FR94 408 483 485
APE 2612Z

Tel. : +33 380 48 65 68
contact@louss.fr
www.louss.fr
Best & LOuss

Siège social / Head Office
PA Les Terres d'Or
Route de Saint Philibert
21220 Gevrey Chambertin - FRANCE



ANELO 45 Dimensions



All the connections have to be made before powering up,
otherwise the luminaires could be seriously damaged

Creation : 2023.05.11 / Last update : 2026.04.02

LOUSS

BEST SAS, Capital 200 000€
RCS Dijon B 408 483 485
TVA/VAT n° : FR94 408 483 485
APE 2612Z

Tel. : +33 380 48 65 68
contact@louss.fr
www.louss.fr
Best & LOUSS

Siège social / Head Office
PA Les Terres d'Or
Route de Saint Philibert
21220 Gevrey Chambertin - FRANCE