

LOUSS

Lighting Emotion



Adjustable



Adjustable
Low Luminance Straight



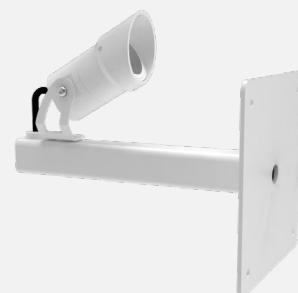
Adjustable
Low Luminance Beveled



Adjustable Remote



Adjustable Remote
Low Luminance Straight



Adjustable Remote
Low Luminance Beveled



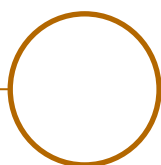
Fixed



Fixed
Low Luminance Straight

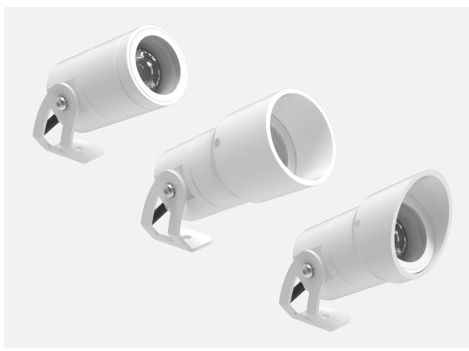


Fixed
Low Luminance Beveled



ANELO 30

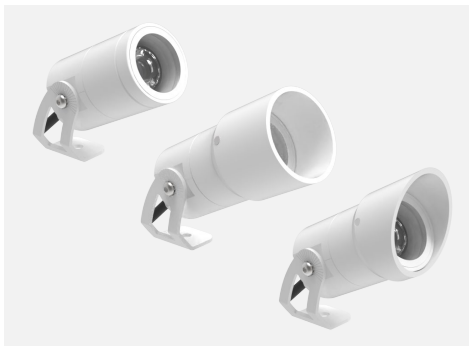




ANELO 30 • Adjustable • Adjustable Remote • Fixed

Range	Architectural floodlighting		
Description	Adjustable	Adjustable Remote	FIXEDd
	Aluminum body Stainless steel fixing device and support Rotation (see page 4) 90° on each side Tilt (see page 4) 90° up 60° down	Aluminum spotlight mounted on a stainless steel arm Cable output behind or under the arm (according to customer's request) Rotation (see pages 5-7) 60° on each side Tilt (see pages 5-7) 90° up 24° down (without tube) 10° down (straight tube) 19° down (beveled tube)	Aluminum body Stainless steel fixing device and support No rotation No tilt
	Transparent polycarbonate protector, with anti-UV treatment Simple version (without tube) or Low Luminance version (Straight or Beveled tube)		
Finish	White RAL 9003 or BLACK RAL 9005 thermo-lacquered paint (other upon request)		
Dimensions	Adjustable	Adjustable Remote	FIXEDd
	Spotlight length - 47mm (Simple) - 66mm (Low Luminance) Length with fixing device - 66mm (Simple) - 85mm (Low Luminance)	SPOTLIGHT Length - 47mm (Simple) - 66mm (Low Luminance) Length with fixing device - 67mm (Simple) - 86mm (Low Luminance) ARM Length - 100mm – 150mm - 300mm (other upon request) Metal plate - 100x100mm	Length - 51mm (Simple) - 69mm (Low Luminance)
	Spotlight diameter: 30mm (Simple) 34mm (Low luminance)		
Weight	Adjustable	Adjustable Remote	FIXEDd
	0.188 kg (Simple) 0.218 kg (Low Luminance)	Spot : 0.188kg (Simple) 0.218kg (Low Lumin.) Metal plate: 0.160kg Arm : 1.2kg/m	0.180 kg (Simple) 0.210 kg (Low Luminance)

All the connections have to be made before powering up, otherwise the luminaires could be seriously damaged



ANELO 30 • Adjustable • Adjustable Remote • Fixed

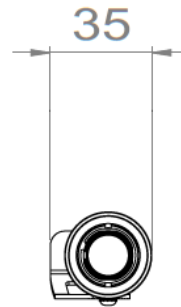
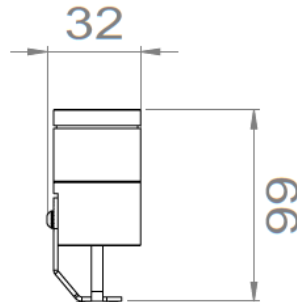
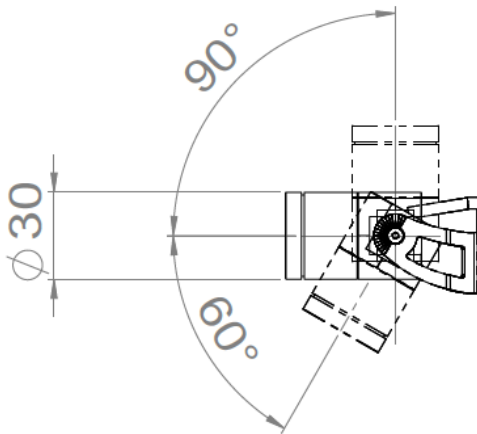
LED characteristics	1 LED : 2200K – 2700K - 3000K – 4000K – 5000K – 6500K (other upon request) CRI 80 – 90 – 95
Optics	10° - 12° - 15° - 35° - 55° - Elliptical (other upon request)
Accessories	Honeycomb grid, filters
Connection	Supplied with 1m cable (more length upon request) Individual or serial connection on external constant current driver
Separate power supply	900mA max. external constant current driver according to LED type
LED Power	3W at 900mA max.
Use limitations	The drivers, if not delivered by LOuss, must be approved before use
Warranty	Life span: L80B10 at 50,000 hours (80% remaining flux) at 25°C ambient temperature 3-year parts and labor warranty The warranty does not apply to products that have been opened, modified or repaired and does not cover the effects of a wrong connection, careless, abusive handling, overvoltage, lighting injury, as well as the normal wear of the product All products are electrically tested and received a functional burn-in

All the connections have to be made before powering up, otherwise the luminaires could be seriously damaged

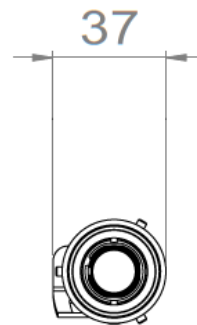
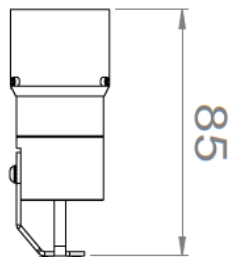
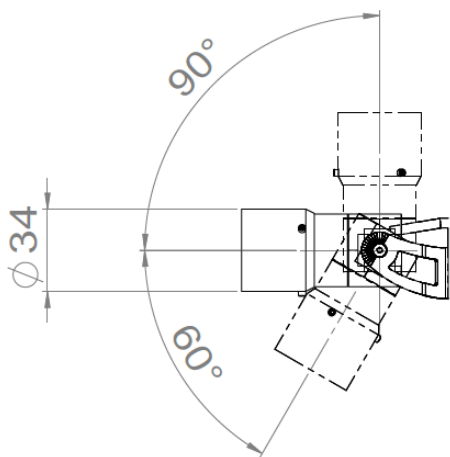


ANELO 30 ADJUSTABLE Dimensions

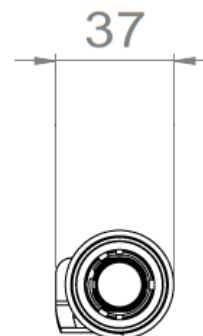
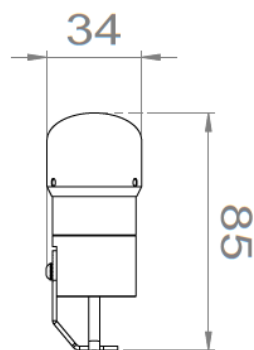
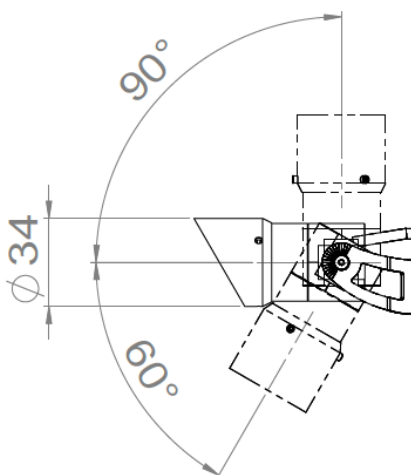
Simple version



Low Luminance Straight version



Low Luminance Beveled version



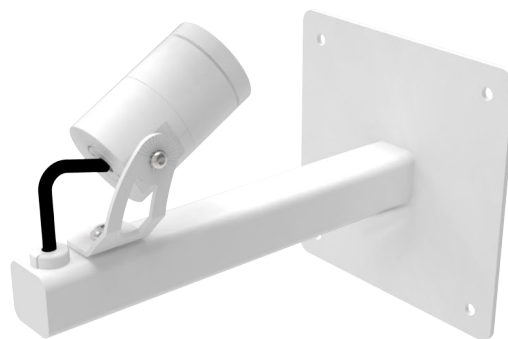
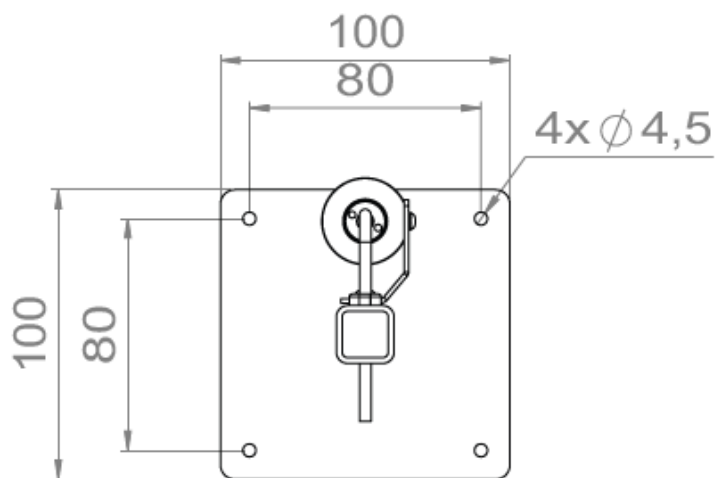
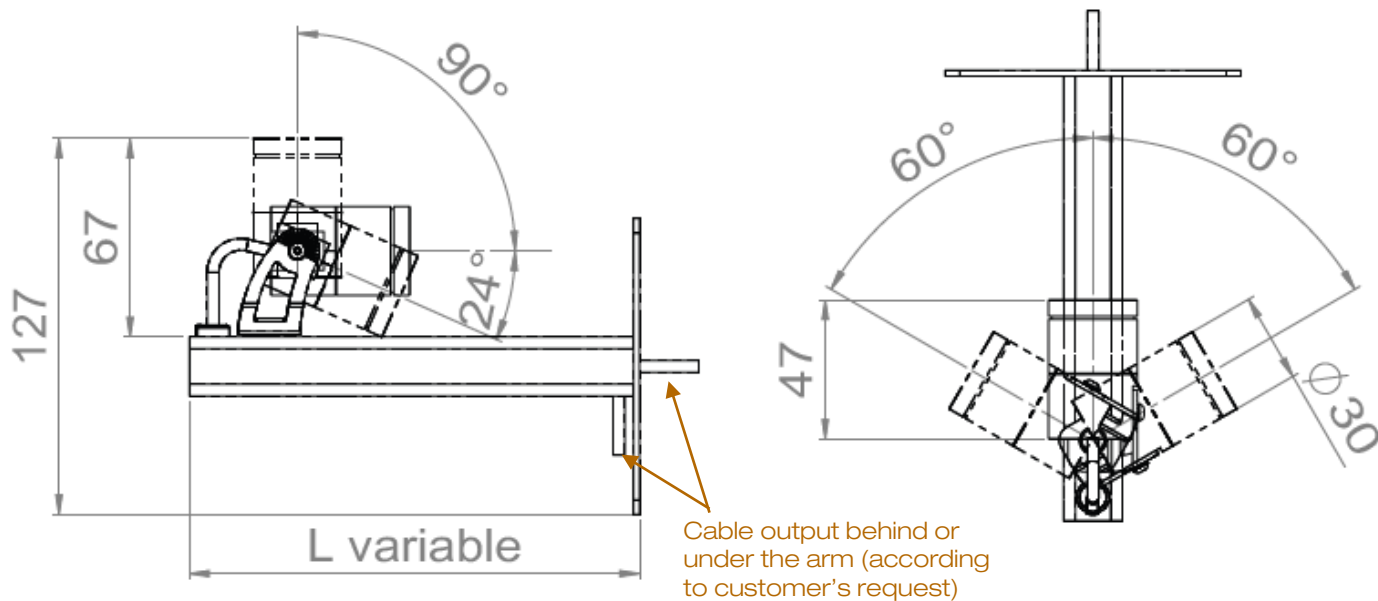
All the connections have to be made before powering up, otherwise the luminaires could be seriously damaged



ANELO 30 ADJUSTABLE REMOTE

Dimensions

Simple version



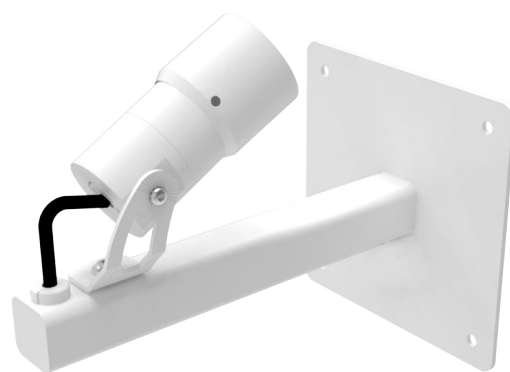
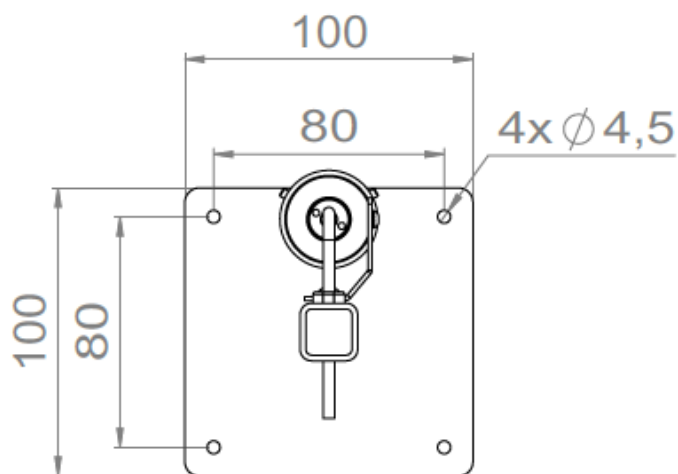
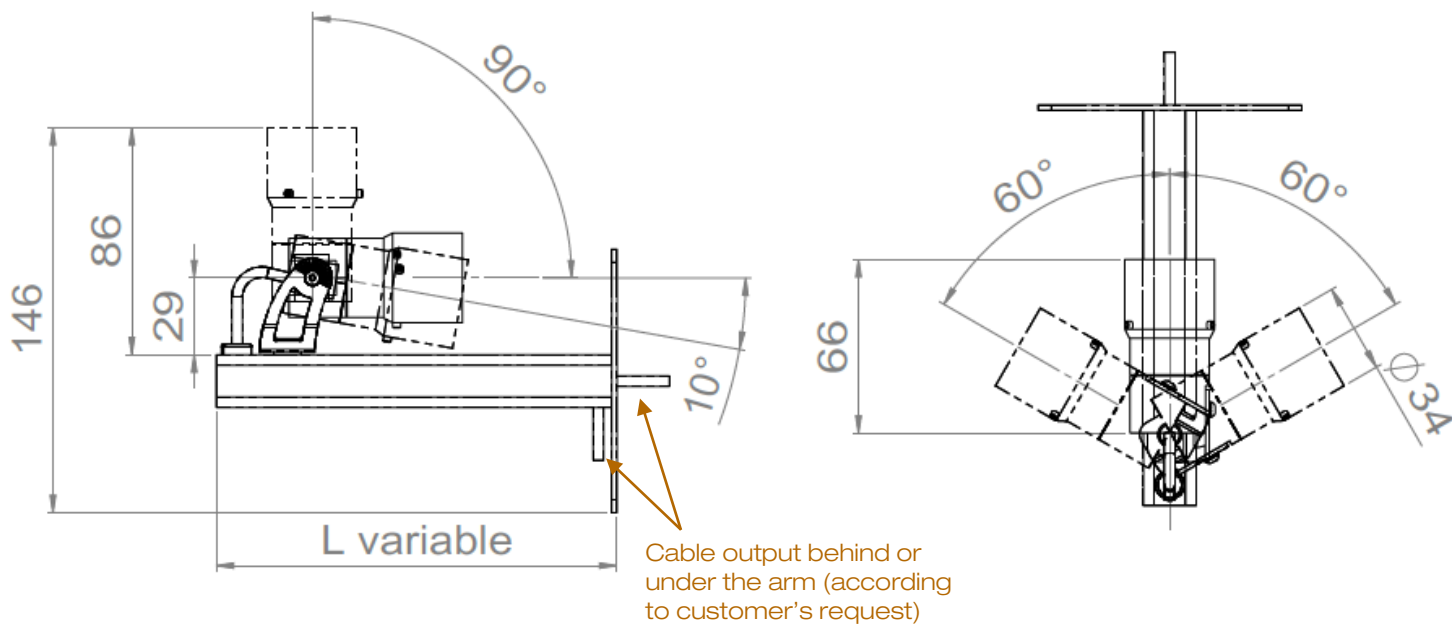
All the connections have to be made before powering up, otherwise the luminaires could be seriously damaged



ANELO 30 ADJUSTABLE REMOTE

Dimensions

Low Luminance Straight version



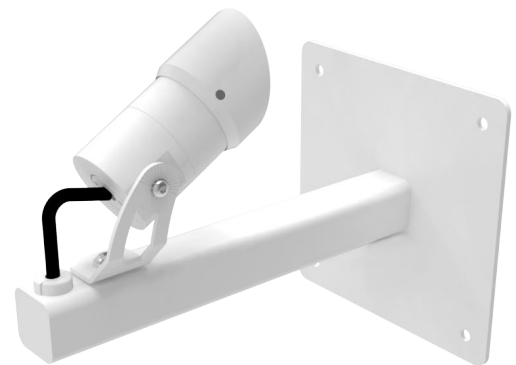
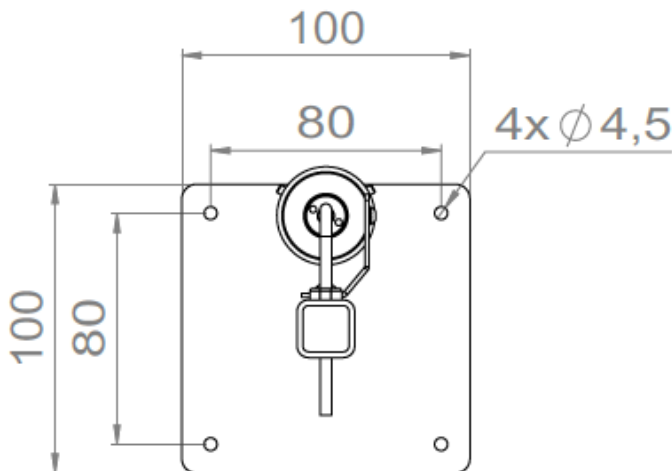
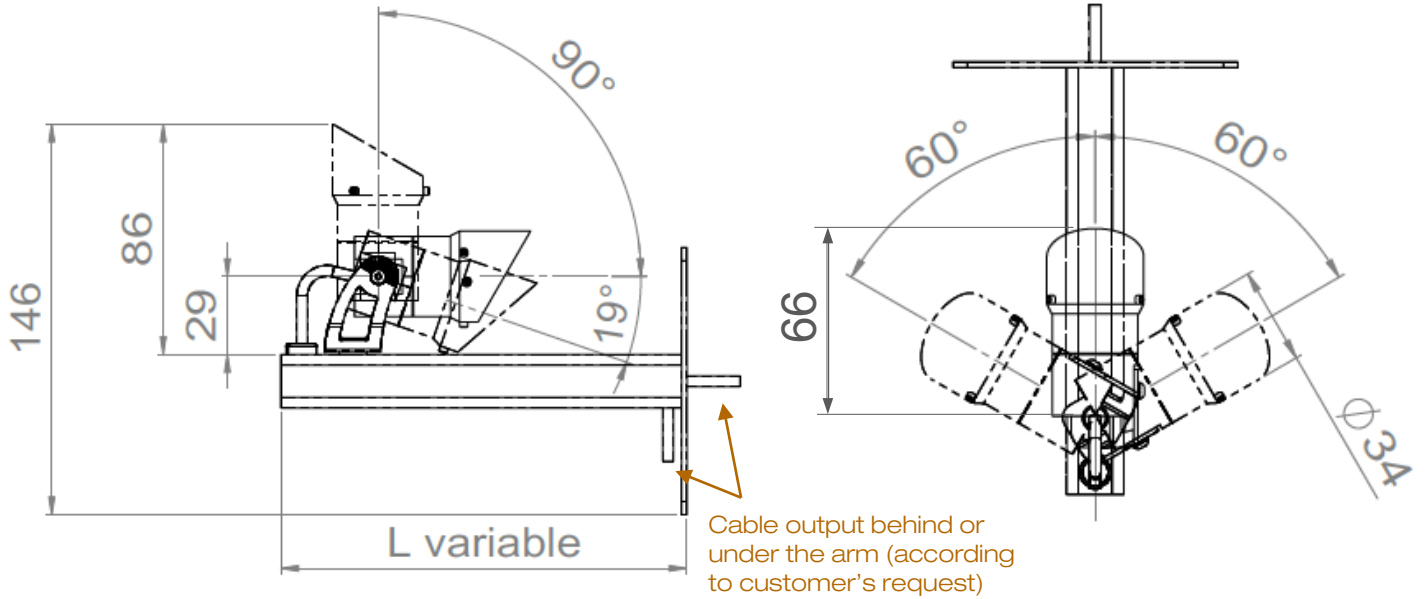
All the connections have to be made before powering up, otherwise the luminaires could be seriously damaged



ANELO 30 ADJUSTABLE REMOTE

Dimensions

Low Luminance Beveled version

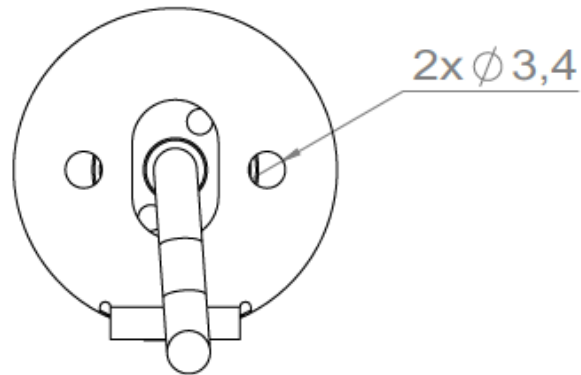
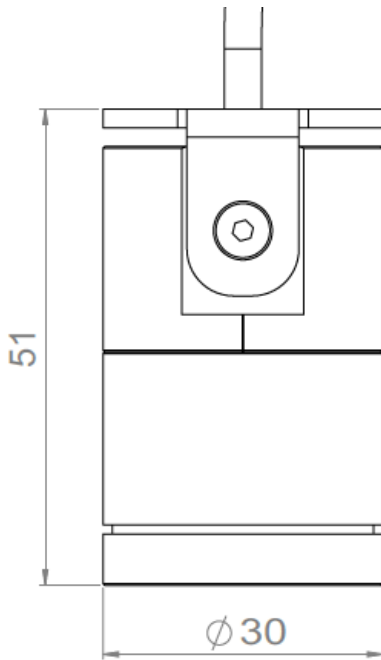


All the connections have to be made before powering up, otherwise the luminaires could be seriously damaged

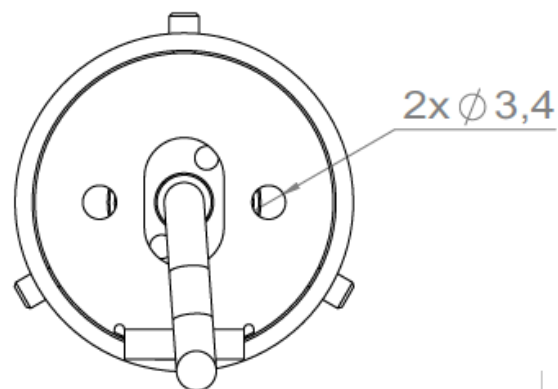
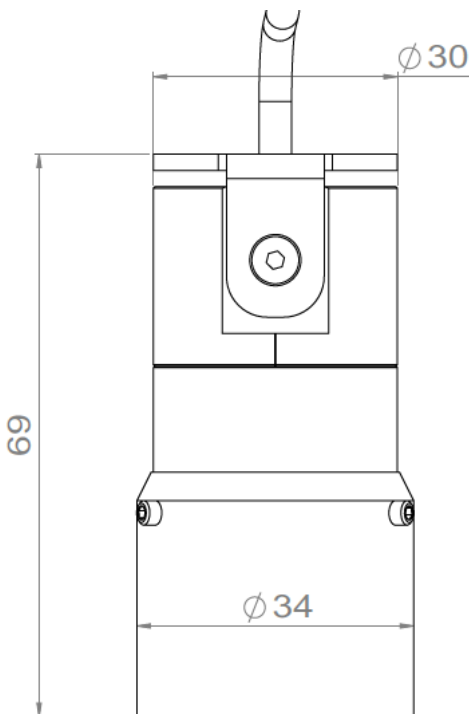


ANELO 30 FIXED Dimensions

Simple version



Low Luminance Straight version

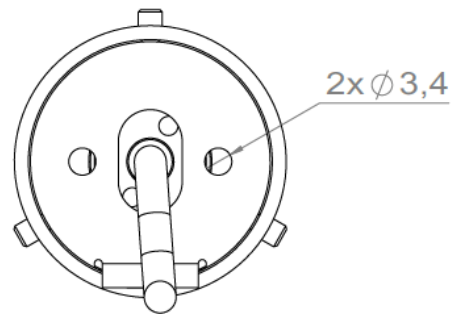
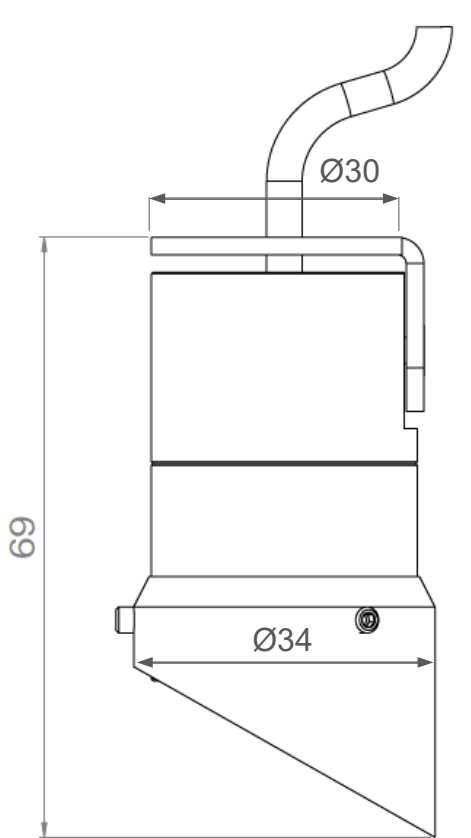


All the connections have to be made before powering up, otherwise the luminaires could be seriously damaged



ANELO 30 FIXED Dimensions

Low Luminance Beveled version



All the connections have to be made before powering up, otherwise the luminaires could be seriously damaged

LOUSS

Creation : 2026.03.10 / Last update : 2026.03.17

9/9

BEST SAS, Capital 200 000€
RCS Dijon B 408 483 485
TVA/VAT n° : FR94 408 483 485
APE 2612Z

Tel. : +33 380 48 65 68
contact@louss.fr
www.louss.fr
Best & LOUSS

Siège social / Head Office
PA Les Terres d'Or
Route de Saint Philibert
21220 Gevrey Chambertin - FRANCE