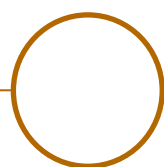


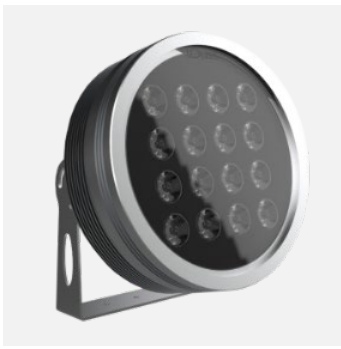
LOUSS

Lighting Emotion



ANELO 250





ANELO 250

Range	Architectural floodlighting
Description	Aluminum body Stainless steel fixing bracket Extra clear tempered glass Adjustable tilt 180°
Finish	Natural anodized aluminum (other upon request)
Dimensions	External diameter : 250mm Spotlight length : 80mm
LED characteristics	64 LEDs (16 groups of 4 LEDs) : 2200K – 2700K – 3000K – 4000K – 5000K – 6500K 64 LEDs (16 groups of 4 LEDs) : Tunable White or RGBW CRI 80 – CRI 90 (R9>50) - CRI 95 (R9>80)
Optics	12° - 15° - 20° - 30° - 35° - 40° - 50° - 55° - 80° - 100° - 120° (other upon request)
Accessories	Filters, honeycomb grid upon request
Connection	Supplied with 1m cable (more length upon request) Individual or serial connection on external constant current driver
Separate power supply	1A max. / 55V max. external constant current driver RGBW version : DMX constant current driver For the USA & Canada use a UL class 2 driver
LED power	16 groups of 4 LEDs Monochrome / Twin White / RGBW : → 64 LED in total → 40W max / group → Total capacity : 100W
Use limitations	The drivers, if not delivered by LOuss, must be approved before use
Warranty	Life span: L80B10 at 50,000 hours (80% remaining flux) at 25°C ambient temperature 3-year parts and labor warranty The warranty does not apply to products that have been opened, modified or repaired and does not cover the effects of a wrong connection, careless, abusive handling, overvoltage, lighting injury, as well as the normal wear of the product All products are electrically tested and received a functional burn-in

All the connections have to be made before powering up,
otherwise the luminaires could be seriously damaged

Creation : 2019.02.04 / Last update : 2026.04.03

LOuss

BEST SAS, Capital 200 000€
RCS Dijon B 408 483 485
TVA/VAT n° : FR94 408 483 485
APE 2612Z

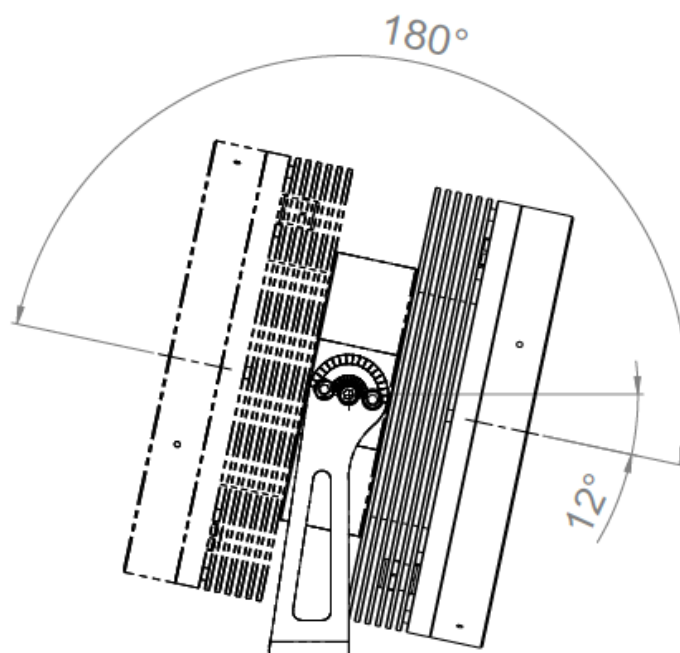
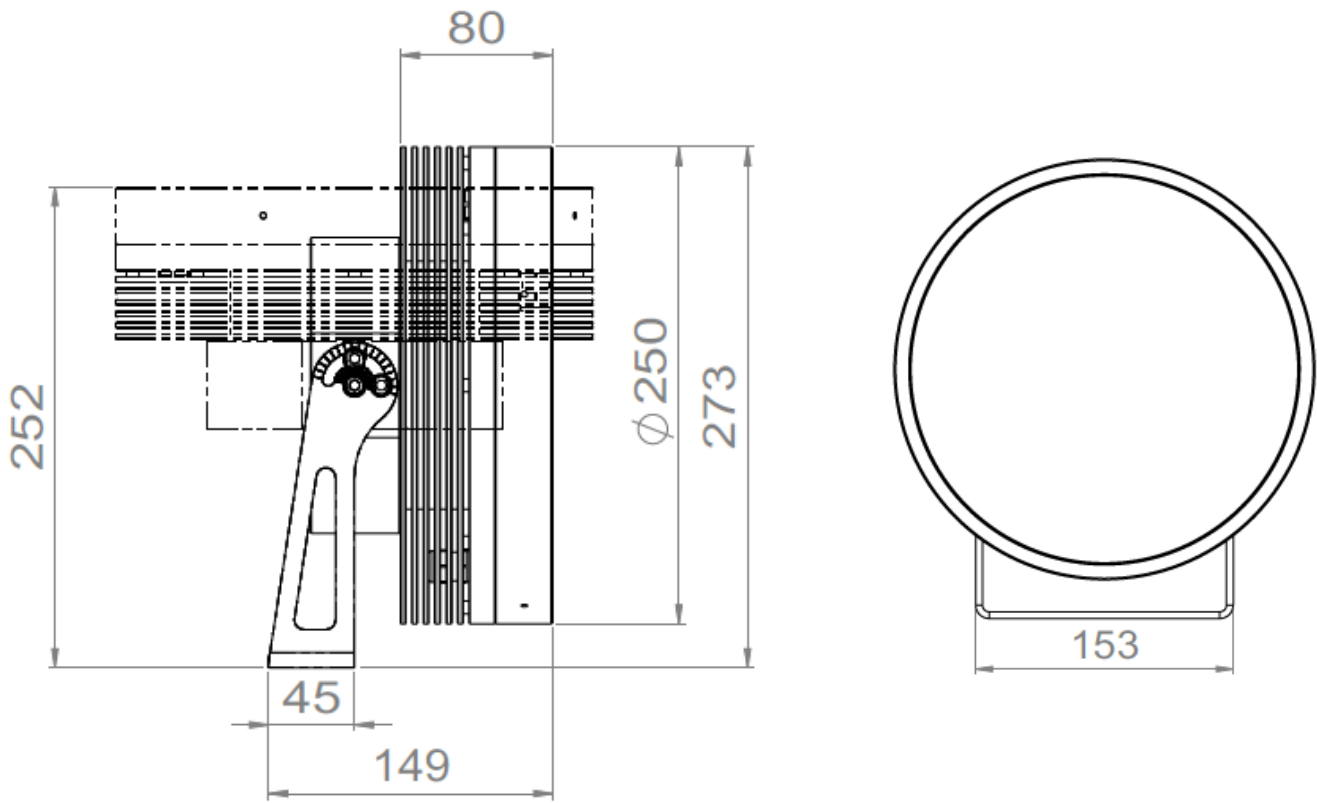
Tel. : +33 380 48 65 68
contact@louss.fr
www.louss.fr
Best & LOuss

Siège social / Head Office
PA Les Terres d'Or
Route de Saint Philibert
21220 Gevrey Chambertin - FRANCE

2/3



ANELO 250



All the connections have to be made before powering up,
otherwise the luminaires could be seriously damaged

Creation : 2019.02.04 / Last update : 2026.04.03

LOUSS

BEST SAS, Capital 200 000€
RCS Dijon B 408 483 485
TVA/VAT n° : FR94 408 483 485
APE 2612Z

Tel. : +33 380 48 65 68
contact@louss.fr
www.louss.fr
Best & LOUSS

Siège social / Head Office
PA Les Terres d'Or
Route de Saint Philibert
21220 Gevrey Chambertin - FRANCE