

ALBEDIO RANGE



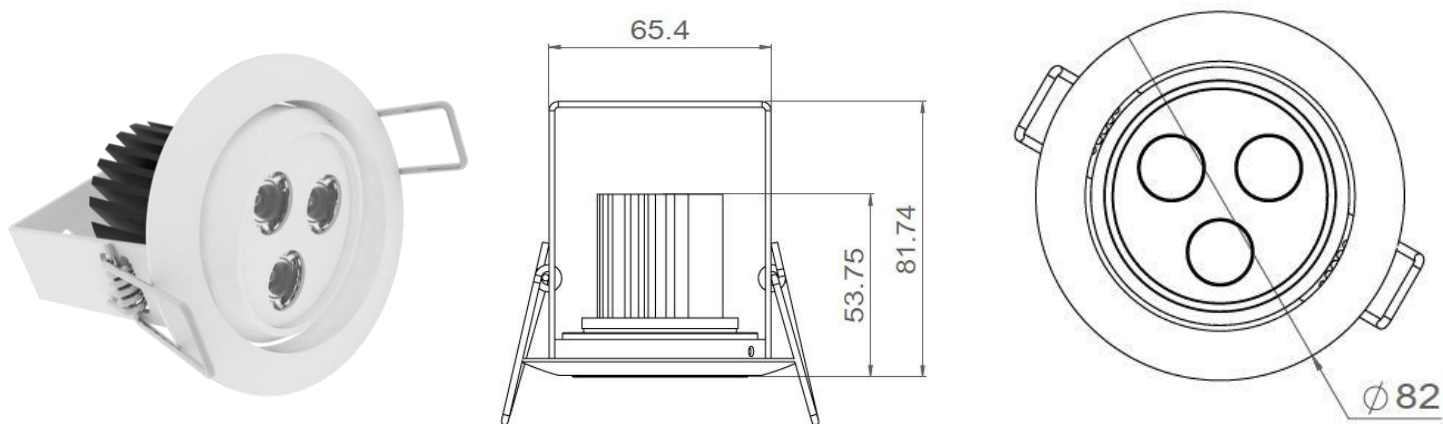


ALBEDIO

Common characteristics

Range	Recessed ceiling spotlight for ambient lighting
Description	Body in white aluminium Adjustable mounting with springs
Connection	Delivered with 0.5m standard cable (more length upon request) Individual connection or connection in series on external constant current driver
Use limitations	The product must be installed into a ventilated area. Any use with an ambient temperature higher than the specified ambient temperature (Ta) would lead to a more rapid mortality of the product and the withdrawal of our guarantees. The drivers, if not delivered by LOuss, must be approved before use.
Warranty	Life span: L80B10 at 50,000 hours (80% remaining flux) at 25°C ambient temperature. 3-year parts and labour warranty. The warranty does not apply to products that have been opened, modified or repaired and does not cover the effects of a wrong connection, careless, abusive handling, overvoltage, lighting injury, as well as the normal wear of the product. All products are electrically tested and received a functional burn-in.

All the connections have to be made before powering up,
otherwise the luminaire could be seriously damaged.



ALBEDIO 80

Description	Orientable 30°
Dimensions	External diameter: 83mm Installed depth : 76.5mm
Net Weight	0.191 kg
LED characteristics	3 LED : 3000K – 4000K (other LED colours upon request) 3 LED : RGB 4 LED : TW
Optical beam	15° - 35° - 60° (other optical beam upon request)
Separate power supply	350mA – 500mA
LED power	350mA : 3.6W (3 LED) – 4.8W (4 LED) 500mA : 5.4W (3 LED) – 7.2W (4 LED)

All the connections have to be made before powering up,
otherwise the luminaire could be seriously damaged.



Louss

Last update : 20/09/2018

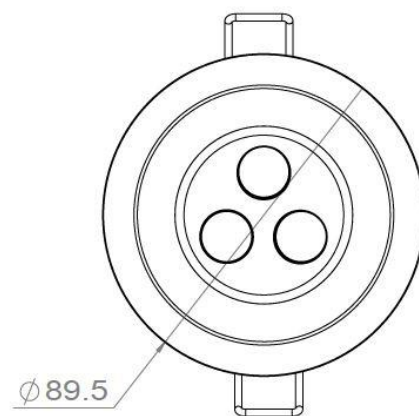
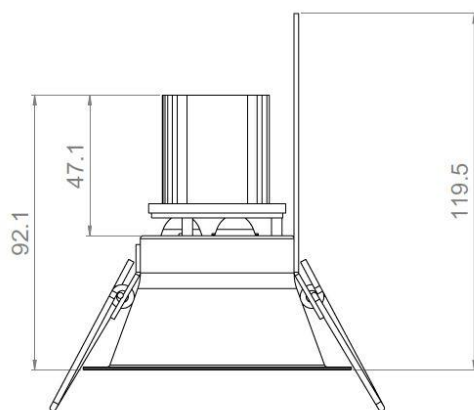
3/6

Firalux & LOuss brands

SARL, Capital 40 000€
RCS DIJON B 503 367 245
TVA/VAT n°: FR24 503 367 245
APE 4676Z

Tel. : +33 380 48 65 68
contact@louss.fr
www.louss.fr
Best group

Siège social / Head Office
PA Les Terres d'Or
Route de Saint Philibert
21220 Gevrey Chambertin - FRANCE



ALBEDIO 85

Dimensions	External diameter: 85mm Installed depth : 75mm
Net Weight	0.186 kg
LED characteristics	3 LED : 3000K – 4000K (other LED colours upon request) 3 LED : RGB 4 LED : TW
Optical beam	15° - 35° - 60° (other optical beam upon request)
Separate power supply	350mA – 500mA
LED power	350mA : 3.6W (3 LED) – 4.8W (4 LED) 500mA : 5.4W (3 LED) – 7.2W (4 LED)

All the connections have to be made before powering up,
otherwise the luminaire could be seriously damaged.



LOUSS

Last update : 20/09/2018

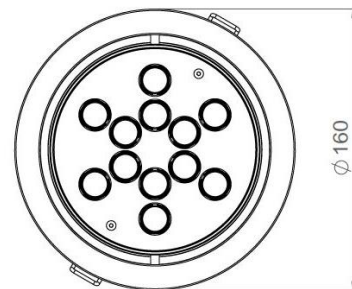
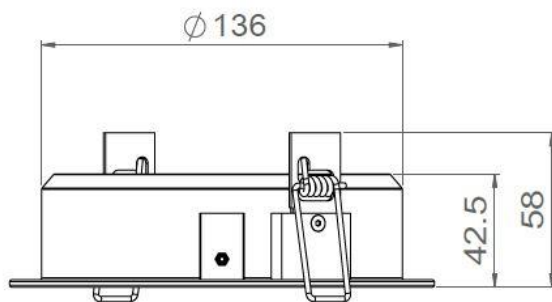
4/6

Firalux & LOUSS brands

SARL, Capital 40 000€
RCS DIJON B 503 367 245
TVA/VAT n°: FR24 503 367 245
APE 4676Z

Tel. : +33 380 48 65 68
contact@louss.fr
www.louss.fr
Best group

Siège social / Head Office
PA Les Terres d'Or
Route de Saint Philibert
21220 Gevrey Chambertin - FRANCE

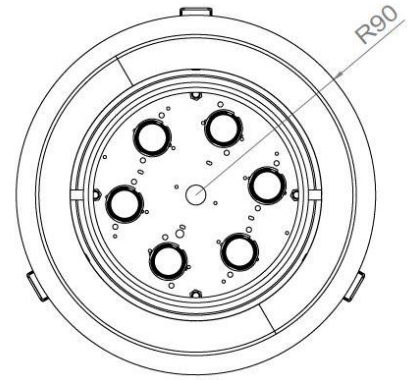
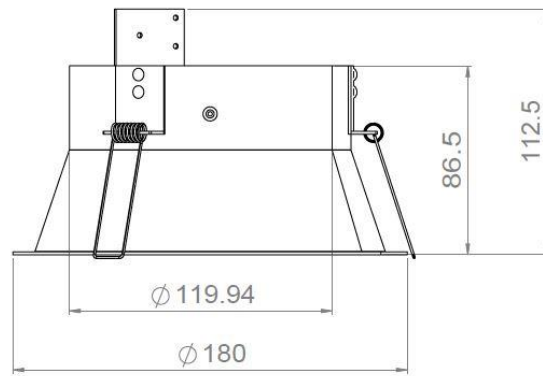


ALBEDIO 160

Description	Body in aluminium. White painting finishing Springs and directional mounting
Dimensions	External diameter: 160mm Recess: 145mm – Depth: 65mm
Net Weight	0.460 kg
LED characteristics	6 LED – 12 LED: 3000K – 4000K (other LED colours upon request) 12 LED: TW - RGBW
Optical beam	15° - 30° - 40° - 60° (other optical beam upon request)
Separate power supply	350mA – 500mA
LED power	350mA : 7.2W (6 LED) – 10.8W (12 LED) 500mA : 11W (6 LED)

All the connections have to be made before powering up,
otherwise the luminaire could be seriously damaged.





ALBEDIO 180

Description	Body in aluminium. White painting finishing Springs and directional mounting
Dimensions	External diameter : 180mm
Net Weight	0.518 kg
LED characteristics	6 LED – 12 LED: 3000K – 4000K (other LED colours upon request) 12 LED: TW - RGBW
Optical beam	15° - 30° - 40° - 60° (other optical beam upon request)
Separate power supply	350mA – 500mA – 700mA
LED power	350mA : 7.2W (6 LED) – 10.8W (12 LED) 500mA : 11W (6 LED)

All the connections have to be made before powering up, otherwise the luminaire could be seriously damaged.



Louss

Last update : 20/09/2018

6/6

Firalux & LOUSS brands

SARL, Capital 40 000€
RCS DIJON B 503 367 245
TVA/VAT n°: FR24 503 367 245
APE 4676Z

Tel. : +33 380 48 65 68
contact@louss.fr
www.louss.fr
Best group

Siège social / Head Office
PA Les Terres d'Or
Route de Saint Philibert
21220 Gevrey Chambertin - FRANCE