

LOUSS

Lighting Emotion



Albedio 80



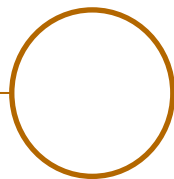
Albedio 85



Albedio 160



Albedio 180



ALBEDIO





Albedio 80



Albedio 85



Albedio 160



Albedio 180

Range	Recessed ceiling spotlights for ambient lighting			
Description	Aluminum body Mounting brackets with springs Adjustable LED engines (except Albedio 85) Low luminance versions : Albedio 85 – Albedio 180			
Finish	White RAL 9003 matt finish (other upon request)			
Dimensions	Albedio 80	Albedio 85	Albedio 130	Albedio 180
	External diameter → 82mm	External diameter → 89.5mm	External Diameter 160mm	External diameter → 180mm
	Installation diameter → 65.4mm	Installation diameter → 75mm	Installation diameter → 136mm	Installation diameter → 180mm
	Installation depth → 76.5mm	Installation depth → 119.5mm	Installation depth → 58mm	Installation depth → 112.5mm
Net weight	0.191 kg	0.186 kg	0.460 kg	0.518 kg
LED characteristics	Albedio 80	Albedio 85	Albedio 130	Albedio 180
	3 LED : 3000K-4000K (other upon request)	3 LED : 3000K-4000K (other upon request)	6-12 LED:3000K-4000K (other upon request)	6-12 LED:3000K-4000K (other upon request)
	3 LED : RGB 4 LED : TW	3 LED : RGB 4 LED : TW	12 LED : TW - RGBW	12 LED: TW – RGBW
Optical beam	15° - 30° - 35° - 40° - 60° - Elliptical (other upon request)			
Connection	Delivered with 0.5m standard cable (more length upon request) Individual connection or connection in series on external constant current driver For USA and Canada use UL class 2 driver			
Power supply	External constant current driver 500mA maximum			
Power	Albedio 80 / Albedio 85		Albedio 160 / Albedio 180	
	350mA	3.3W (3 LED) 4.4W (4 LED)	350mA	6.6W (6 LED) 13.2W (12 LED)
	500mA	5.1W (3 LED) 6.8W (4 LED)	500mA	10.2W (6 LED)

All the connections have to be made before powering up, otherwise the luminaire could be seriously damaged.



Albedio 80



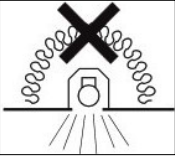
Albedio 85



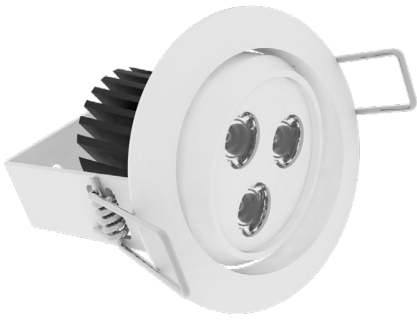
Albedio 160



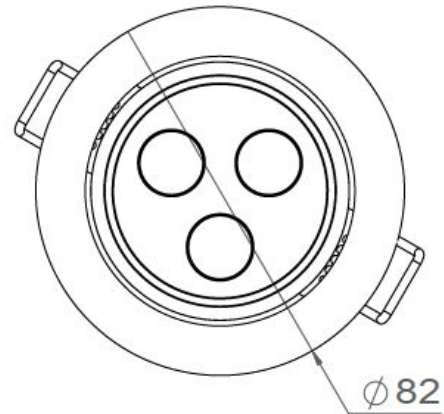
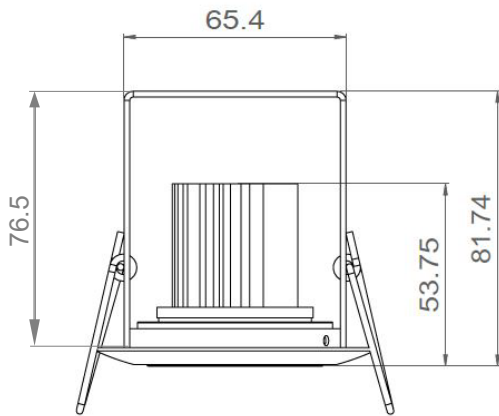
Albedio 180

<p>Use limitations</p> 	<p>The product must be installed into a ventilated area</p> <p>This product must not be covered with insulating material</p> <p>Any use with an ambient temperature higher than the specified ambient temperature (Ta) would lead to a more rapid mortality of the product and the withdrawal of our guarantees</p> <p>The drivers, if not delivered by LOuss, must be approved before use</p>
<p>Warranty</p>	<p>Life span: L80-B10 = 50,000 hours (80% remaining flux) at 30°C ambient temperature</p> <p>The warranty applies to components and fabrication supplied by Louss</p> <p>The warranty does not apply to products that have been opened, modified or repaired and does not cover the effects of a wrong connection, careless, abusive handling, overvoltage, lighting injury, as well as the normal wear of the product</p> <p>All products are electrically tested and receive a functional burn-in</p>

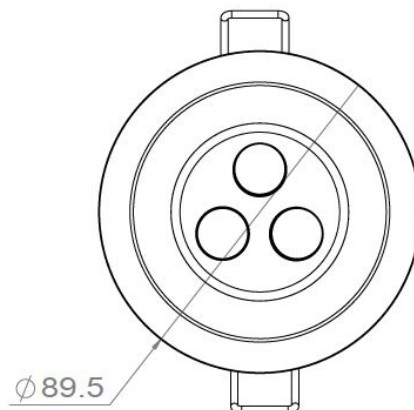
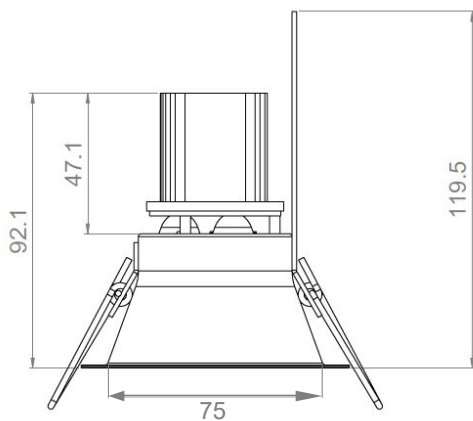
All the connections have to be made before powering up, otherwise the luminaire could be seriously damaged.



ALBEDIO 80



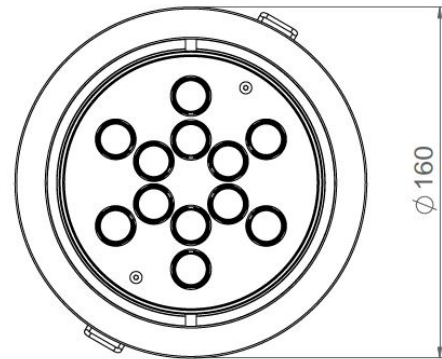
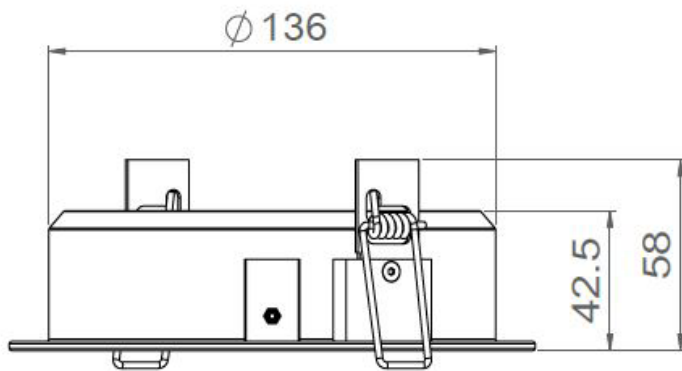
ALBEDIO 85



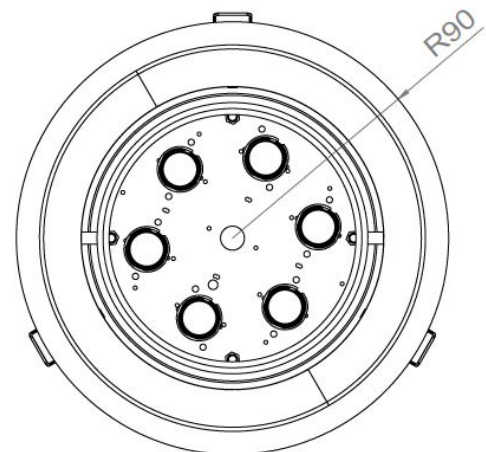
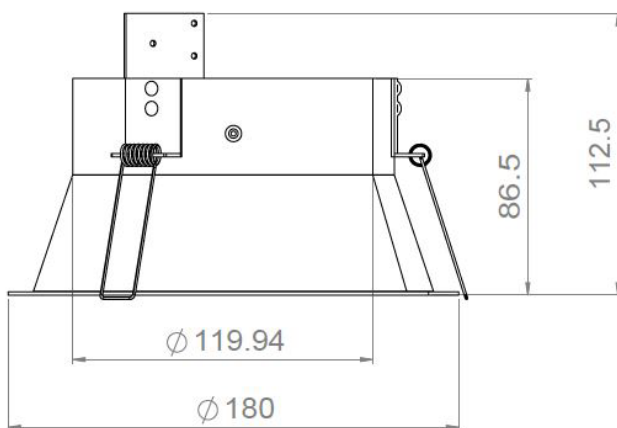
All the connections have to be made before powering up,
otherwise the luminaire could be seriously damaged.



ALBEDIO 160



ALBEDIO 180



All the connections have to be made before powering up,
otherwise the luminaire could be seriously damaged.

LOUSS

Creation : 2018.09.20 / Last update : 2026.05.05

5/5

BEST SAS, Capital 200 000€
RCS Dijon B 408 483 485
TVA/VAT n° : FR94 408 483 485
APE 2612Z

Tel. : +33 380 48 65 68
contact@louss.fr
www.louss.fr
Best & LOUSS

Siège social / Head Office
PA Les Terres d'Or
Route de Saint Philibert
21220 Gevrey Chambertin - FRANCE