

LOUSS

Lighting Emotion



V25 Patella



V25 On-Plate



V25 Magnetic

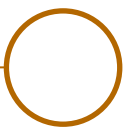


V30 Patella



V30 On-Plate

V25/30





V25 • V30

Range	Adjustable luminaires for accent lighting	
Description	To be fixed via a patella, a plate or a magnet, according to version V25 : Orientation 120° - Adjustable tilt 105° V30 : Orientation 360° - Adjustable tilt 90°	
Finish	V25	V30
	Black matt finish (other upon request)	Natural or black anodized (other upon request)
Dimensions (fixing device included)	V25 Simple	V25 On-Plate
	Diameter : 24.9mm Length : 36.6mm Height : 47.2mm max.	Diameter : 24.9mm Length : 44.1mm Height : 50.2mm max.
	V25 Magnetic	
	Diameter : 24.9mm Length : 37.0mm Height : 52.2mm max.	
	V30 Patella	V30 On-Plate
Diameter : 30.0mm Length : 44.3mm Height : 62.3mm max.	Diameter : 30.0mm Length : 56.6mm Max. height : 61.1mm	
Weight	V25	V30
	± 0.05 kg according to version	0.039 kg
LED characteristics	1 LED : 2200K - 2700K - 3000K - 3500K - 4000K (other upon request) CRI 90 - 95 R9>80	
Optical beams	V25	V30
	CRI 92	10° - 12° - 18° - 24° - 36° - 40° - 54° - 60° - Elliptical Caution : The luminous border is poorly defined with 10° and 12° optics
	CRI 95	10° - 12° - 15° - 28° - 32° - 40° (other upon request)
Accessories	Filters, honeycomb grid upon request	
Connection	Supplied with 0.5m cable (more length upon request) Individual or series connection on external constant current driver	

All the connections have to be made before powering up,
otherwise the luminaires could be seriously damaged.



V25 • V30

Separate power supply	900mA max. external constant current driver Dimmable driver upon request For the US & Canada use a UL class 2 driver
LED power	2.7W at 900mA max
Use limitations	The product must be installed into a ventilated area Any use with an ambient temperature higher than the specified ambient temperature (Ta) would lead to a more rapid mortality of the product and the withdrawal of our guarantees The drivers, if not delivered by LOuss, must be approved before use Electrical rating : III IP rating : 20 Dry locations only
Warranty	Life span: L80B10 at 50,000 hours (80% remaining flux) at 25°C ambient temperature. 3-year parts and labour warranty The warranty does not apply to products that have been opened, modified or repaired and does not cover the effects of a wrong connection, careless, abusive handling, overvoltage, lighting injury, as well as the normal wear of the product All products are electrically tested and received a functional burn-in

All the connections have to be made before powering up, otherwise the luminaires could be seriously damaged.



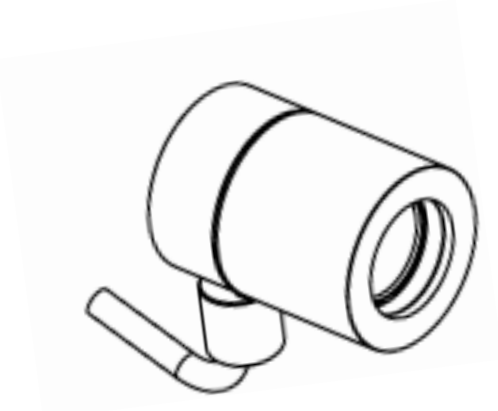
V25 PATELLA



V25 ON-PLATE



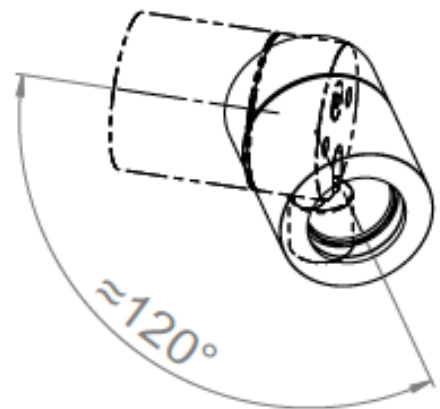
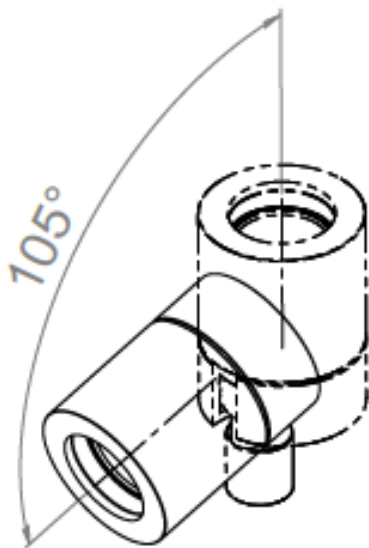
V25 MAGNETIC



Without accessories



With accessories
(example : honeycomb grid)



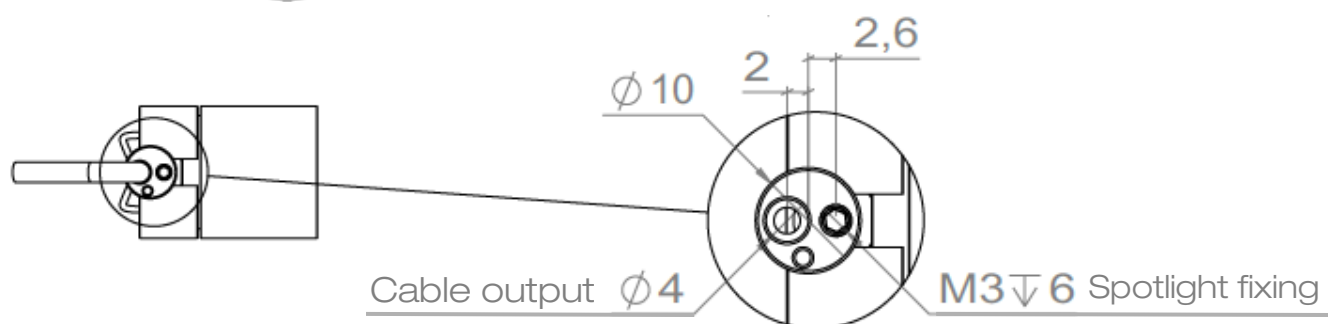
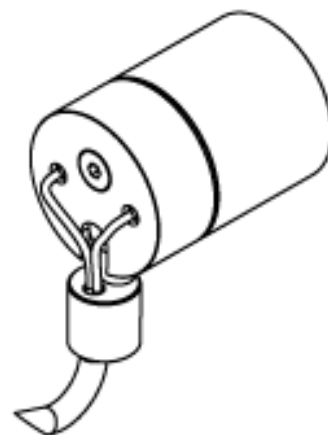
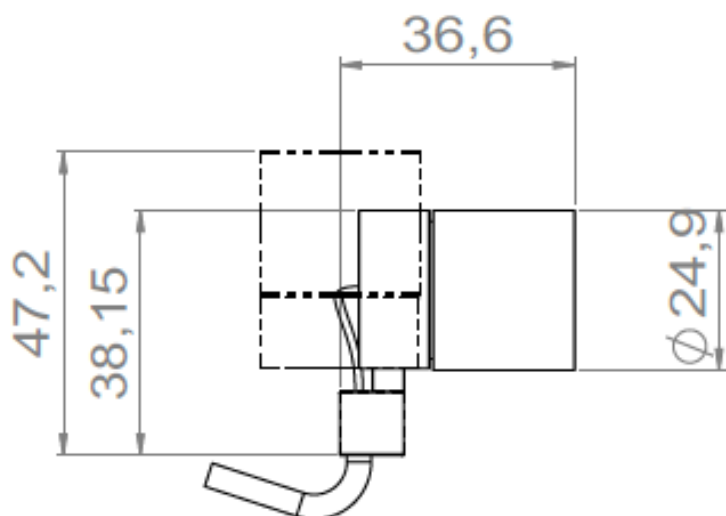
Beyond 120°, cables may cause an inconvenience

All the connections have to be made before powering up, otherwise the luminaires could be seriously damaged.

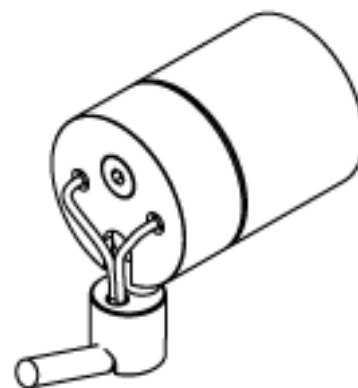
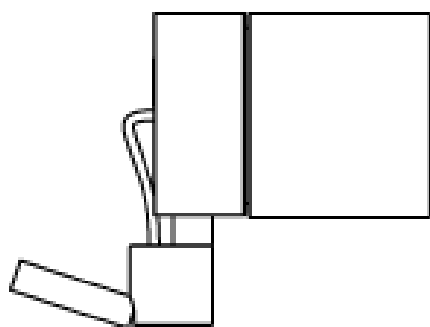


V25 PATELLA

Cable output below



Cable output behind

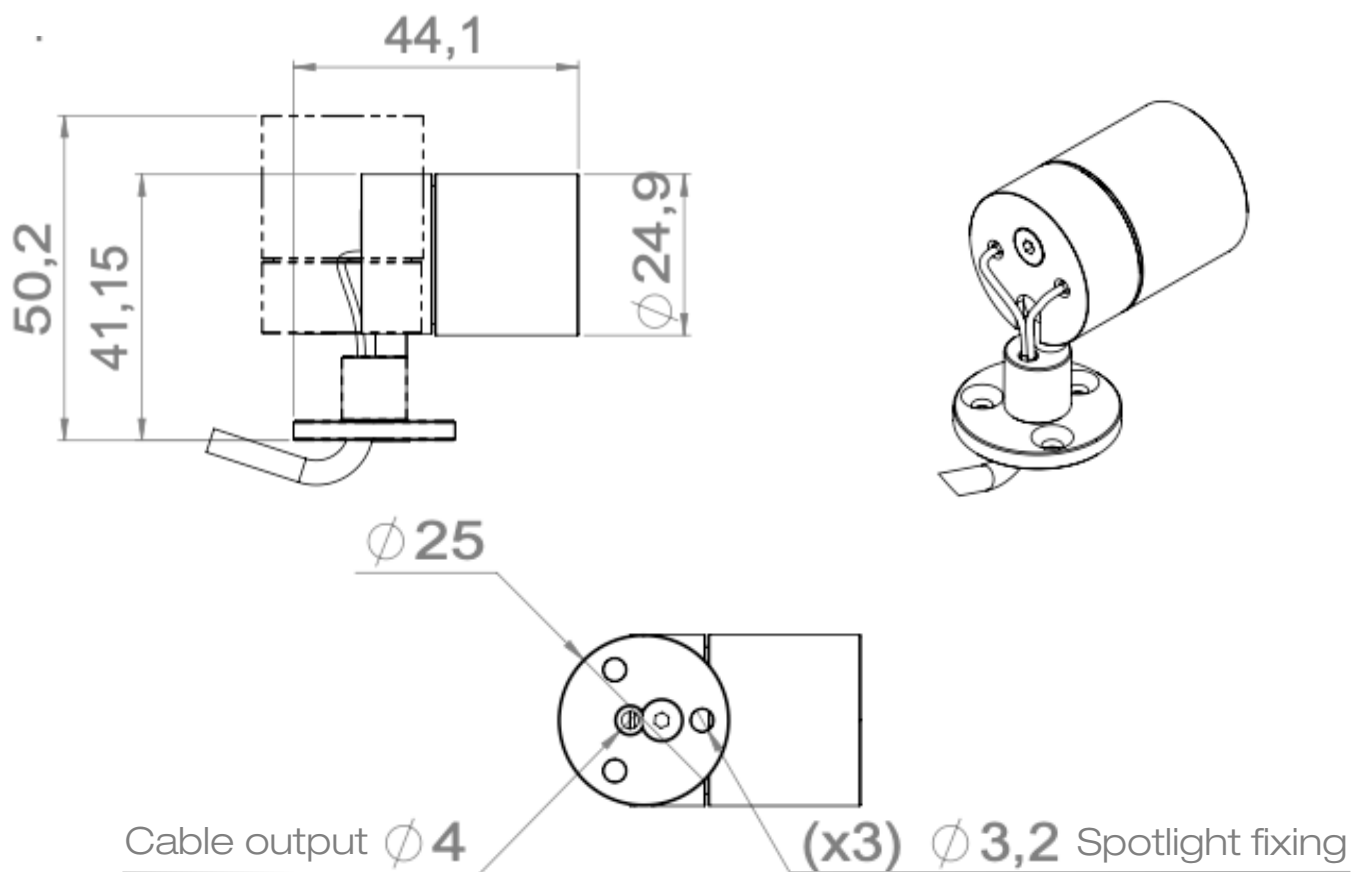


All the connections have to be made before powering up,
otherwise the luminaires could be seriously damaged.



V25 ON-PLATE

Cable output below



Cable output behind

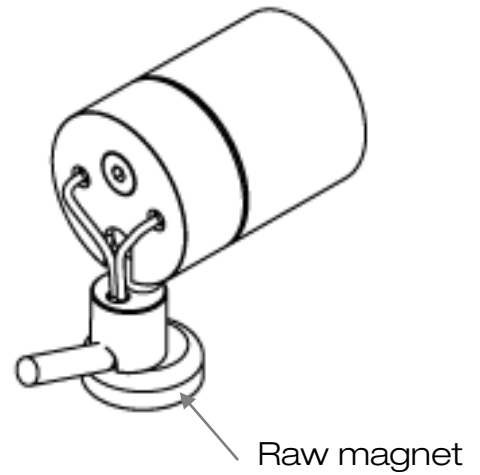
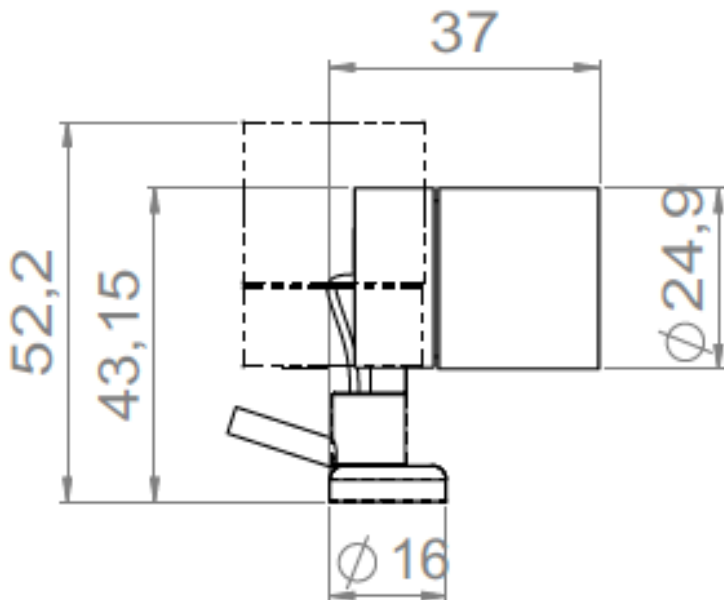


All the connections have to be made before powering up, otherwise the luminaires could be seriously damaged.



V25 MAGNETIC

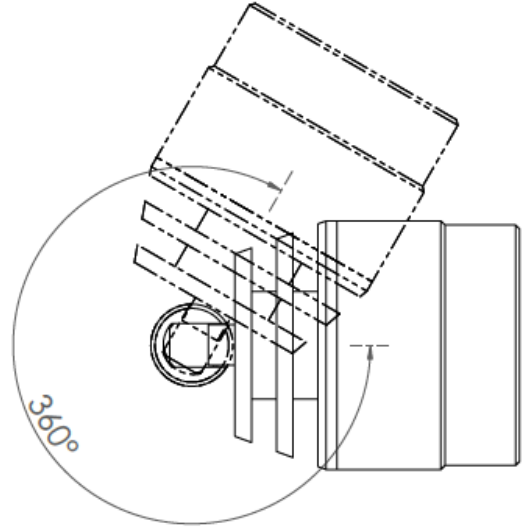
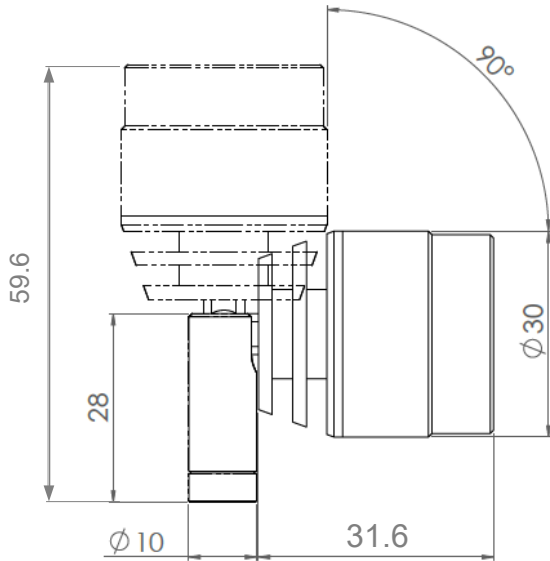
Cable output behind only



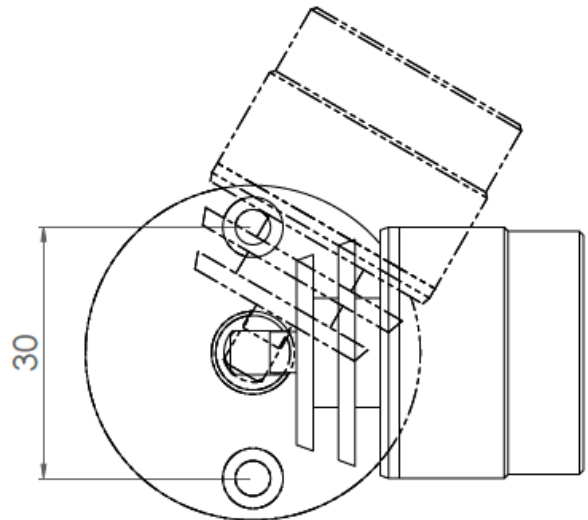
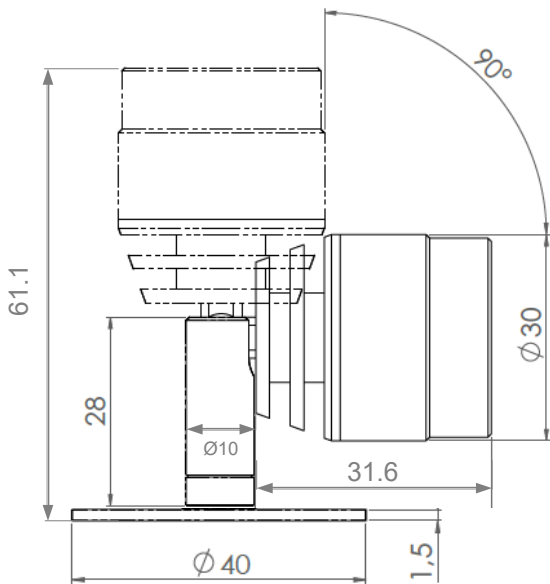
All the connections have to be made before powering up,
otherwise the luminaires could be seriously damaged.



V30 PATELLA



V30 ON-PLATE



All the connections have to be made before powering up, otherwise the luminaires could be seriously damaged.