

# Wouss

Lighting Emotion



V25 PATELLA



V30 PATELLA

## V-PATELLA



IP  
40

Ta  
25°

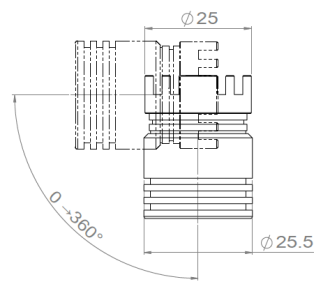
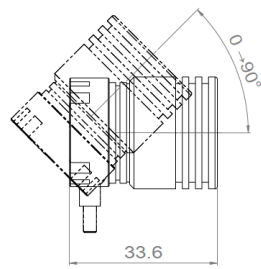
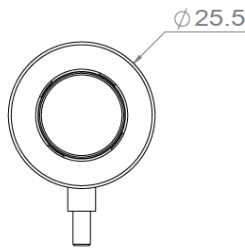
850°C



MADE IN  
FRANCE



Honey comb



## V25 PATELLA

<b>Range</b>	Spotlight for accent lighting
<b>Description</b>	Ball joint spotlight black or natural anodised aluminium Rotation 360° Threaded rod M3x12
<b>Dimensions</b>	Length : 34mm Diameter : 25mm
<b>Net weight</b>	0.050 kg
<b>LED characteristics</b>	1 LED : 2200K - 2700K - 3000K - 3500K - 4000K (other upon request) CRI 80, 90 ou 95 R9>80 Filter, honey comb upon request
<b>Optical beam</b>	14°- 17°- 25°- 30°- 35°- 40°- 60°- Elliptical (other upon request)
<b>Connection</b>	Supplied with 0.5m cable (other length upon request) Individual or series connection to remote constant current driver
<b>Separate power supply</b>	350mA to 900mA max constant current driver Dimmable driver upon request
<b>LED power</b>	350mA : 1.2W - 500mA : 1.8W 700mA : 2.4W - 900mA : 2.7W
<b>Use limitations</b>	The product must be installed into a ventilated area. Any use with an ambient temperature higher than the specified ambient temperature (Ta) would lead to a more rapid mortality of the product and the withdrawal of our guarantees. The drivers, if not delivered by LOuss, must be approved before use.
<b>Warranty</b>	Life span: L80B10 at 50,000 hours (80% remaining flux) at 25°C ambient temperature. 3-year parts and labour warranty. The warranty does not apply to products that have been opened, modified or repaired and does not cover the effects of a wrong connection, careless, abusive handling, overvoltage, lighting injury, as well as the normal wear of the product. All products are electrically tested and received a functional burn-in.

All the connections have to be made before powering up,  
otherwise the luminaires could be seriously damaged.

LOuss

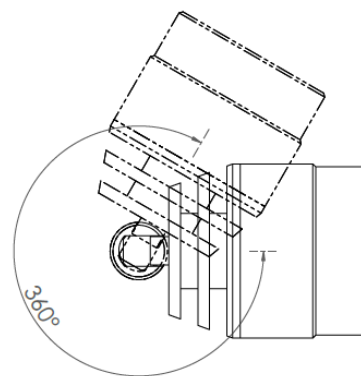
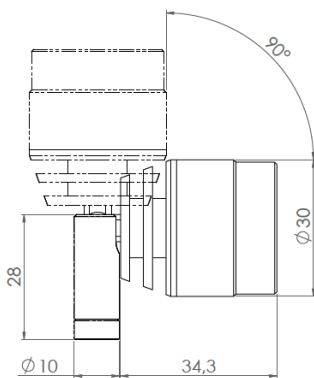
Last update : 18/07/2022

Firalux & LOuss brands

SARL, Capital 40 000€  
RCS DIJON B 503 367 245  
TVA/VAT n°: FR24 503 367 245  
APE 4676Z

Tel. : +33 380 48 65 68  
contact@louss.fr  
[www.louss.fr](http://www.louss.fr)  
Best group

Siège social / Head Office  
PA Les Terres d'Or  
Route de Saint Philibert  
21220 Gevrey Chambertin - FRANCE



## V30 PATELLA

<b>Range</b>	LED spot
<b>Description</b>	Body in black or natural anodised aluminium Special version Mirror Finish
<b>Dimensions</b>	Head length: 30.90mm - diameter: 30mm Rod length: 19mm
<b>Weight</b>	0.039 kg
<b>LED characteristics</b>	1 LED : 2200K - 2700K - 3000K - 3500K - 4000K (other LED colours upon request)
<b>Optical beam</b>	10° - 12° - 15° - 28° - 32° - 40° (other optical beam upon request)
<b>Connection</b>	Delivered with 20cm cable (more length upon request) Individual connection or connection in series on external constant current driver
<b>Separate power supply</b>	350mA - 500mA - 700mA
<b>LED power</b>	350mA: 1.2W 500mA: 1.8W 700mA: 2.4W (low luminance version)
<b>Use limitations</b>	The product must be installed into a ventilated area. Any use with an ambient temperature higher than the specified ambient temperature (Ta) would lead to a more rapid mortality of the product and the withdrawal of our guarantees. The drivers, if not delivered by LOuss, must be approved before use.
<b>Warranty</b>	Life span: L80B10 at 50,000 hours (80% remaining flux) at 25°C ambient temperature. 3-year parts and labour warranty. The warranty does not apply to products that have been opened, modified or repaired and does not cover the effects of a wrong connection, careless, abusive handling, overvoltage, lighting injury, as well as the normal wear of the product. All products are electrically tested and received a functional burn-in.

All the connections have to be made before powering up,  
otherwise the luminaires could be seriously damaged.

LOuss

Last update: 20/09/2018

Firalux & LOuss brands

SARL, Capital 40 000€  
RCS DIJON B 503 367 245  
TVA/VAT n°: FR24 503 367 245  
APE 4676Z

Tel. : +33 380 48 65 68  
contact@louss.fr  
[www.louss.fr](http://www.louss.fr)  
Best group

Siège social / Head Office  
PA Les Terres d'Or  
Route de Saint Philibert  
21220 Gevrey Chambertin - FRANCE