

## ROME SURFACE-MOUNTED





## ROME I • II SURFACE-MOUNTED

<b>Range</b>	Architectural floodlighting	
<b>Description</b>	Aluminum body <b>Rome I</b> : Stainless steel fixing clip (Surface-Mounted) Extra-clear or striated glass 2x3in1 LEDs  <b>Rome II</b> : Magnets (Surface-mounted Magnetic) Extra-clear glass 8 LEDs	
<b>Finish</b>	Paint – RAL 1013 or RAL 7030 (other upon request)	
<b>Dimensions</b>	<b>Rome I • Surface-mounted</b>	<b>Rome II • Surface-mounted Magnetic</b>
	Length : 65.0mm Width : 35.6mm Height : 35.0mm 38.1mm (fixing clip included)	Length : 90.0mm Width : 50.0mm Height : 50.0mm 54.5 à 56.5mm (magnets included)
<b>Weight</b>	<b>Rome I</b>	<b>Rome II</b>
	0.17 kg (without fixing clip)	0.50 kg (without magnets)
<b>LED characteristics</b>	2x3in1 LEDs or 8 LEDs : 2200K – 2700K – 3000K – 4000K (other upon request) CRI 90	
<b>Optical beams</b>	<b>Rome I</b>	<b>Rome II</b>
	<ul style="list-style-type: none"> <li>• Elliptical + extra-clear glass</li> <li>• Optic + filter + extra-clear glass</li> <li>• Optic + striated glass</li> </ul>	10° - 15° - 20° - 25° - 30° - 40° - 50° - Elliptical
<b>Connection</b>	<b>Rome I</b>	<b>Rome II</b>
	Supplied with 1m cable (more length upon request)  Individual or serial connection on external constant current driver	Supplied with 1m cable (more length upon request)
<b>Separate power supply</b>	<b>Rome I</b>	<b>Rome II</b>
	350mA max. external constant current driver  For the US & Canada use a UL class 2 driver	48VCC external power supply  For the US & Canada use a UL class 2 power supply
<b>LED power</b>	<b>Rome I</b>	<b>Rome II</b>
	6W max.	20W max.

All the connections have to be made before powering up,  
otherwise the luminaire could be seriously damaged.



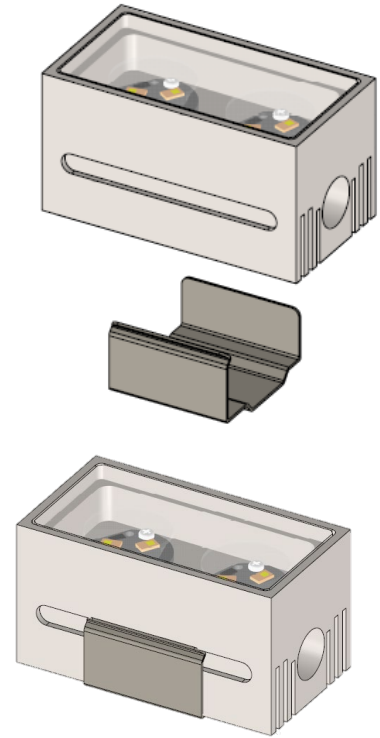
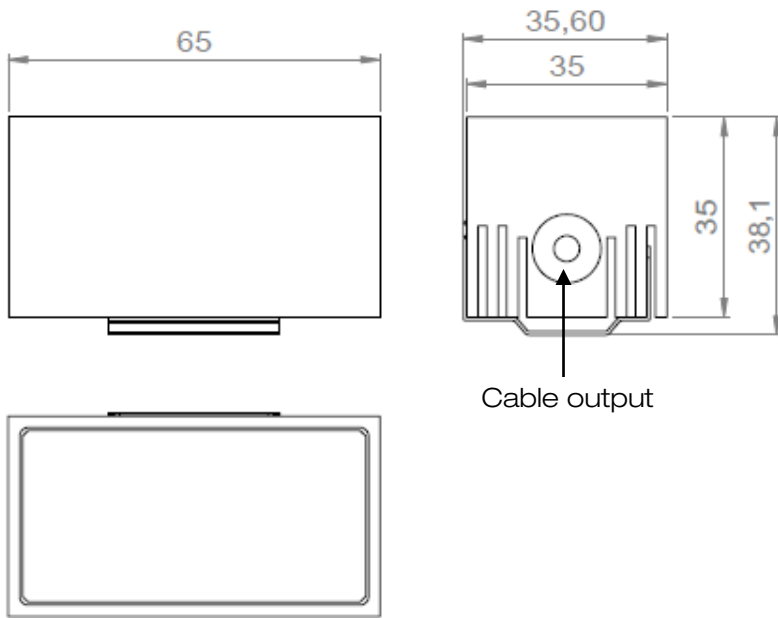
## ROME I • II SURFACE-MOUNTED

<b>Use limitations</b>	The drivers, if not delivered by LOuss, must be approved before use
<b>Warranty</b>	<p>Life span: L80B10 at 50,000 hours (80% remaining flux) at 25°C ambient temperature 3-year parts and labour warranty</p> <p>The warranty does not apply to products that have been opened, modified or repaired and does not cover the effects of a wrong connection, careless, abusive handling, overvoltage, lighting injury, as well as the normal wear of the product</p> <p>All products are electrically tested and received a functional burn-in</p>

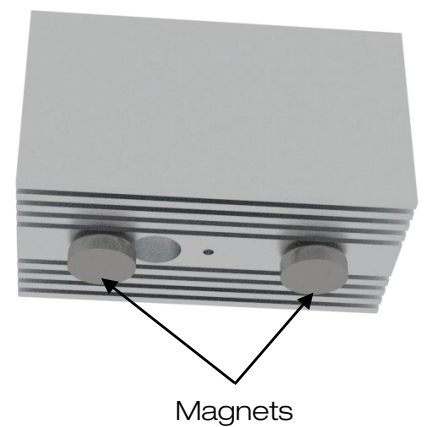
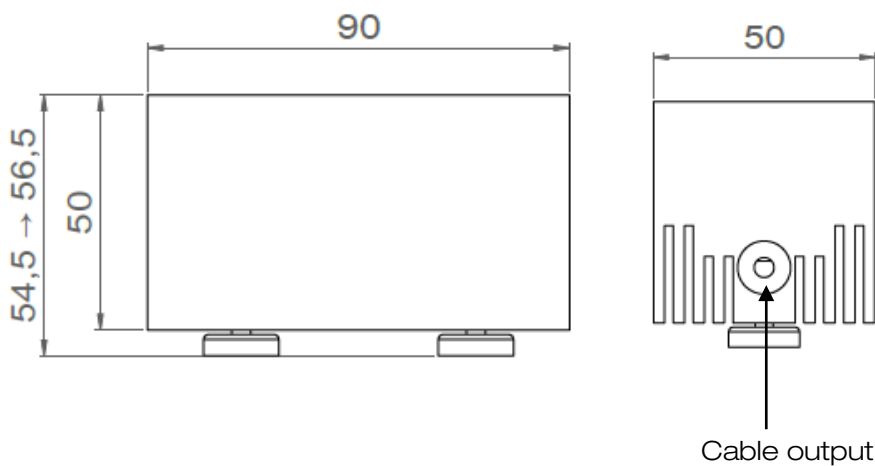
All the connections have to be made before powering up,  
otherwise the luminaire could be seriously damaged.



## ROME I Surface-mounted



## ROME II Surface-mounted Magnetic



All the connections have to be made before powering up,  
otherwise the luminaire could be seriously damaged.