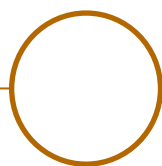


LOUSS

Lighting Emotion



PILAR





PILAR

Range	Adjustable luminaire for architectural floodlighting
Description	Aluminum body LEDs mounted on an adjustable aluminum support – Adjustable tilt : 15° max. Transparent glass
Finish	RAL 9002 matt finish (other upon request)
Dimensions	Length : 175mm Width : 110mm Height : 131mm
Net weight	1.20 kg
LED characteristics	3 LEDs : 2700K – 3000K – 3500K- 4000K (other upon request) Or RGBW
Optical beams	Monochrome : 8° - 11° - 6°x32° RGBW : 13°
Connection	Supplied with 0.5m cable (more length upon request) RGBW version : Supplied with 8 connectors
Separate power supply	700mA max. external constant current driver DMX driver upon request For the US & Canada use a UL class 2 driver
LED power	24W max.
Use limitations	The product must be installed into a ventilated area Any use with an ambient temperature higher than the specified ambient temperature (Ta) would lead to a more rapid mortality of the product and the withdrawal of our guarantees The drivers, if not delivered by LOuss, must be approved before use
Warranty	Life span: L80B10 at 50,000 hours (80% remaining flux) at 25°C ambient temperature. 3-year parts and labor warranty The warranty does not apply to products that have been opened, modified or repaired and does not cover the effects of a wrong connection, careless, abusive handling, overvoltage, lighting injury, as well as the normal wear of the product All products are electrically tested and received a functional burn-in

All the connections have to be made before powering up,
otherwise the luminaires could be seriously damaged

LOuss

Last update : 2025.08.06

2/3

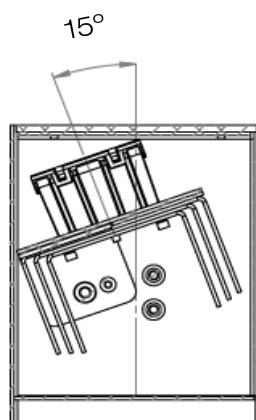
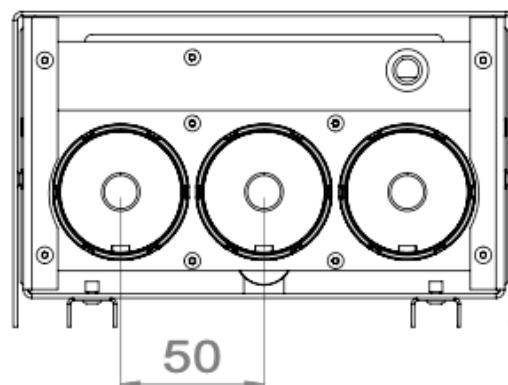
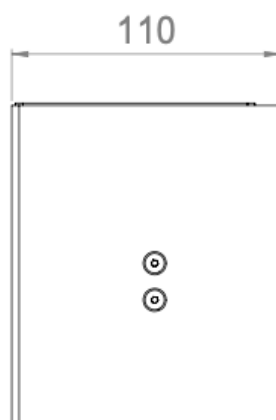
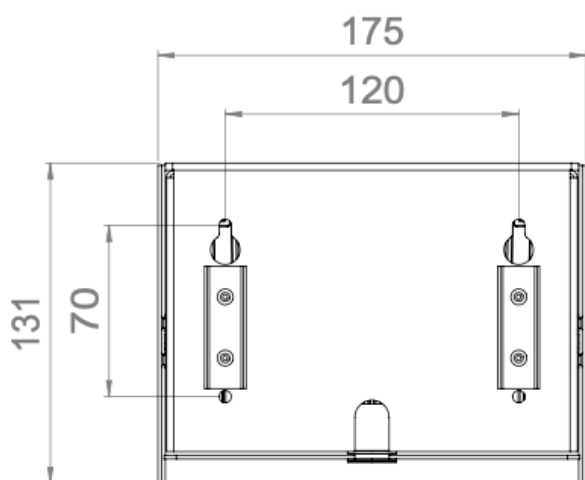
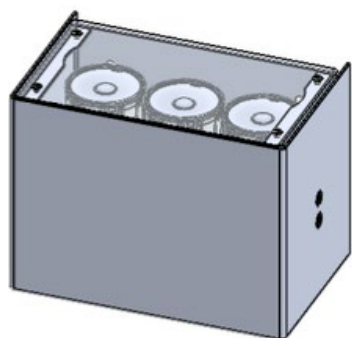
BEST SAS, Capital 200 000€
RCS Dijon B 408 483 485
TVA/VAT n° : FR94 408 483 485
APE 2612Z

Tel. : +33 380 48 65 68
contact@louss.fr
www.louss.fr
Best & LOuss

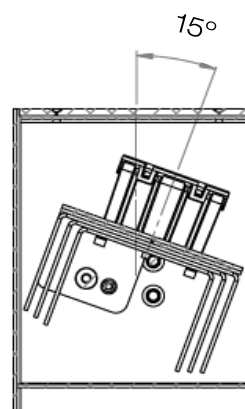
Siège social / Head Office
PA Les Terres d'Or
Route de Saint Philibert
21220 Gevrey Chambertin - FRANCE



PILAR Dimensions



Spotlights tilted at 15°
frontwards



Spotlights tilted at 15°
backwards

All the connections have to be made before powering up,
otherwise the luminaires could be seriously damaged