

NANOSTAFF



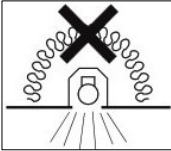
NANOSTAFF • Duo • 5 Spotlights

Range	Recessed luminaire for general & accent lighting	
Description	Cluster of 2 or 5 low luminance spotlights, inserted in a recessed gypsum board with fixing brackets for installation in BA13 plasterboard Low luminance spotlights equipped with quick connectors and fixed with spring plungers Fixed tilt : 10° - 15° - 25°	
Finish	Black matt finish spotlights Raw finish gypsum board	
Dimensions & Net weight	Duo	5 Spotlights
	Length : 70mm 130mm (with brackets)	Length : 130mm 190mm (with brackets)
	Width : 45mm Height : 51mm	Width : 45mm Height : 51mm
	0.867 kg	1.314 kg
LED characteristics	2700K – 3000K – 3500K – 4000K – 5000K (other upon request) MacAdam ellipse : 3 SDCM CRI 92 R9>80	
Optical beams	Duo	5 Spotlights
	16° - 20° - 40° - 65° - 17°x49° (Elliptical beam possible without tilt)	15° - 20° - 37° - 40° - 65° - 16°x40° (Elliptical beam possible without tilt)
Accessories	Masking caps	
Connection	Delivered with a multi-plug cable for serial connection, to be inserted into the ceiling before the installation of the luminaire	
Power supply	700mA max. external constant current driver For the US & Canada, use a UL class 2 driver	
Power	Duo	5 Spotlights
	2W at 350mA 3W at 500mA 4W at 700mA	5W at 350mA 8W at 500mA 10W at 700mA

All the connections have to be made before powering up, otherwise the luminaires could be seriously damaged.



NANOSTAFF • Duo • 5 Spotlights

<p>Use limitations</p> 	<p>The product must be installed into a ventilated area This product must not be covered by insulating material Any use with an ambient temperature higher than the specified ambient temperature (Ta) would lead to a more rapid mortality of the product and the withdrawal of our guarantees The drivers, if not delivered by LOuss, must be approved before use</p>
<p>Warranty</p>	<p>Life span: L80B10 at 50,000 hours (80% remaining flux) at 25°C ambient temperature. 3-year parts and labour warranty. The warranty does not apply to products that have been opened, modified or repaired and does not cover the effects of a wrong connection, careless, abusive handling, overvoltage, lighting injury, as well as the normal wear of the product. All products are electrically tested and received a functional burn-in.</p>

All the connections have to be made before powering up, otherwise the luminaires could be seriously damaged.

LOuss

Creation : 2022.01.26 / Last update : 2026.05.12 - R

3/10

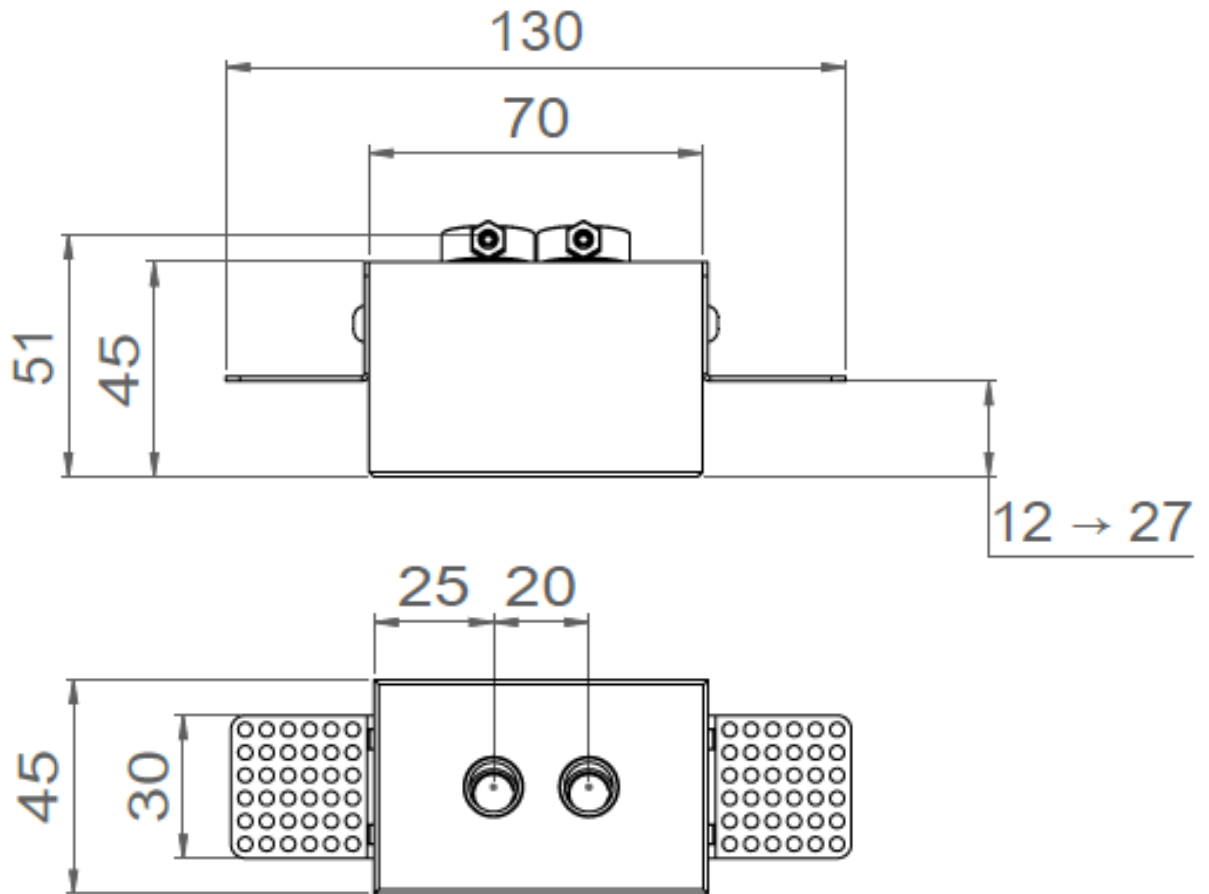
BEST SAS, Capital 200 000€
 RCS Dijon B 408 483 485
 TVA/VAT n° : FR94 408 483 485
 APE 2612Z

Tel. : +33 380 48 65 68
 contact@louss.fr
www.louss.fr
 Best & LOuss

Siège social / Head Office
 PA Les Terres d'Or
 Route de Saint Philibert
 21220 Gevrey Chambertin - FRANCE



NANOSTAFF DUO



All the connections have to be made before powering up,
otherwise the luminaires could be seriously damaged.

Louss

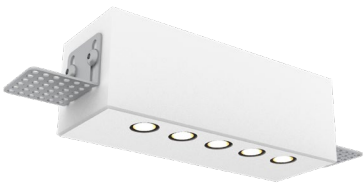
Creation : 2022.01.26 / Last update : 2026.05.12 - R

4/10

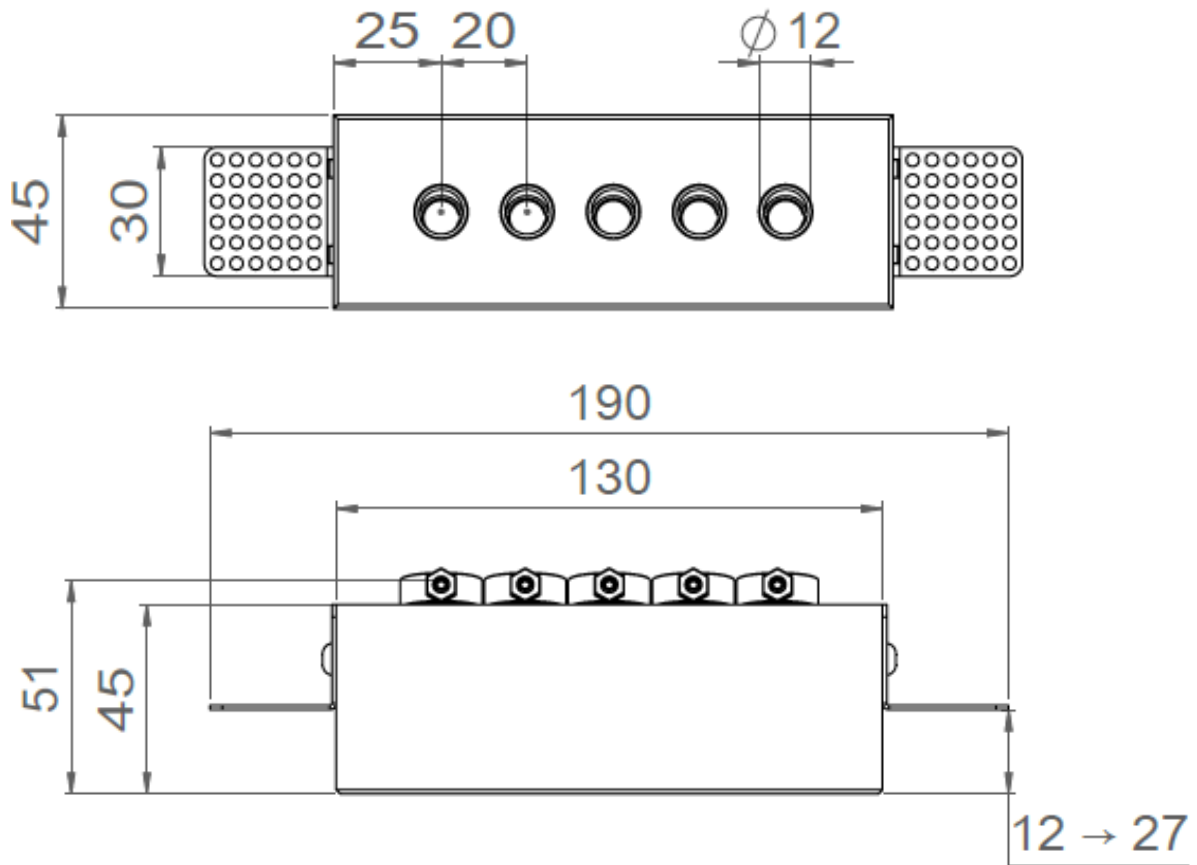
BEST SAS, Capital 200 000€
RCS Dijon B 408 483 485
TVA/VAT n° : FR94 408 483 485
APE 2612Z

Tel. : +33 380 48 65 68
contact@louss.fr
www.louss.fr
Best & LOUSS

Siège social / Head Office
PA Les Terres d'Or
Route de Saint Philibert
21220 Gevrey Chambertin - FRANCE



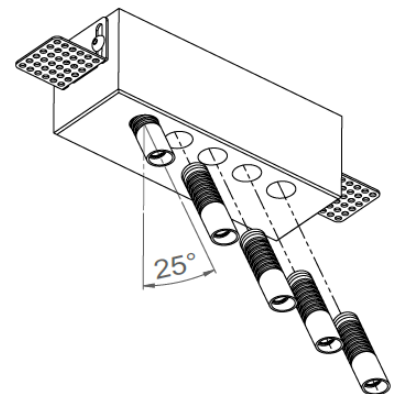
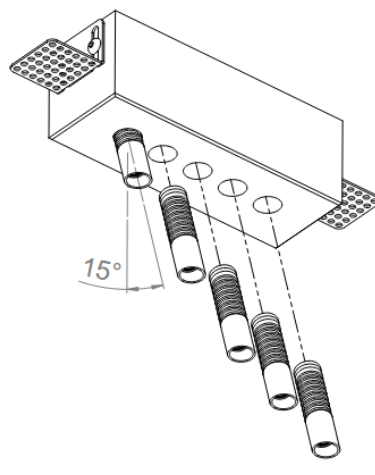
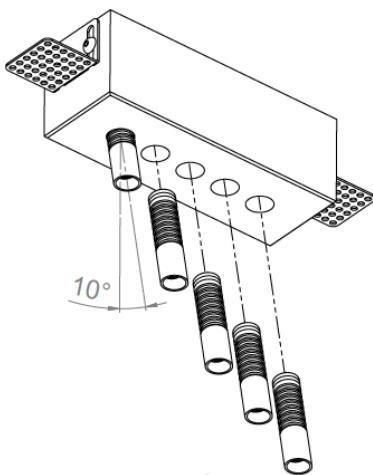
NANOSTAFF 5 SPOTLIGHTS



10° tilt version

15° tilt version

25° tilt version



All the connections have to be made before powering up, otherwise the luminaires could be seriously damaged.

LOUSS

Creation : 2022.01.26 / Last update : 2026.05.12 - R

5/10

BEST SAS, Capital 200 000€
RCS Dijon B 408 483 485
TVA/VAT n° : FR94 408 483 485
APE 2612Z

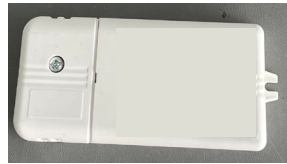
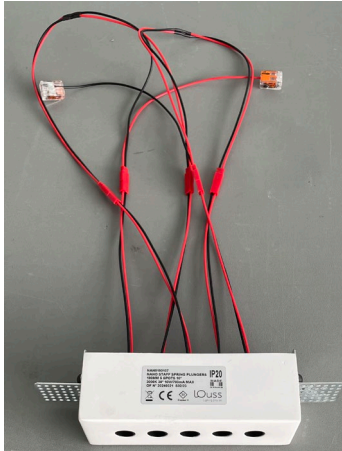
Tel. : +33 380 48 65 68
contact@louss.fr
www.louss.fr
Best & LOUSS

Siège social / Head Office
PA Les Terres d'Or
Route de Saint Philibert
21220 Gevrey Chambertin - FRANCE

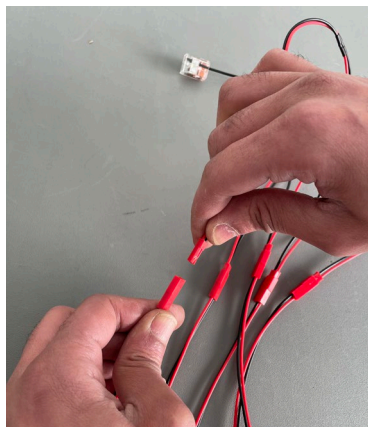
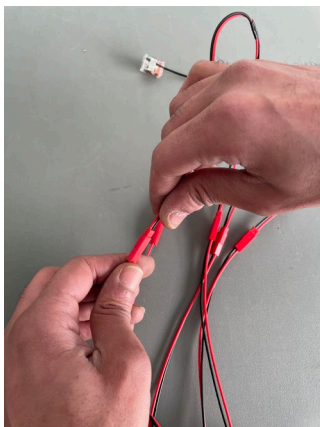


NANOSTAFF • Duo • 5 Spotlights

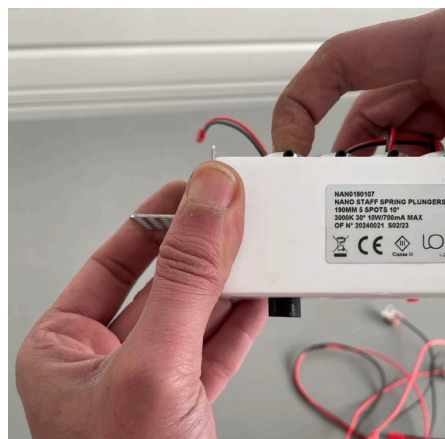
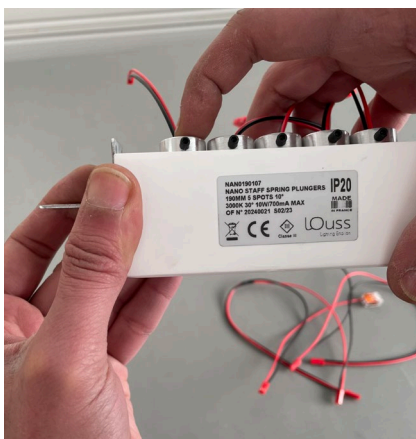
Setting up of the luminaire before installation



- 1 The set includes:
 - 1 luminaire equipped with quick connectors
 - 1 extension cable with 2 or 5 connectors
 - 1 driver (picture as an example)

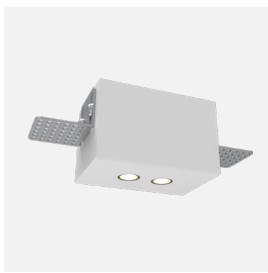


- 2 Remove the extension cable by taking off the quick connectors



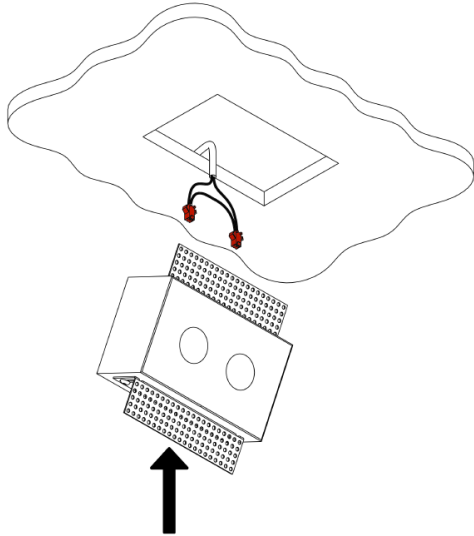
- 3 Push on the rear part of each LED spot in order to remove them from the gypsum block

All the connections have to be made before powering up, otherwise the luminaires could be seriously damaged.

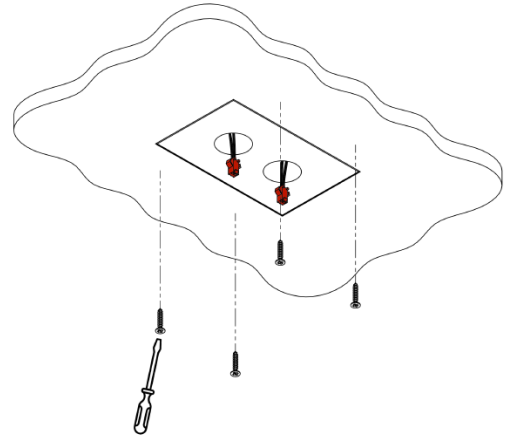


NANOSTAFF • Duo • 5 Spotlights

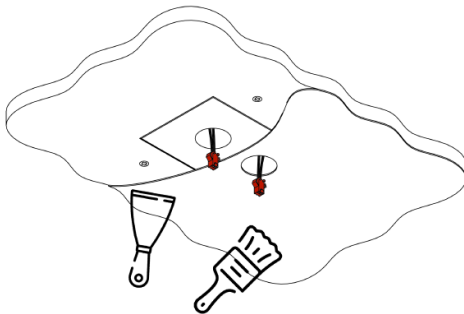
Installation guide



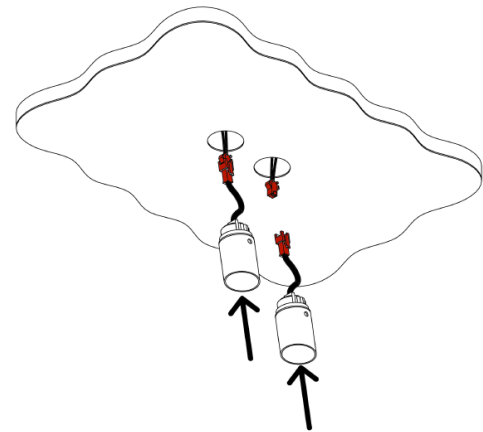
- 1** Insert the multi-plug cable into the ceiling



- 2** Insert the gypsum block and fix it
If necessary: adjust the high of the brackets according to the ceiling's thickness



- 3** Make the finishing seal around the gypsum block covering the screws
Make the painting



- 4** Insert the LED spots and fix them using the quick connectors
Insert the spotlights until you hear a "click"
(contact with the magnets or the spring plungers)

Tilted version:

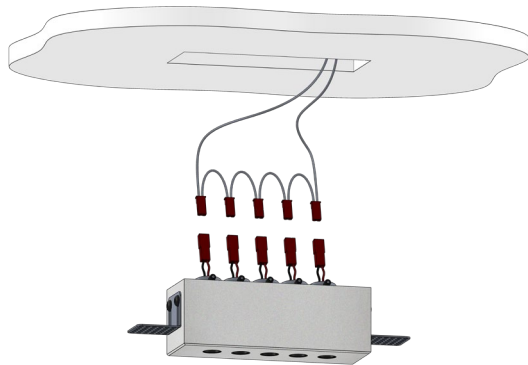
Install the LED spots so that they are perfectly aligned with the surface

All the connections have to be made before powering up,
otherwise the luminaires could be seriously damaged.

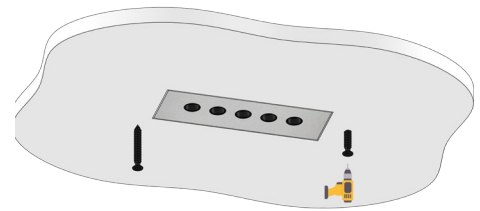


NANOSTAFF • Duo • 5 Spotlights

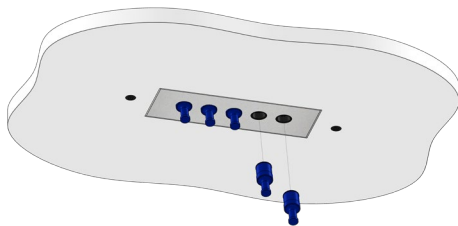
Installation guide (without spot removal using masking caps) (1/2)



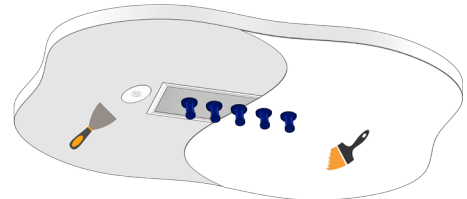
- 1 Insert the multi-plug cable into the ceiling



- 2 Insert the gypsum block and fix it
If necessary: adjust the high of the brackets according to the ceiling's thickness



- 3 Insert the silicone masking caps into the spotlight cavities
The caps push back the spotlights a few millimeters and close the holes completely



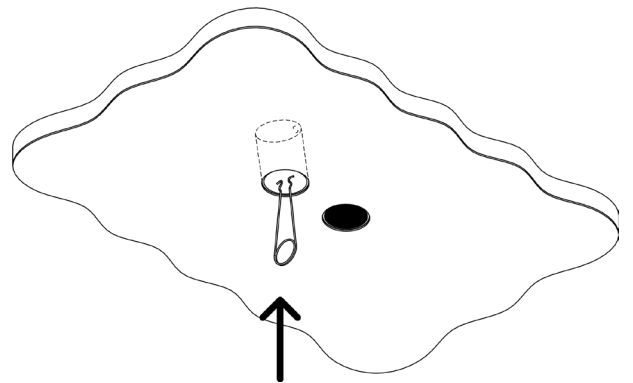
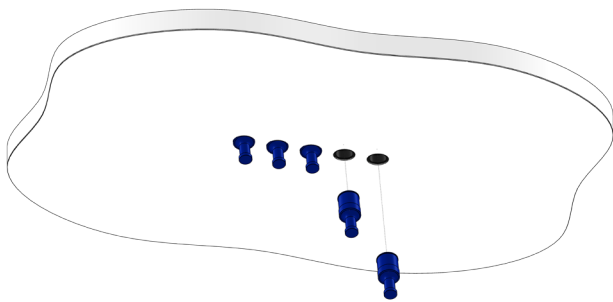
- 3 Make the finishing seal around the gypsum block covering the screws
Make the painting

All the connections have to be made before powering up, otherwise the luminaires could be seriously damaged.



NANOSTAFF • Duo • 5 Spotlights

Installation guide (without spot removal using masking caps) (2/2)

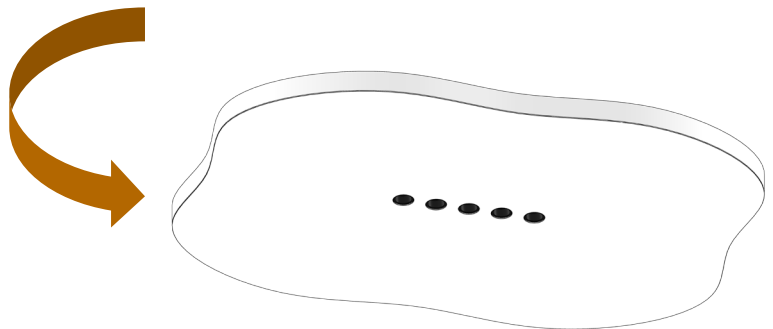


5 Remove the plugs right after applying the paint, before it has dried, to prevent cracking.

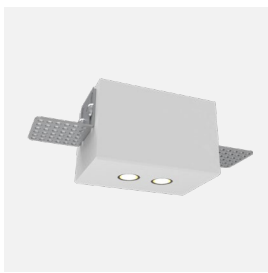
6 If necessary: use the extractor to return the spotlights to their flush position : Insert the extractor supplied into the 2 holes in each spotlight and pull until the spotlight “clicks” into place

Tilted versions:

Align the spotlights so that the bevel is flush with the ceiling surface.

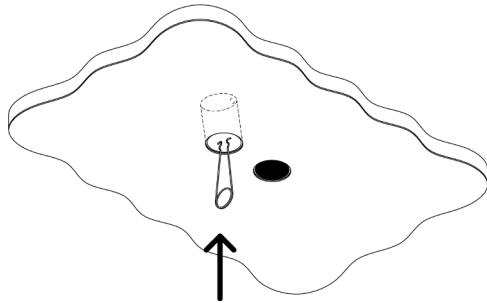


All the connections have to be made before powering up, otherwise the luminaires could be seriously damaged.

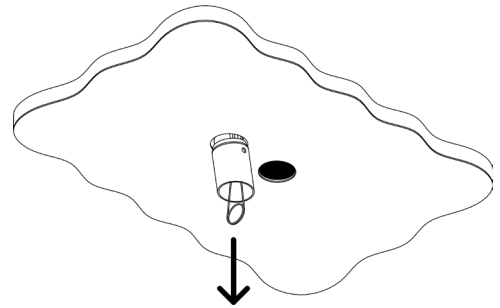


NANOSTAFF • Duo • 5 Spotlights

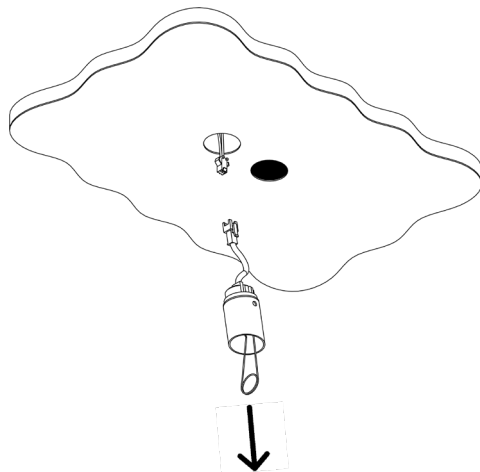
Replacement of LED spotlight(s)



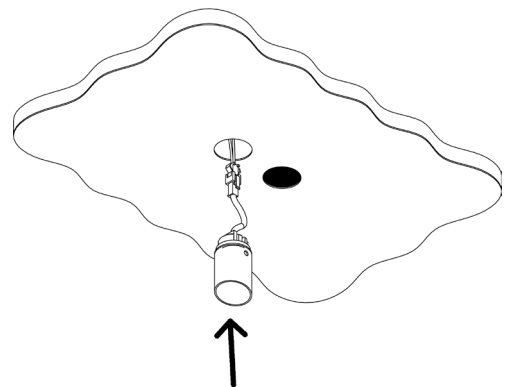
- 1 Insert the supplied extractor into the 2 holes of the LED spot to be replaced



- 2 Pull the extractor down to remove the LED spot



- 3 Remove the LED spot using the quick connector



- 4 Install the new LED spot using the remaining quick connector in the ceiling
Insert the spotlights until you hear a “click” (contact with the magnets or the spring plungers)

Tilted version:

Align the spotlights so that the bevel is flush with the ceiling surface

All the connections have to be made before powering up, otherwise the luminaires could be seriously damaged.