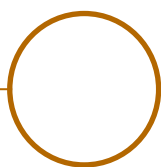
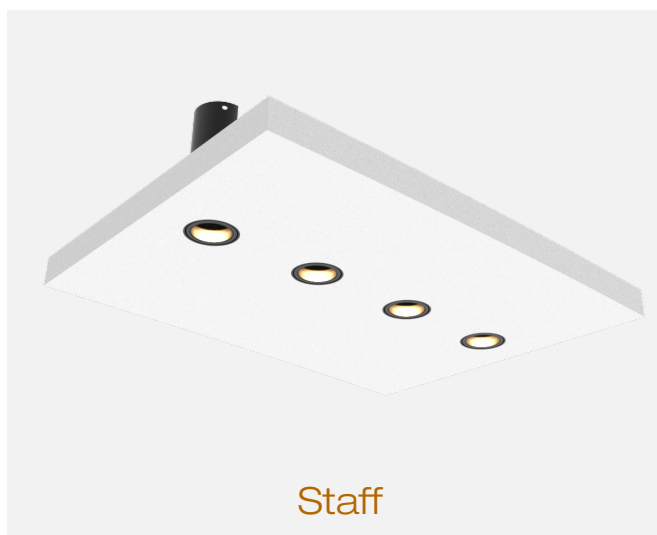
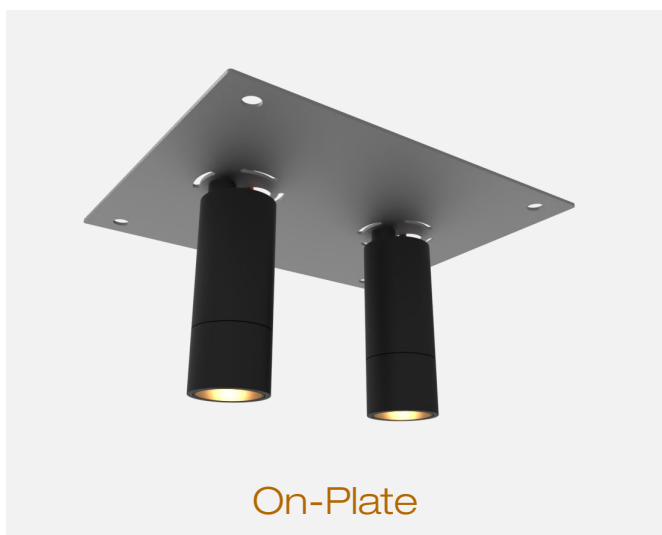
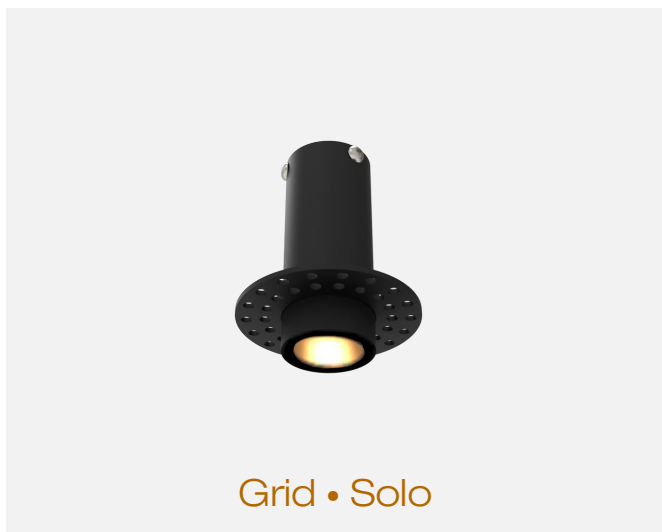


LOUSS

Lighting Emotion



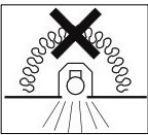
NANO22 TRIMLESS

Grid • On-Plate • Staff





NANO22 TRIMLESS • Grid Solo / Multi-spotlights • On-plate • Staff

Range	Trimless luminaire for general & accent lighting	
Description	Black matt finish magnetic low luminance spotlight(s), on a metal grid (straight or curved), metal plate or plasterboard plate, depending on installation requirements	
Dimensions	NANO22 Trimless Grid Solo	NANO22 Trimless Grid Multi-spotlights
	Steel grid Diameter : 50mm Thickness : 1.5mm	Steel grid Width : 60 or 100mm Thickness : 1.5mm Length : according to the number of spotlights
	NANO22 Trimless On-plate	NANO22 Trimless Staff
	Steel plate Width : 100mm Thickness : 1mm Length : according to the number of spotlights	Plasterboard plate Width : 180mm Thickness : 15mm Length : according to the number of spotlights
	Spotlights	
	Diameter : 22mm 25mm (with recessed box) Length : 61.5mm (with recessed box)	
LED characteristics	1 LED : 2200K – 2700K – 3000K – 3500K – 4000K (other upon request) MacAdam ellipse : 3 SDCM	
Optical beams	11° - 16° - 19° - 24° - 30° - 35° - 12°x70° 14°x38° - 22°x35°	
Connection	Supplied with 0.5m cable	
LED power	2W per spotlight at 700mA max.	
Use limitations	 <p>The product must be installed into a ventilated area This product must not be covered by insulating material Any use with an ambient temperature higher than the specified ambient temperature (Ta) would lead to a more rapid mortality of the product and the withdrawal of our guarantees The drivers, if not delivered by LOUSS, must be approved before use</p>	
Warranty	<p>Life span: L80B10 at 50,000 hours (80% remaining flux) at 25°C ambient temperature. 3-year parts and labor warranty. The warranty does not apply to products that have been opened, modified or repaired and does not cover the effects of a wrong connection, careless, abusive handling, overvoltage, lighting injury, as well as the normal wear of the product All products are electrically tested and received a functional burn-in</p>	

All the connections have to be made before powering up, otherwise the luminaires could be seriously damaged

LOUSS

Creation : 2025.12.04 / Last update : 2026.05.06

2/7

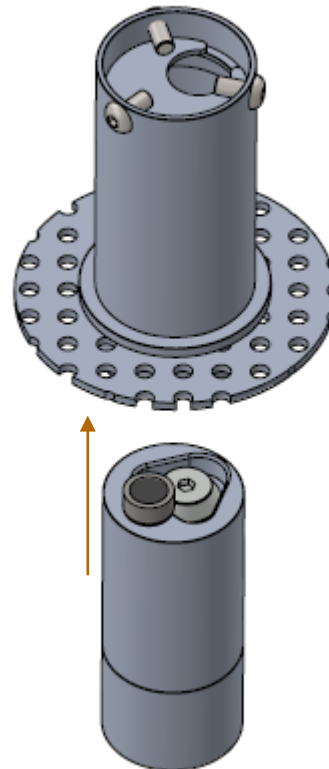
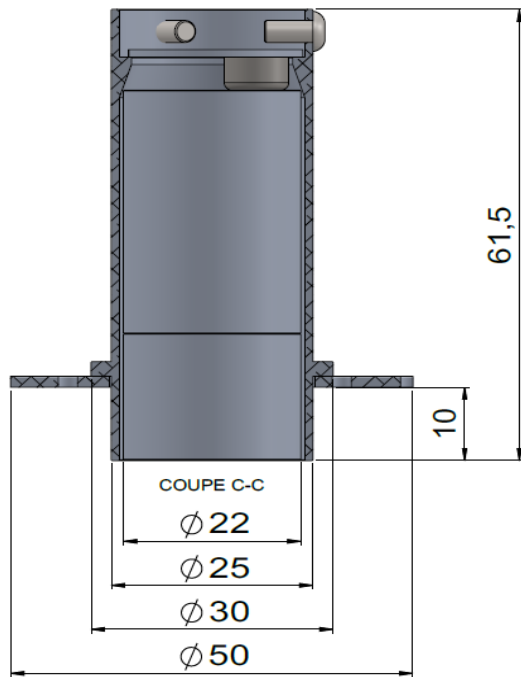
BEST SAS, Capital 200 000€
RCS Dijon B 408 483 485
TVA/VAT n° : FR94 408 483 485
APE 2612Z

Tel. : +33 380 48 65 68
contact@louss.fr
www.louss.fr
Best & LOUSS

Siège social / Head Office
PA Les Terres d'Or
Route de Saint Philibert
21220 Gevrey Chambertin - FRANCE



NANO22 TRIMLESS GRID • SOLO



1 Installation of the recessed box

2 Insertion of the magnetic spotlight

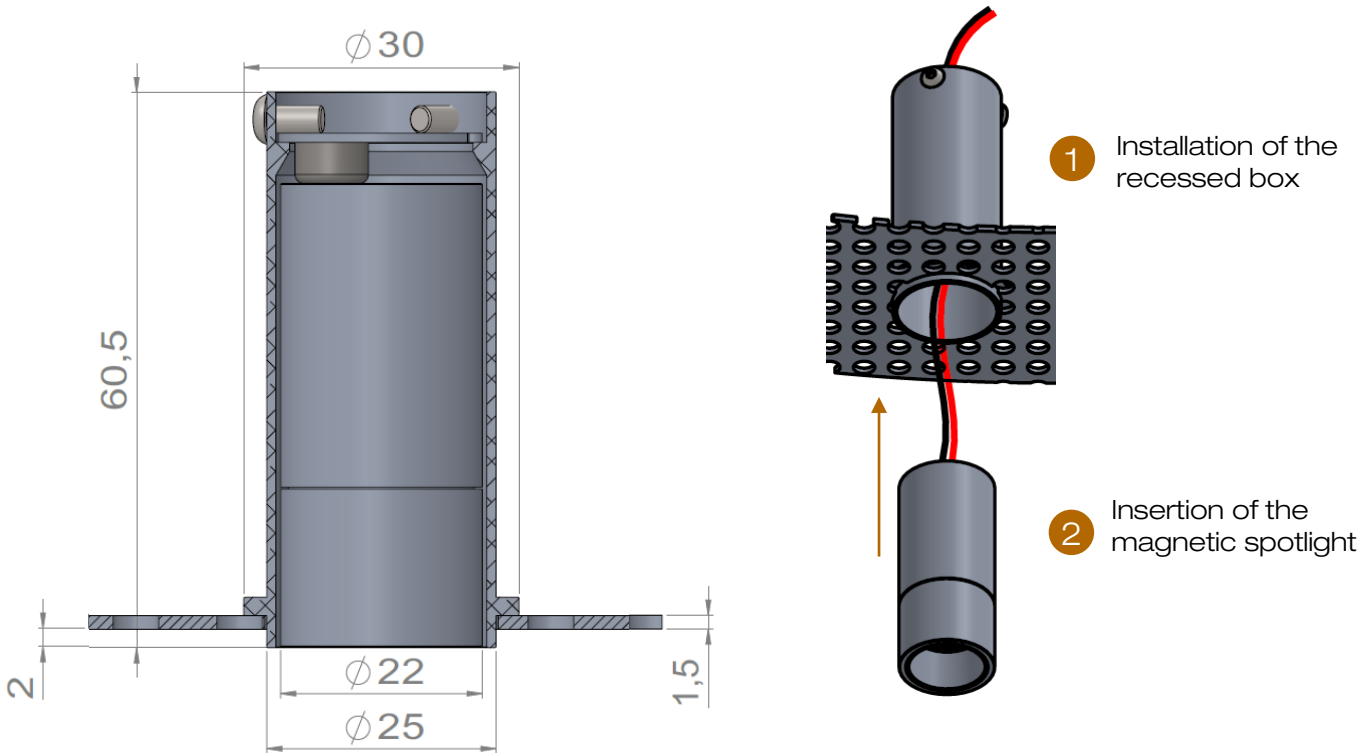
All the connections have to be made before powering up, otherwise the luminaires could be seriously damaged



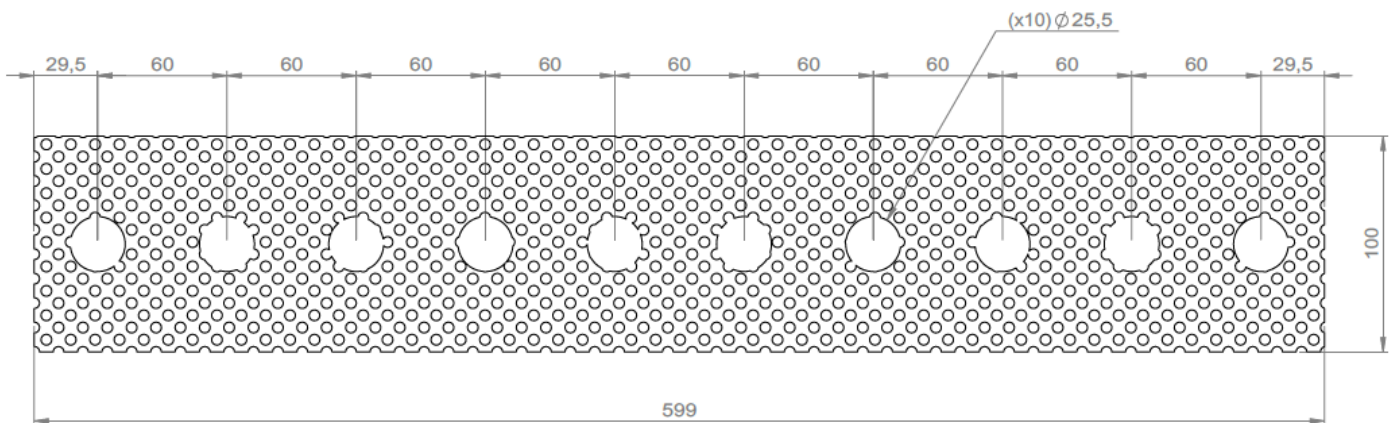
NANO22 TRIMLESS GRID • MULTI-SPOTLIGHTS

Straight version

Metal plate length & number of spotlights upon request



Example 599mm – 10 spotlights version



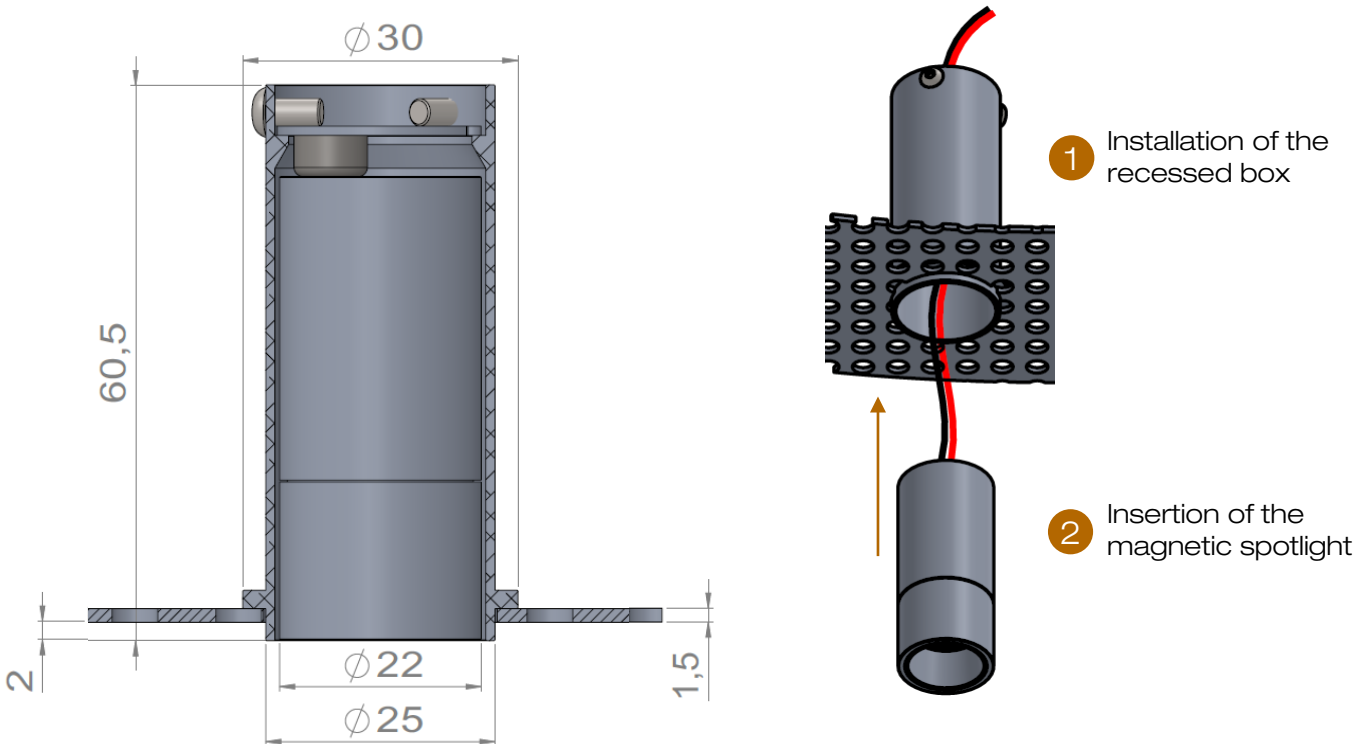
All the connections have to be made before powering up, otherwise the luminaires could be seriously damaged



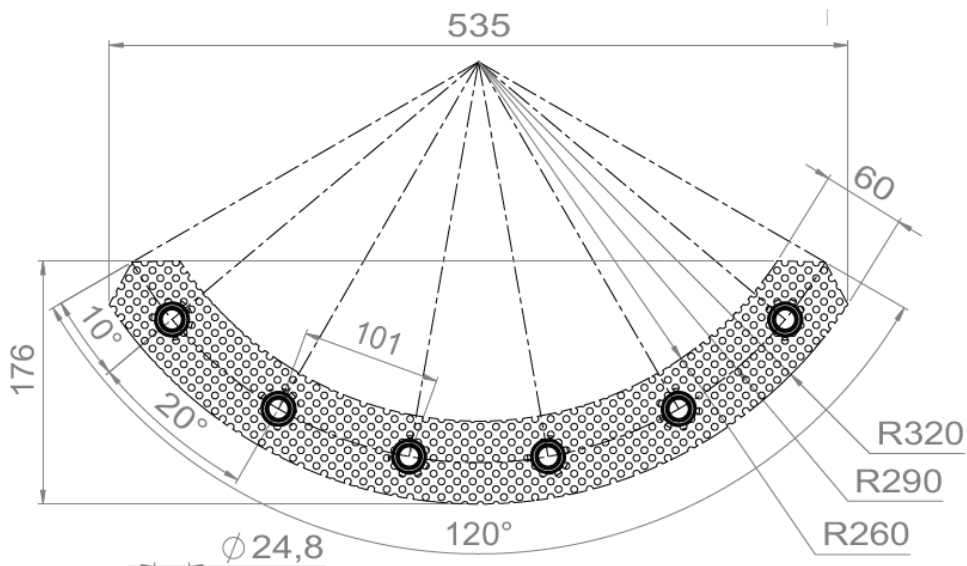
NANO22 TRIMLESS GRID • MULTI-SPOTLIGHTS

Curved version

Metal plate length & number of spotlights upon request



Example : 120° version – 6 spotlights

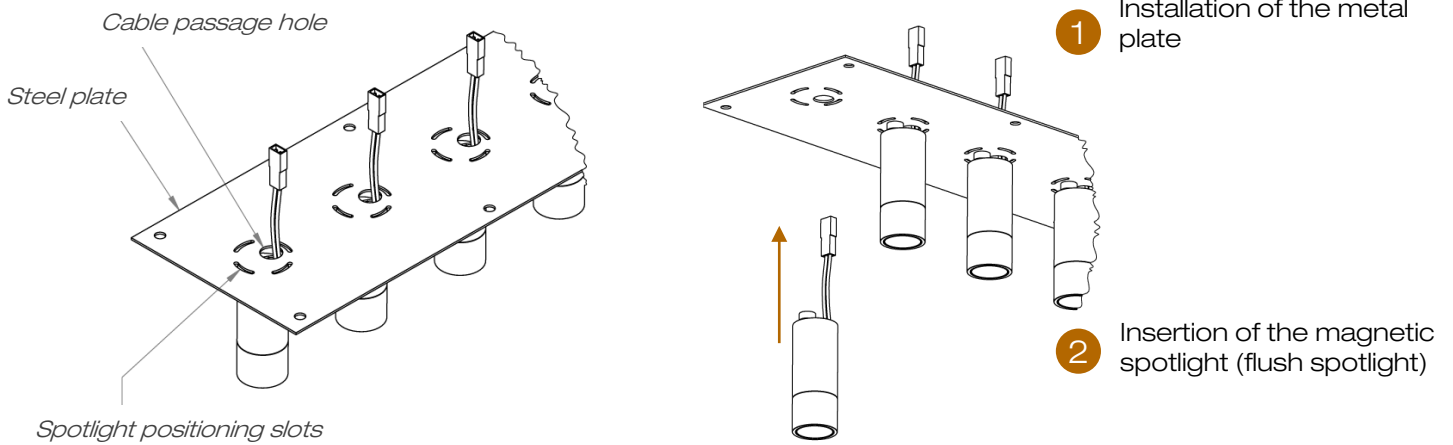


All the connections have to be made before powering up, otherwise the luminaires could be seriously damaged

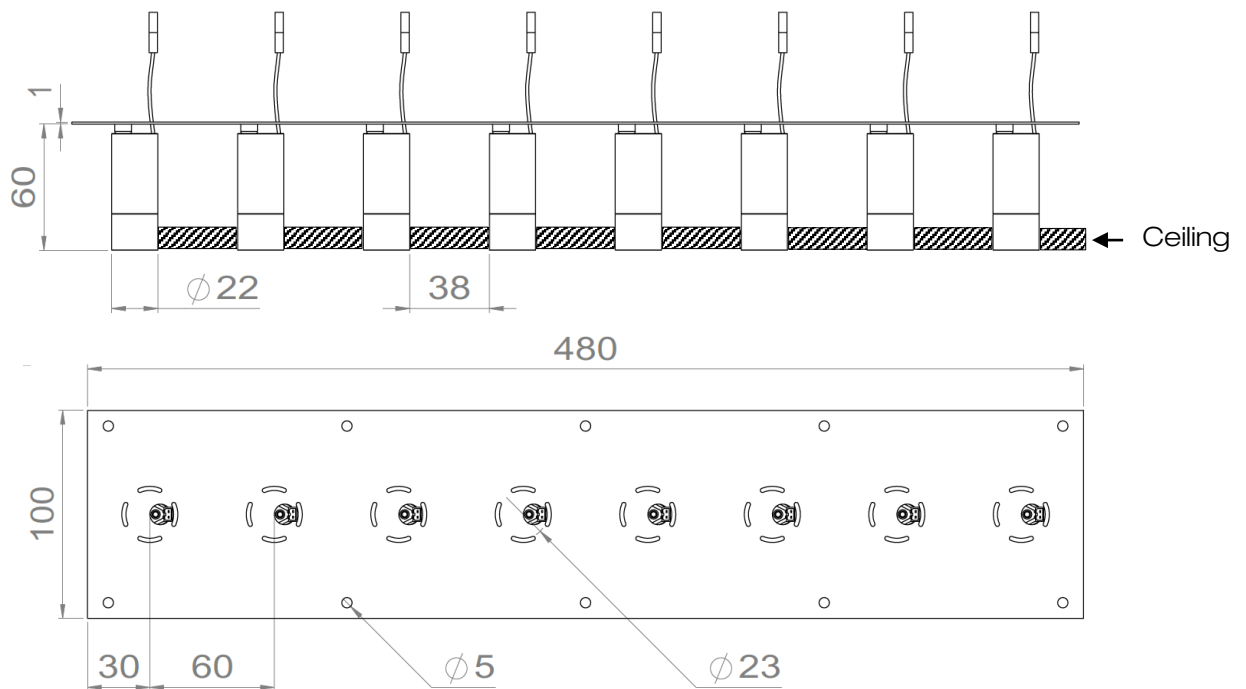


NANO22 TRIMLESS ON-PLATE

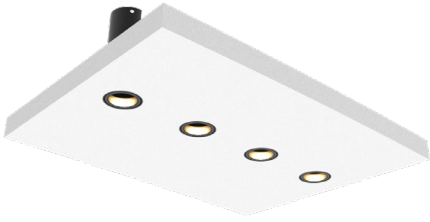
Metal plate length & number of spotlights upon request



Exemple version 480mm – 8 spots • Example 480mm – 8 spotlights version

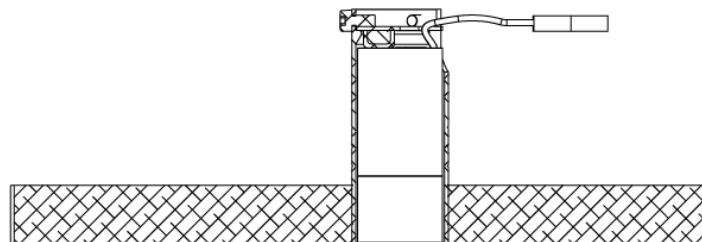
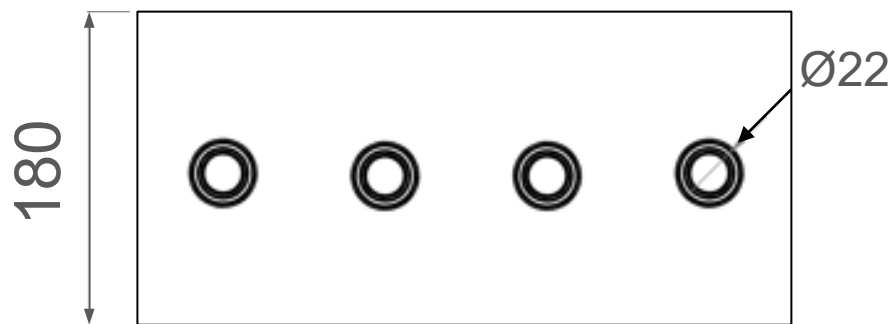
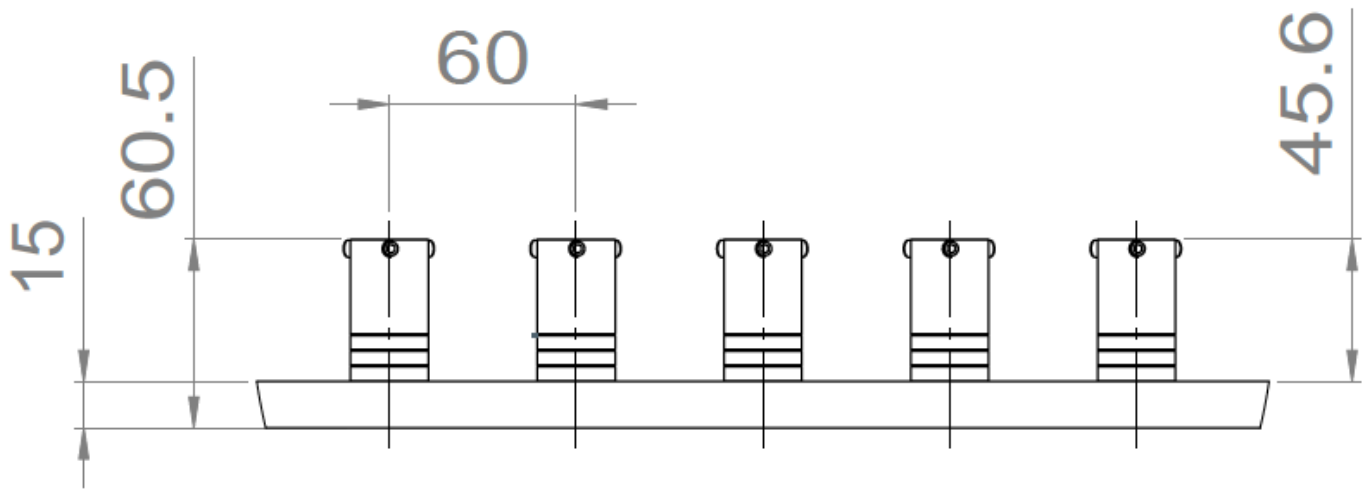


All the connections have to be made before powering up, otherwise the luminaires could be seriously damaged



NANO22 TRIMLESS STAFF

Platerboard plate length & number of spotlights upon request



All the connections have to be made before powering up, otherwise the luminaires could be seriously damaged

LOUSS

Creation : 2025.12.04 / Last update : 2026.05.06

7/7

BEST SAS, Capital 200 000€
RCS Dijon B 408 483 485
TVA/VAT n° : FR94 408 483 485
APE 2612Z

Tel. : +33 380 48 65 68
contact@louss.fr
www.louss.fr
Best & LOUSS

Siège social / Head Office
PA Les Terres d'Or
Route de Saint Philibert
21220 Gevrey Chambertin - FRANCE