

# LOUSS

Lighting Emotion



## MYSTA RECESSED

The mysterious luminaire



## MYSTA • Trimless • Trim

<b>Range</b>	Adjustable low luminance recessed spotlight for general & accent lighting			
<b>Description</b>	Rotation 360° - Adjustable tilt 30° <b>Optional</b> : Easily changeable LED, optics and accessories on site, without any tool, with integrated <b>Easy Swap</b> system (see page 4)			
<b>Finish</b>	White RAL 9003 matt finish Black RAL 9005 matt finish (other upon request)			
<b>Dimensions</b>	<b>Trimless</b>	<b>Trim</b>		
	Spotlight diameter : 42mm Installation diameter : 74.5mm Installation depth : 85mm	Spotlight diameter : 42mm External diameter : 90.5mm Installation diameter : 74.5mm Installation depth : 83.5mm		
<b>Net weight</b>	± 0.150g according to version			
<b>LED characteristics</b>	2700K – 3000K – 3500K – 4000K – 5000K (other upon request) MacAdam ellipse : 3 SDCM (standard version) – 2 SDCM (premium version) CRI 90 (standard version) – CRI 95, R9>80 (premium version)			
<b>Optical beams &amp; Performances</b>	<b>Beam</b>	<b>Candela</b>	<b>Power</b>	<b>Photometry</b>
	11°	10,900 cd (3000K)	7W	les 2591A
	16°	6,300 cd (3500K)	8W	les 2645A
	20°	4,400 cd (3500K)	7W	les 2510A
	23°	3,100cd (3500K)	7W	les 2511A
	34°	1,700cd (3500K)	8W	les 2617A
	43°	1,050 cd (3500K)	7W	les 2513A
	Other beams upon request 300 to 800 lumen UGR < 15			
<b>Accessories</b>	Filters, honeycomb grid upon request			
<b>Connection</b>	Supplied with 0.5m cable (more length upon request)			
<b>Separate power supply</b>	700mA max. external constant current driver Dimmable driver upon request For the US & Canada use a UL class 2 driver			
<b>Consommation</b>	4W to 9W max. according to version			

All the connections have to be made before powering up,  
otherwise the luminaires could be seriously damaged

Creation : 2025.08.22 / Last update : 2026.04.08



## MYSTA • Trimless • Trim

<b>Use limitations</b>	The product must be installed into a ventilated area Any use with an ambient temperature higher than the specified ambient temperature (Ta) would lead to a more rapid mortality of the product and the withdrawal of our guarantees The drivers, if not delivered by LOuss, must be approved before use
<b>Warranty</b>	Life span: L80B10 at 50,000 hours (80% remaining flux) at 25°C ambient temperature. 3-year parts and labor warranty The warranty does not apply to products that have been opened, modified or repaired and does not cover the effects of a wrong connection, careless, abusive handling, overvoltage, lighting injury, as well as the normal wear of the product All products are electrically tested and received a functional burn-in

All the connections have to be made before powering up,  
otherwise the luminaires could be seriously damaged

Creation : 2025.08.22 / Last update : 2026.04.08

LOuss

BEST SAS, Capital 200 000€  
RCS Dijon B 408 483 485  
TVA/VAT n° : FR94 408 483 485  
APE 2612Z

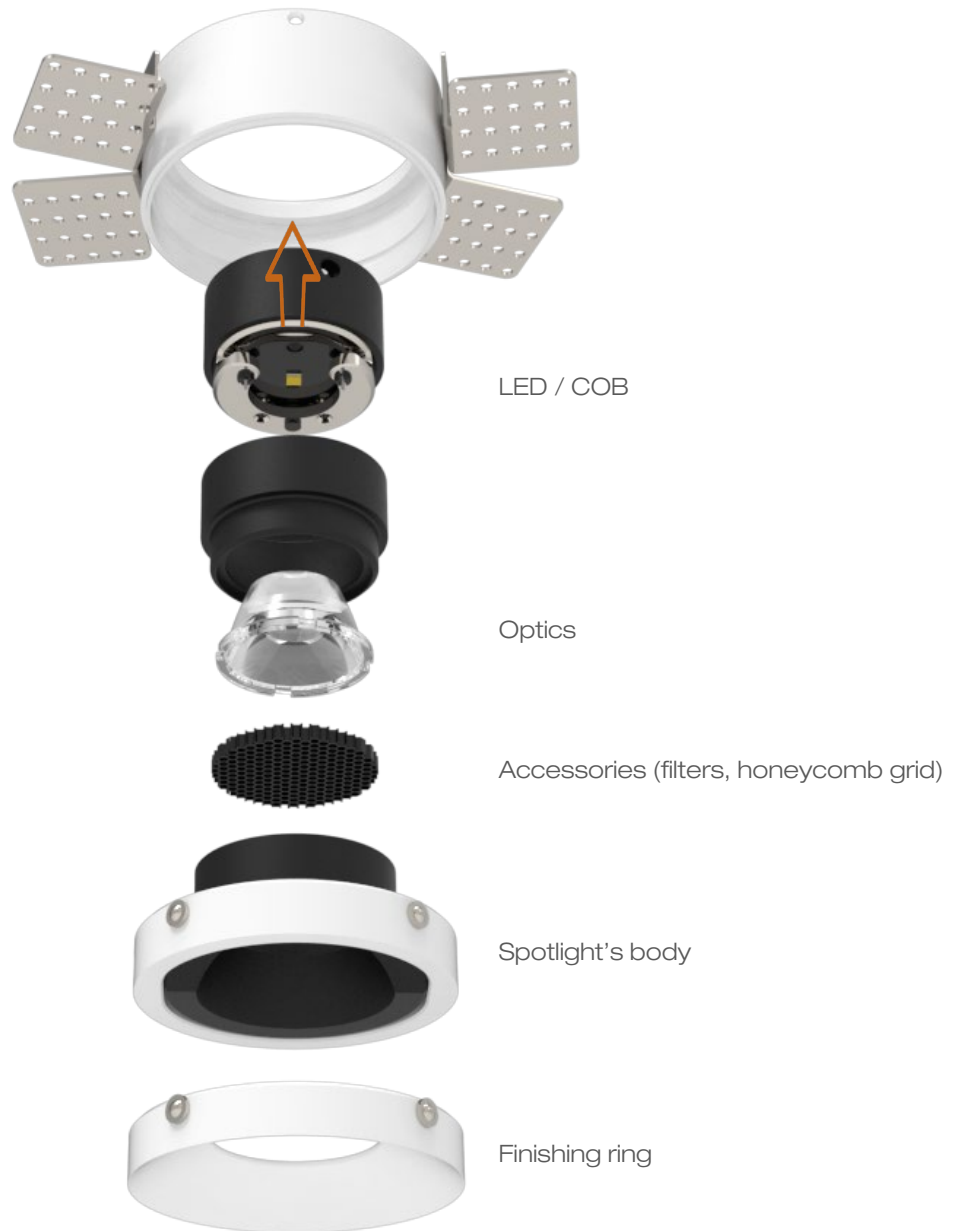
Tel. : +33 380 48 65 68  
contact@louss.fr  
[www.louss.fr](http://www.louss.fr)  
Best & LOuss

Siège social / Head Office  
PA Les Terres d'Or  
Route de Saint Philibert  
21220 Gevrey Chambertin - FRANCE



**MYSTA • Trimless • Trim**

**Easy Swap System**

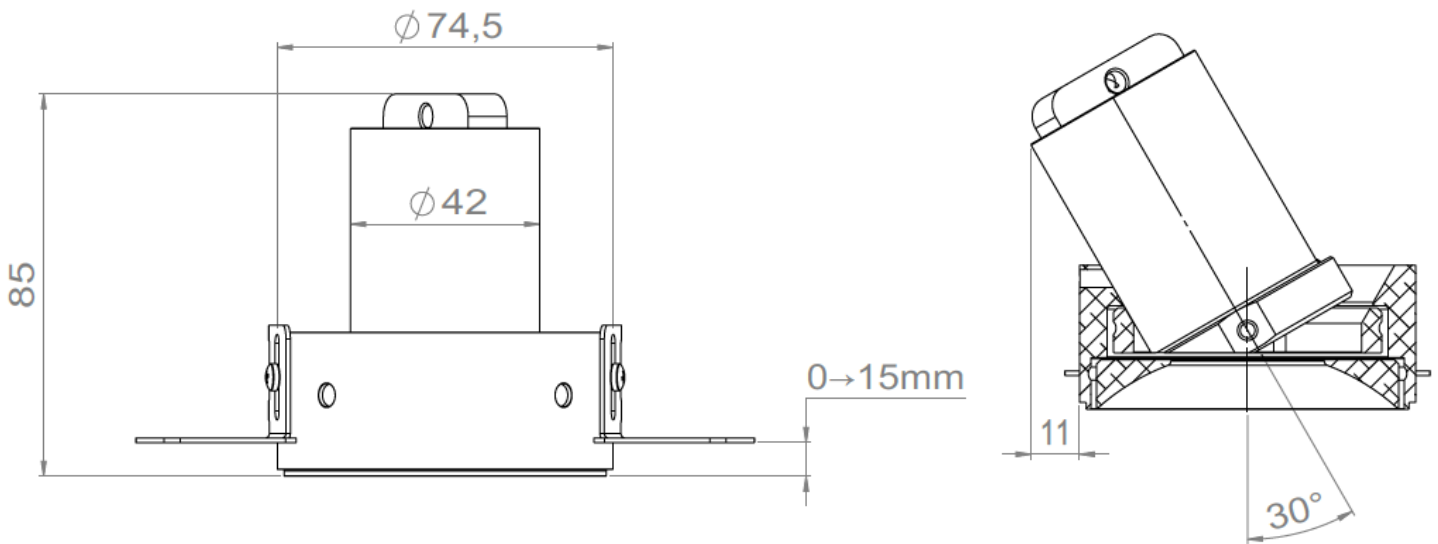


All the connections have to be made before powering up,  
otherwise the luminaires could be seriously damaged

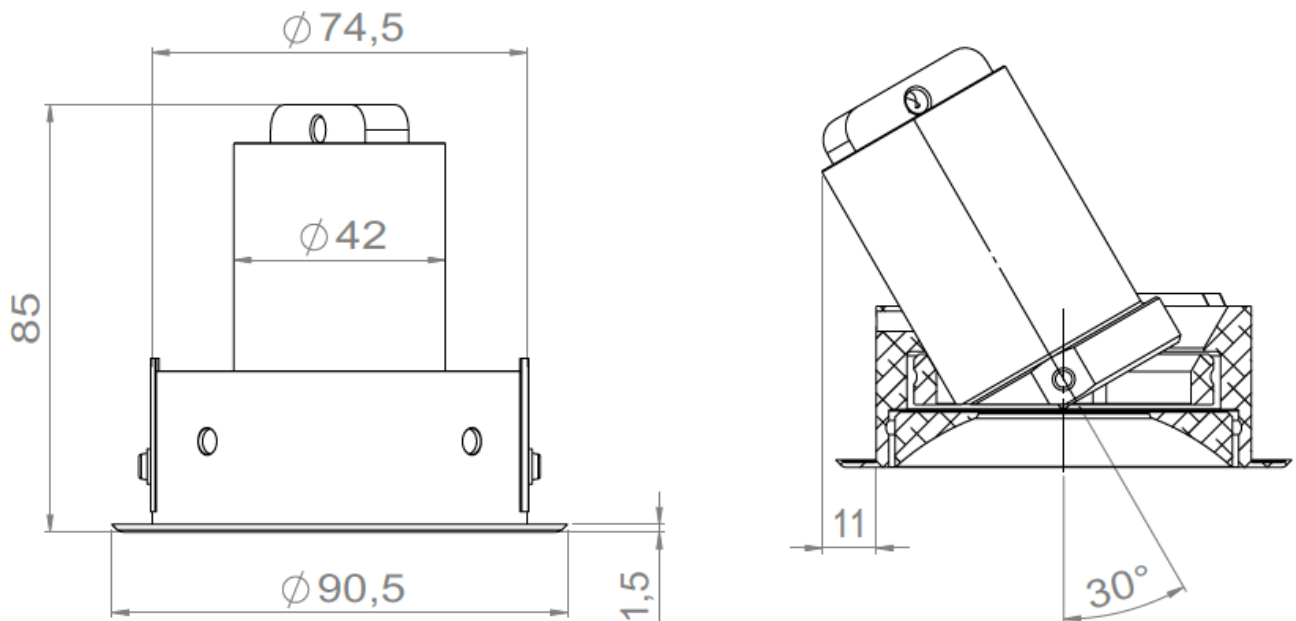
Creation : 2025.08.22 / Last update : 2026.04.08



## MYSTA Trimless



## MYSTA Trim



All the connections have to be made before powering up,  
otherwise the luminaires could be seriously damaged

Creation : 2025.08.22 / Last update : 2026.04.08

LOUSS

BEST SAS, Capital 200 000€  
RCS Dijon B 408 483 485  
TVA/VAT n° : FR94 408 483 485  
APE 2612Z

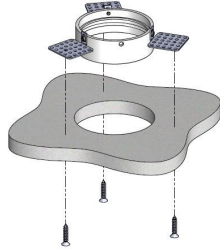
Tel. : +33 380 48 65 68  
contact@louss.fr  
[www.louss.fr](http://www.louss.fr)  
Best & LOUSS

Siège social / Head Office  
PA Les Terres d'Or  
Route de Saint Philibert  
21220 Gevrey Chambertin - FRANCE

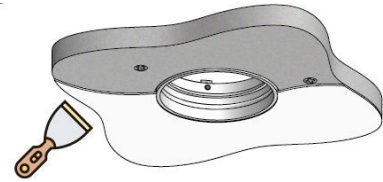


## MYSTA Trimless Installation guide

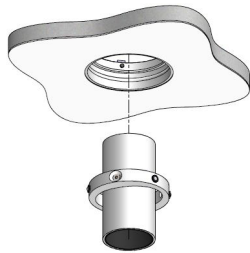
### Installation from above



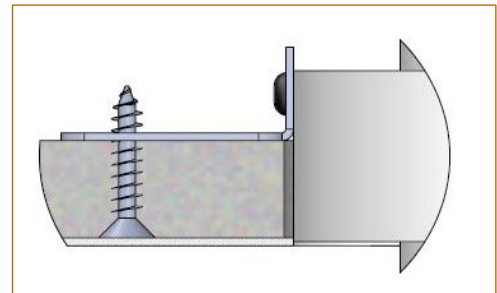
Install the recessed box from above  
and screw it into the surface



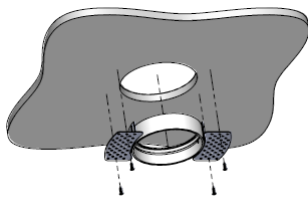
Cover the lateral plates of the recessed box  
by coating and painting



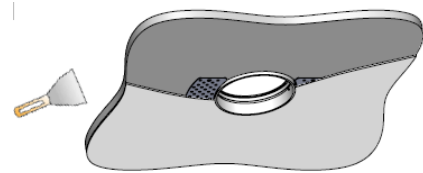
Insert the spotlight from below



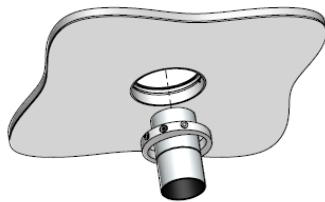
### Installation from below



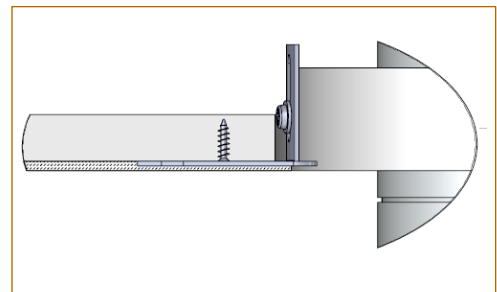
Install the recessed box from below  
and screw it into the surface



Cover the lateral plates of the recessed box  
by coating and painting



Insert the spotlight from below



All the connections have to be made before powering up,  
otherwise the luminaires could be seriously damaged

Creation : 2025.08.22 / Last update : 2026.04.08