



Firalux

Lighting Emotion



Duo - Straight



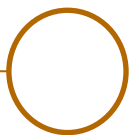
Duo - Tilted



Duo - Wall Washer

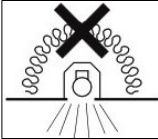
MINISTAFF

LED spotlights in duo





MINISTAFF • Duo Straight • Duo Tilted • Duo Wall-Washer

Range	Duo of recessed luminaires for general & accent lighting		
Description	Cluster of 2 low luminance spotlights inserted in a recessed gypsum board equipped with fixing brackets for BA13 plasterboard installation Duo Straight : no tilt Duo Tilted : 10° or 20° fixed tilt Duo Wall-Washer : 25° fixed tilt		
Finish	Black matt finish spotlights Raw finish gypsum board		
Dimensions	Duo Straight	Duo Tilted	Duo Wall-Washer
	Spots diameter : 27mm Length : 130mm Width : 80mm Height : 48.5mm	Spots diameter : 27mm Length : 130mm Width : 80mm Height : 52mm	Spots diameter : 27mm Length : 130mm Width : 80mm Height : 45mm
LED characteristics	2 LEDs 2700K - 3000K - 3500K - 4000K (other upon request) MacAdam ellipse : 3 SDCM CRI 90		
Optical beams	Duo Straight & Ministaff Duo Tilted : 10° - 20° - 40° Duo Wall Washer : 40°		
Luminous flux	110 lumen		
Connection	Supplied with 0.5m cable for serial cabling		
Power supply	700mA max. external constant current driver For the US & Canada use a driver UL class 2		
Power	4W max.		
Use limitations	 <p>The product must be installed into a ventilated area This product must not be covered by insulating material Any use with an ambient temperature higher than the specified ambient temperature (Ta) would lead to a more rapid mortality of the product and the withdrawal of our guarantees The drivers, if not delivered by LOuss, must be approved before use</p>		
Warranty	Life span: L80-B10 = 35,000 hours (80% remaining flux) at 30°C ambient temperature The warranty applies to components and fabrication supplied by Louss The warranty does not apply to products that have been opened, modified or repaired and does not cover the effects of a wrong connection, careless, abusive handling, overvoltage, lighting injury, as well as the normal wear of the product All products are electrically tested and receive a functional burn-in		

All the connections have to be made before powering up,
otherwise the luminaires could be seriously damaged

LOuss

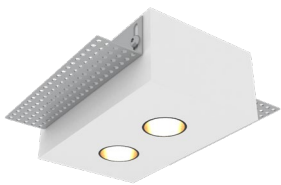
Creation : 2018.06.01 / Last update : 2025.06.26

2/4

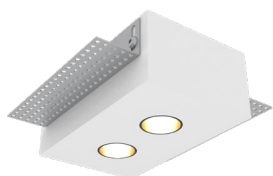
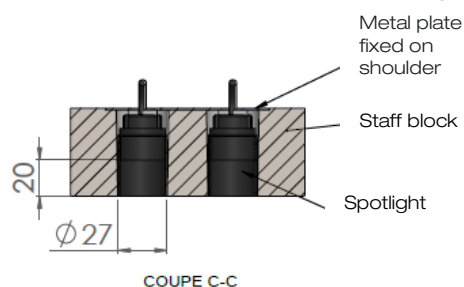
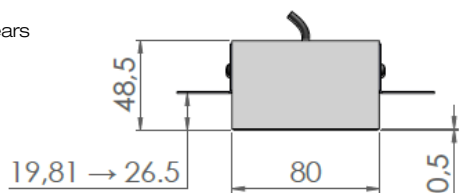
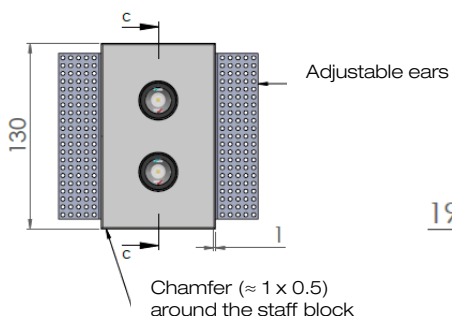
BEST SAS, Capital 200 000€
RCS Dijon B 408 483 485
TVA/VAT n° : FR94 408 483 485
APE 2612Z

Tel. : +33 380 48 65 68
contact@louss.fr
www.louss.fr
Best & LOuss

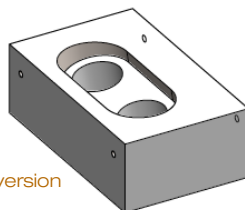
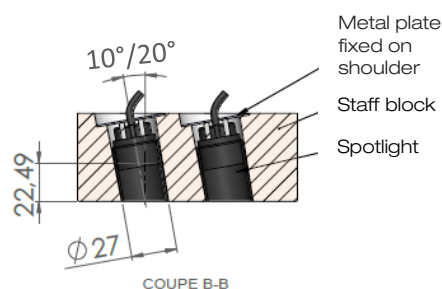
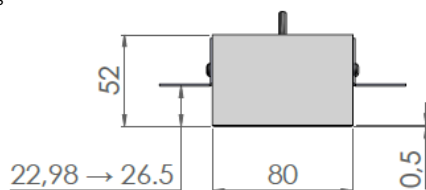
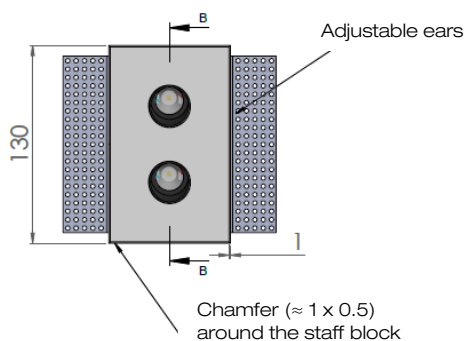
Siège social / Head Office
PA Les Terres d'Or
Route de Saint Philibert
21220 Gevrey Chambertin - FRANCE



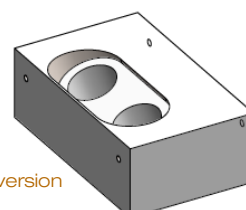
MINISTAFF DUO STRAIGHT



MINISTAFF DUO TILTED



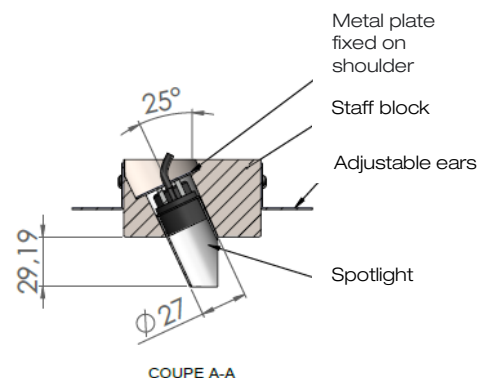
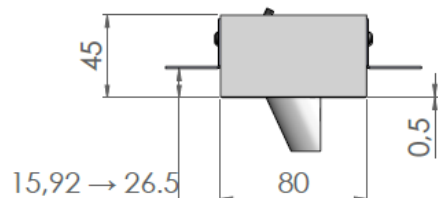
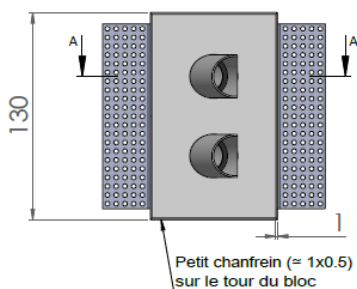
10° tilt version

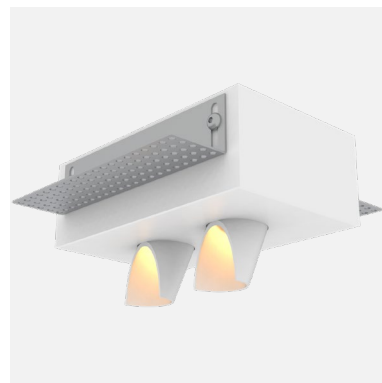


20° tilt version



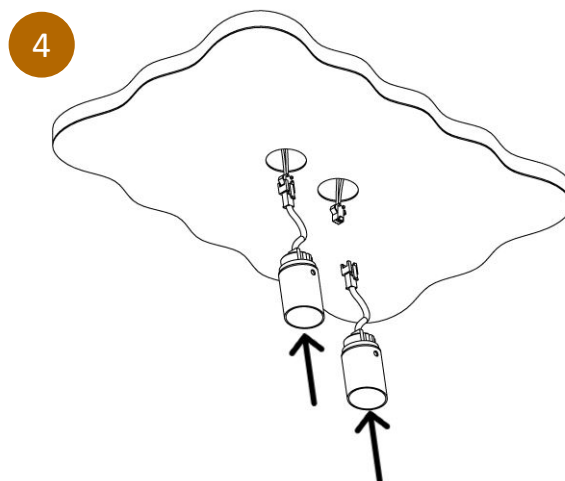
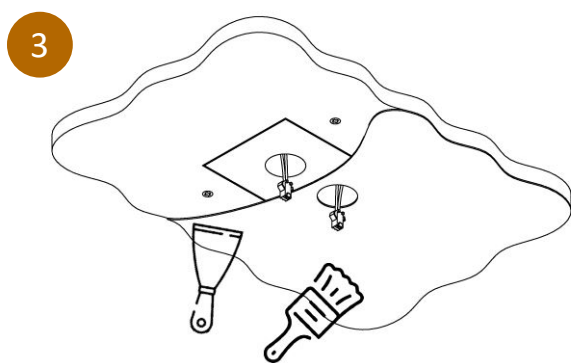
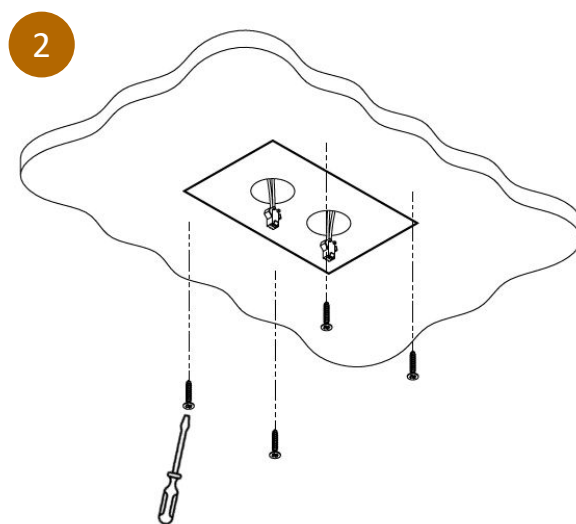
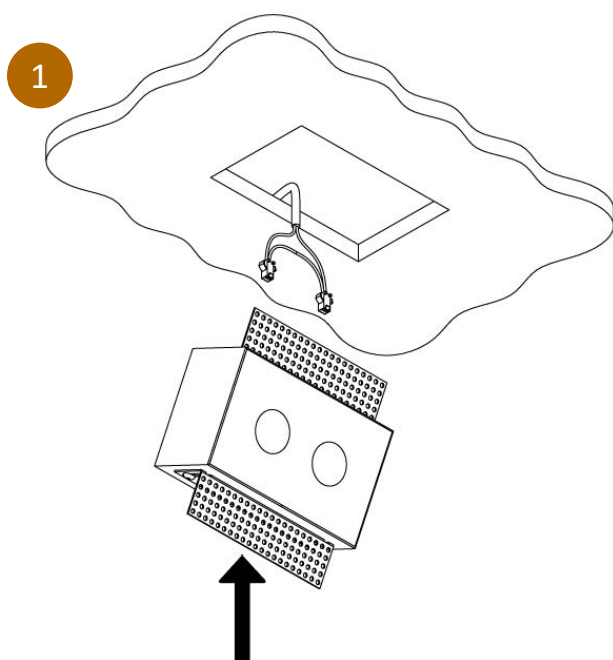
MINISTAFF DUO WALL-WASHER





MINISTAFF • Duo Straight • Duo Tilted • Duo Wall-Washer

Installation guide



All the connections have to be made before powering up,
otherwise the luminaires could be seriously damaged

LOUSS

Creation : 2018.06.01 / Last update : 2025.06.26

4/4

BEST SAS, Capital 200 000€
RCS Dijon B 408 483 485
TVA/VAT n° : FR94 408 483 485
APE 2612Z

Tel. : +33 380 48 65 68
contact@louss.fr
www.louss.fr
Best & LOUSS

Siège social / Head Office
PA Les Terres d'Or
Route de Saint Philibert
21220 Gevrey Chambertin - FRANCE