

**ELIS D55**  
SUSPENDED  
CEILING





## ELIS D55 SUSPENDED CEILING

### Common characteristics

Range	Low luminance luminaire for general and accent lighting
Description	Black anodized aluminum heatsink RAL 9005 extra matt finish painted aluminum tube
Installation	Luminaire designed to be surface-mounted, by inserting the springs into the surface (not suitable for flush-mounting) Must be installed vertically (not suitable for horizontal installation) The fixing method must be adapted to the nature of the support and must withstand a weight of 2.5kg, i.e. 5 times the weight of the luminaire
Limits of use	The product must be installed in a ventilated area, at a minimum distance of 4 cm from any vertical wall. Any use in an ambient temperature above 30° will result in premature product mortality and the withdrawal of the warranty  Not suitable for mounting on easily flammable materials Drivers, if not supplied by LOuss, must be approved before use. All products are tested before delivery
Warranty	Guaranteed flux: 80% of initial flux after 50,000 hours (L80B10), at 30°C ambient temperature  3-year parts and labor warranty. This warranty covers problems related to the manufacture and components of our products. The warranty does not apply if the product has been opened, modified or repaired. Damage caused by incorrect connection, lightning, overvoltage or misuse is not covered.  Repairs are carried out in our workshop

**Tous les raccordements doivent impérativement être effectués avant la mise sous tension  
sous peine d'endommager sérieusement les LED.  
Alimenter ce luminaire en tension constante peut l'endommager de manière irréversible**

**LOuss**

Mise à jour : 29.09.2023

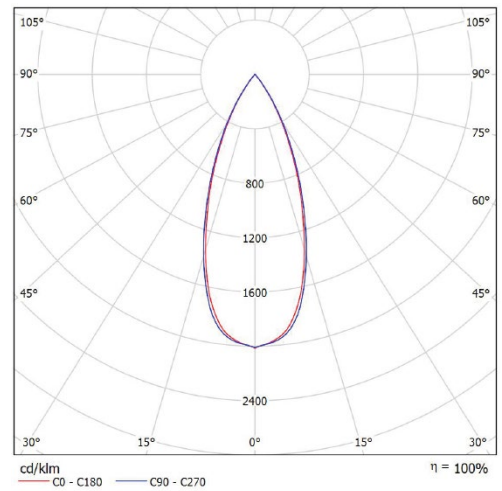
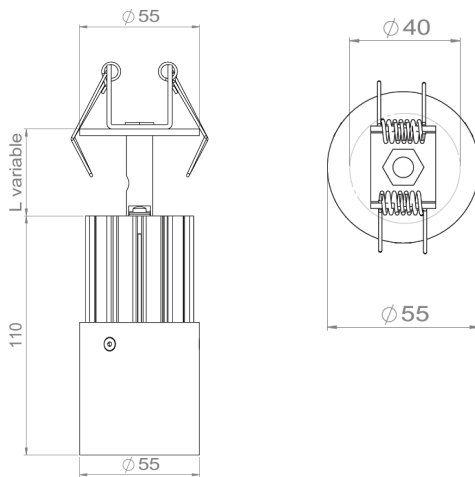
2/6

*Firalux & LOuss brands*

SARL, Capital 40 000€  
RCS DIJON B 503 367 245  
TVA/VAT n°: FR24 503 367 245  
APE 4676Z

Tel. : +33 380 48 65 68  
contact@louss.fr  
[www.louss.fr](http://www.louss.fr)  
Best group

Siège social / Head Office  
PA Les Terres d'Or  
Route de Saint Philibert  
21220 Gevrey Chambertin - FRANCE



## ELIS D55 FP-44°

Dimensions	<p>Luminaire : Length 110mm - Diameter 55mm</p> <p>Rod : Length on request between 40mm and 300mm</p> <p>Total height : 150mm to 410mm</p>
Installation	<p>Surface-mounted under suspended ceiling</p> <p>Recessed diameter 40mm</p> <p>2 holes D.3mm in the springs' support to fix a safety sling if necessary</p>
Net weight	0.450Kg (40mm stem) to 0.55Kg (300mm stem)
LED characteristics	<p>2700K</p> <p>Ellipse MacAdam: 3 SDCM</p> <p>IRC90</p> <p>UGR &lt; 15</p> <p>1,400lm at 500mA</p>
Optical beam	44°
Connection	Supplied with 1m cable
Separate power supply	<p>External constant-current driver 500mA max, type SELV, compliant with EN 61347-2-13 standard.</p> <p>This driver must supply a minimum constant current of 50mA to obtain a luminous flux &gt; 45 lm</p> <p>It must not be able to deliver a current greater than 2A in both normal and short-circuit operation</p> <p>Junction block not included. Installation may require the advice of a qualified person</p>
Consumption	18W at 500mA max
Electrical characteristics	<p>Electrical class : III</p> <p>Max. current : 500mA</p> <p>Power : 18W at 500mA</p> <p>Voltage : 36V at 500mA</p>

All connections must be made before switching on the power supply.  
 otherwise the LEDs may be seriously damaged.  
 Supplying this luminaire with constant voltage may cause irreversible damage.

3/6

**LOUSS**

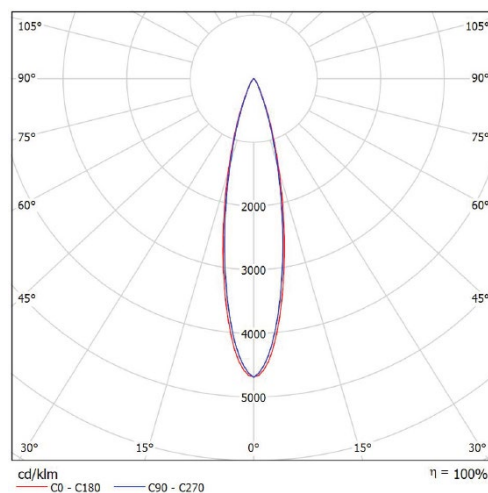
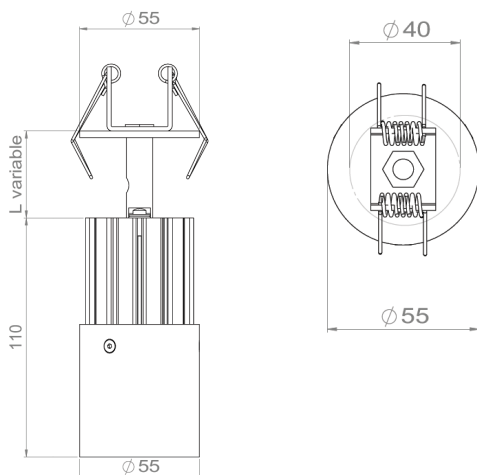
Last update : 2023/10/23

*Firalux & LOUSS brands*

SARL, Capital 40 000€  
 RCS DIJON B 503 367 245  
 TVA/VAT n°: FR24 503 367 245  
 APE 4676Z

Tel. : +33 380 48 65 68  
 contact@louss.fr  
 www.louss.fr  
 Best group

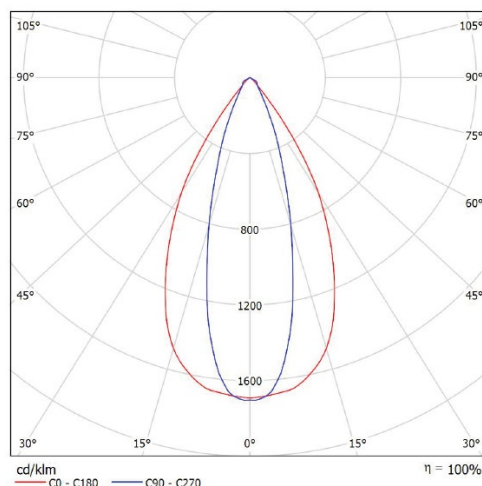
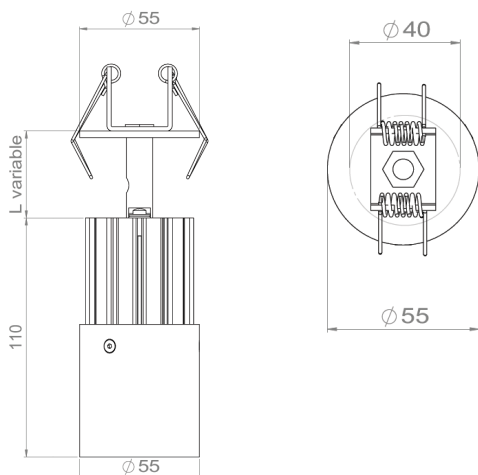
Siège social / Head Office  
 PA Les Terres d'Or  
 Route de Saint Philibert  
 21220 Gevrey Chambertin - FRANCE



## ELIS D55 FP-21°

Dimensions	<p>Luminaire : Length 110mm - Diameter 55mm</p> <p>Rod : Length on request between 40mm and 300mm</p> <p>Total height : 150mm to 410mm</p>
Installation	<p>Surface-mounted under suspended ceiling</p> <p>Recessed diameter 40mm</p> <p>2 holes D.3mm in the springs' support to fix a safety sling if necessary</p>
Net weight	0.450Kg (40mm stem) to 0.55Kg (300mm stem)
LED characteristics	<p>2700K</p> <p>Ellipse MacAdam: 3 SDCM</p> <p>IRC90</p> <p>UGR &lt; 15</p> <p>1,400lm at 500mA</p>
Optical beam	21°
Connection	Supplied with 1m cable
Separate power supply	<p>External constant-current driver 500mA max, type SELV, compliant with EN 61347-2-13 standard.</p> <p>This driver must supply a minimum constant current of 50mA to obtain a luminous flux &gt; 45 lm</p> <p>It must not be able to deliver a current greater than 2A in both normal and short-circuit operation.</p> <p>Junction block not included. Installation may require the advice of a qualified person</p>
Consumption	18W at 500mA max
Luminaire electrical characteristics	<p>Electrical class : III</p> <p>Max. current : 500mA</p> <p>Power : 18W at 500mA</p> <p>Voltage : 36V at 500mA</p>

All connections must be made before switching on the power supply.  
otherwise the LEDs may be seriously damaged.  
Supplying this luminaire with constant voltage may cause irreversible damage



## ELIS D55 FP-ELLIPTICAL

Dimensions	<p>Luminaire : Length 110mm - Diameter 55mm</p> <p>Rod : Length on request between 40mm and 300mm</p> <p>Total height : 150mm to 410mm</p>
Installation	<p>Surface-mounted under suspended ceiling</p> <p>Recessed diameter 40mm</p> <p>2 holes D.3mm in the springs' supports to fix a safety sling if necessary</p>
Net weight	0.450Kg (40mm stem) to 0.55Kg (300mm stem)
LED characteristics	<p>2700K</p> <p>Ellipse MacAdam: 3 SDCM</p> <p>IRC90</p> <p>UGR &lt; 15</p> <p>1,400lm at 500mA</p>
Optical beam	Elliptic 30°x57°
Connection	Supplied with 1m cable
Separate power supply	<p>External constant-current driver 500mA max, type SELV, compliant with EN 61347-2-13 standard</p> <p>This driver must supply a minimum constant current of 50mA to obtain a luminous flux &gt; 45 lm</p> <p>It must not be able to deliver a current greater than 2A in both normal and short-circuit operation</p> <p>Junction block not included. Installation may require the advice of a qualified person</p>
Consumption	18W at 500mA max
Electrical characteristics	<p>Electrical class : III</p> <p>Max. current : 500mA</p> <p>Power : 17W at 500mA</p> <p>Voltage : 34V at 500mA</p>

All connections must be made before switching on the power supply.  
 otherwise the LEDs may be seriously damaged.  
 Supplying this luminaire with constant voltage may cause irreversible damage



## ELIS D55 SUSPENDED CEILING

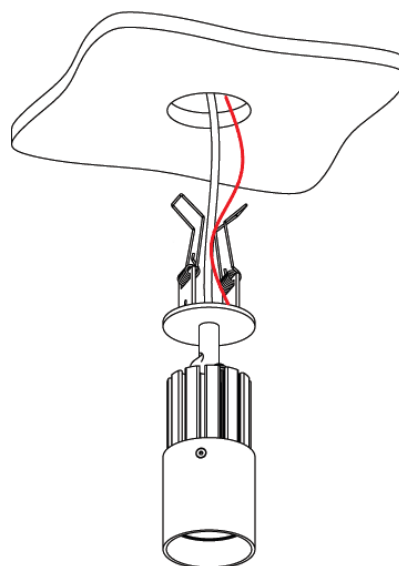
### Installation guide

1

Before installing the luminaire make sure that the ceiling can support the weight of the luminaire ( max 0.6kg depending on version

Attach safety sling if necessary

Connect the luminaire to the driver



2

Tighten the springs and insert the luminaire into the hole Release the springs and guide the luminaire into its position

