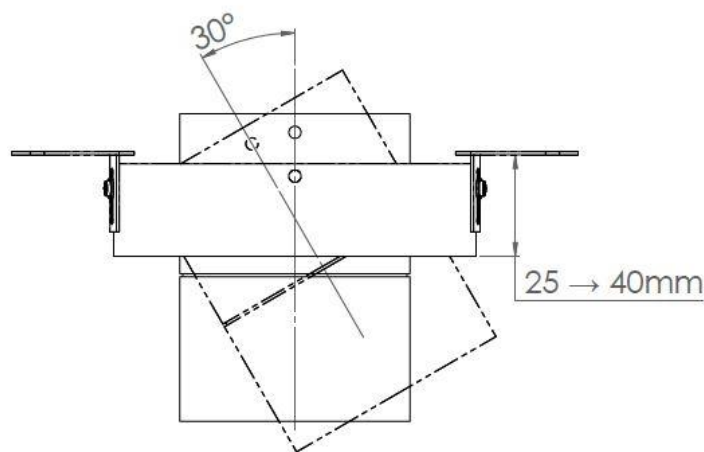
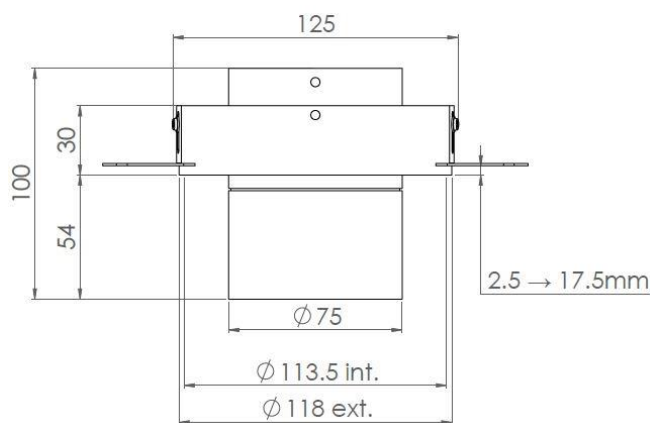




AURORE D75

Trimless version



AURORE D75

Trimless version

Range	Highly flexible recessed ceiling downlight for general & accent cardanic lighting
Description	Low luminance LED ENGINE 600 to 2.000 lm Rotation 360° - Adjustable tilt 30° + 30° White finish RAL 9003 (other upon request)
Net weight	0.50 kg
Installation	Installation diameter: 127mm No specific tools required
LED characteristics	2700K 3000K 3500K 4000K CRI 90 R9 >50 CRI 95 R9 >80 CRI 97 R9 >90
Optical beam	6° - 12° - 15° - 20° - 25° - 30° - 35° - 40° - 60° Elliptic Special filter, honey comb upon request
Separate power supply	350mA to 1.400mA constant current driver according to selected version Dimmable driver upon request
LED power	6W to 25W driver included
Connection	Supplied with 0.50m cable
Use limitations	The product must be installed into a ventilated area. Any use with an ambient temperature higher than the specified ambient temperature (Ta) would lead to a more rapid mortality of the product and the withdrawal of our guarantees. The drivers, if not delivered by LOuss, must be approved before use.
Warranty	Life span: L80B10 at 50,000 hours (80% remaining flux) at 25°C ambient temperature. 3-year parts and labour warranty. The warranty does not apply to products that have been opened, modified or repaired and does not cover the effects of a wrong connection, careless, abusive handling, overvoltage, lighting injury, as well as the normal wear of the product. All products are electrically tested and received a functional burn-in.

All the connections have to be made before powering up, otherwise the luminaires could be seriously damaged.

2/3

LOuss

Last update : 28/09/2020

Firalux & LOuss brands

SARL, Capital 40 000€
RCS DIJON B 503 367 245
TVA/VAT n°: FR24 503 367 245
APE 4676Z

Tel. : +33 380 48 65 68
contact@louss.fr
www.louss.fr
Best group

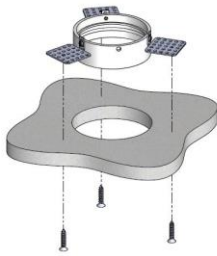
Siège social / Head Office
PA Les Terres d'Or
Route de Saint Philibert
21220 Gevrey Chambertin - FRANCE



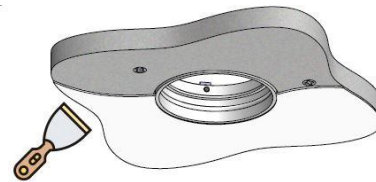
AURORE D75

Trimless version

Installation from above



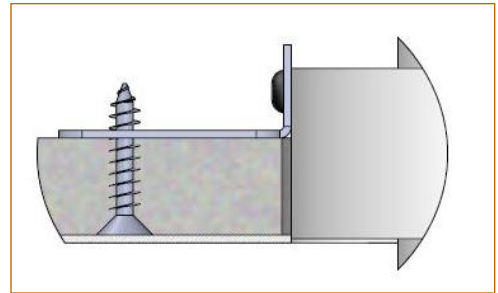
Install the recessed box from above and screw it into the surface



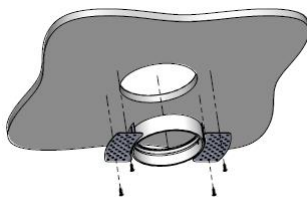
Cover the lateral plates of the recessed box by coating and painting



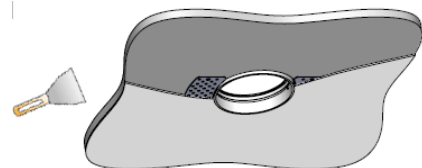
Insert the spotlight from below



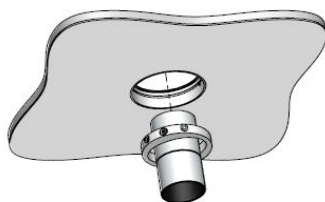
Installation from below



Install the recessed box from below and screw it into the surface



Cover the lateral plates of the recessed box by coating and painting



Insert the spotlight from below

