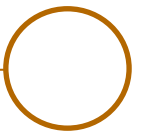




AURORE D75 RECESSED





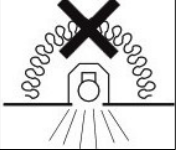
AURORE D75 • Trimless • Trimless Wall-Washer • Trimless Flush

Range	Highly adjustable recessed ceiling downlight for general & accent lighting		
Description	Low luminance Rotation 360° Trimless : Adjustable tilt 30° Trimless Wall-Washer : Adjustable tilt 35° Trimless Flush : Adjustable tilt 20°		
Finish	White RAL 9003 matt finish Black RAL 9005 matt finish (other upon request)		
Dimensions	Trimless	Trimless Wall Washer	Trimless Flush
	Spotlight diameter → 75mm	Spotlight diameter → 75mm	Spotlight diameter → 75mm
	Recessed frame diameter → 118mm	Recessed frame diameter → 118mm	Recessed frame diameter → 135mm
	Installation diameter → 118mm	Installation diameter → 118mm	Installation diameter → 135mm
	Installation depth → 46mm	Installation depth → 46mm	Installation depth → 100mm
Net weight	0.5 kg		
LED characteristics	2700K – 3000K – 3500K - 4000K (other upon request) CRI 90 R9 >50 CRI 95 R9 >80 CRI 97 R9 >90		
Optical beams	6° - 12° - 15° -20° - 25° - 30° - 35° - 40° - 60° - Elliptical UGR < 15		
Accessories	Filters, honeycomb grids upon request		
Luminous flux	600 to 2,000 lumen according to version		
Connection	Supplied with 0.5m cable		
Power supply	700mA max. external constant current driver according to version Dimmable driver upon request		
Power	6W to 25W according to version		

All the connections have to be made before powering up,
otherwise the luminaires could be seriously damaged



AURORE D75 • Trimless • Trimless Wall-Washer • Trimless Flush

<p>Use limitations</p> 	<p>The product must be installed into a ventilated area</p> <p>This product must not be covered with insulating material</p> <p>Any use with an ambient temperature higher than the specified ambient temperature (T_a) would lead to a more rapid mortality of the product and the withdrawal of our guarantees</p> <p>The drivers, if not delivered by LOuss, must be approved before use</p>
<p>Warranty</p>	<p>Life span: L80-B10 = 35,000 hours (80% remaining flux) at 25°C ambient temperature</p> <p>The warranty applies to components and fabrication supplied by Louss</p> <p>The warranty does not apply to products that have been opened, modified or repaired and does not cover the effects of a wrong connection, careless, abusive handling, overvoltage, lighting injury, as well as the normal wear of the product</p> <p>All products are electrically tested and receive a functional burn-in</p>

All the connections have to be made before powering up,
otherwise the luminaires could be seriously damaged

Creation : 2020.09.28 / Last update: 2026.05.06

3/6

LOuss

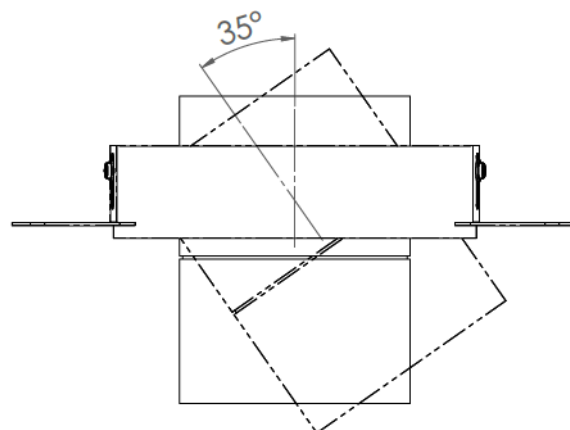
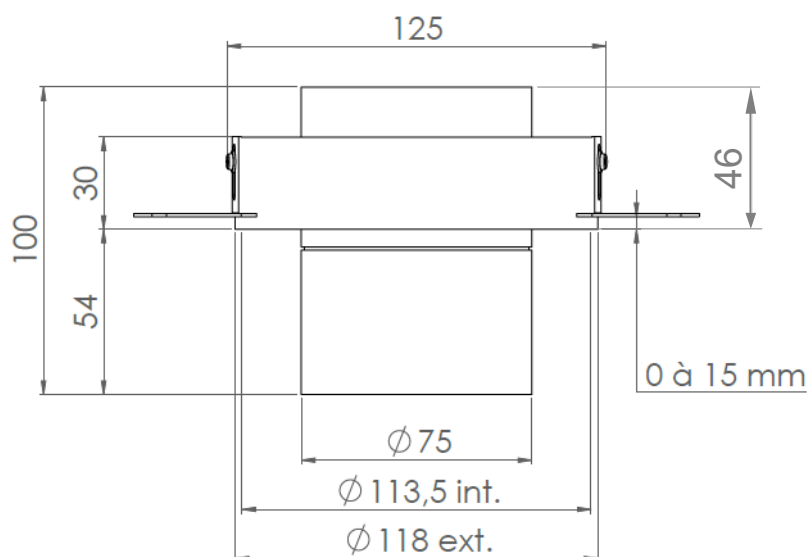
BEST SAS, Capital 200 000€
RCS Dijon B 408 483 485
TVA/VAT n° : FR94 408 483 485
APE 2612Z

Tel. : +33 380 48 65 68
contact@louss.fr
www.louss.fr
Best & LOuss

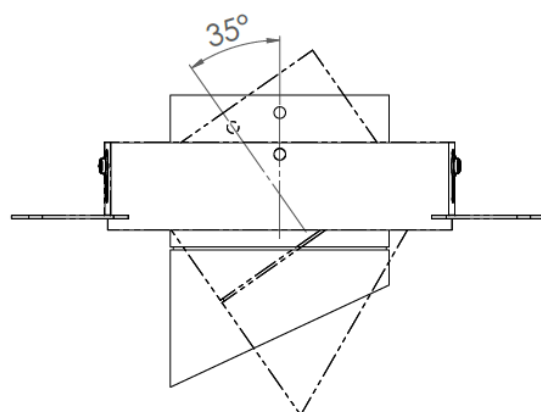
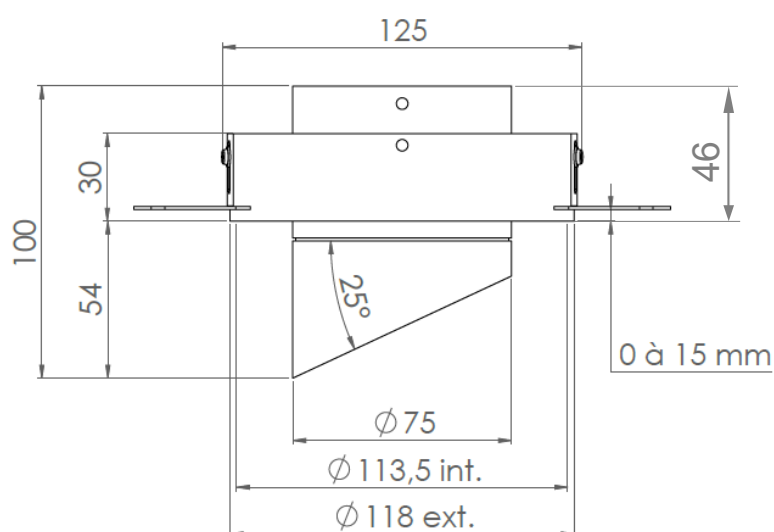
Siège social / Head Office
PA Les Terres d'Or
Route de Saint Philibert
21220 Gevrey Chambertin - FRANCE



AURORE D75 TRIMLESS



AURORE D75 TRIMLESS WALL WASHER



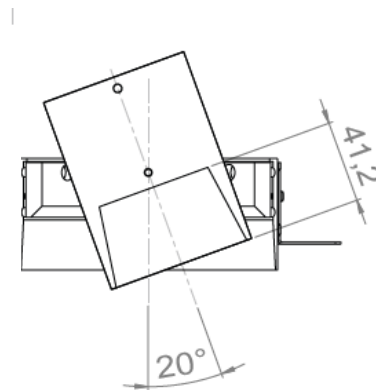
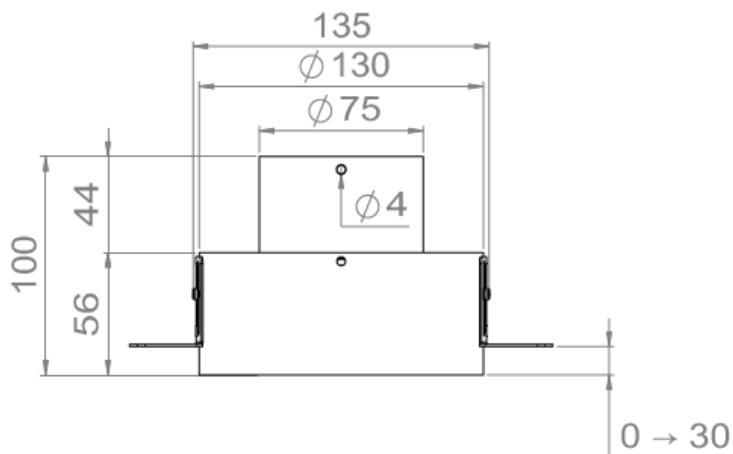
All the connections have to be made before powering up,
otherwise the luminaires could be seriously damaged

Creation : 2020.09.28 / Last update: 2026.05.06

4/6

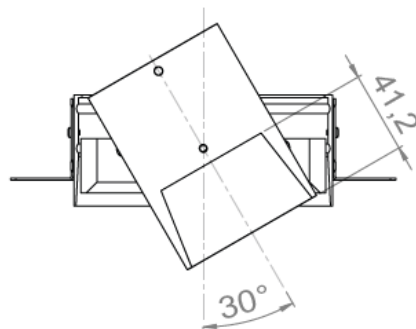
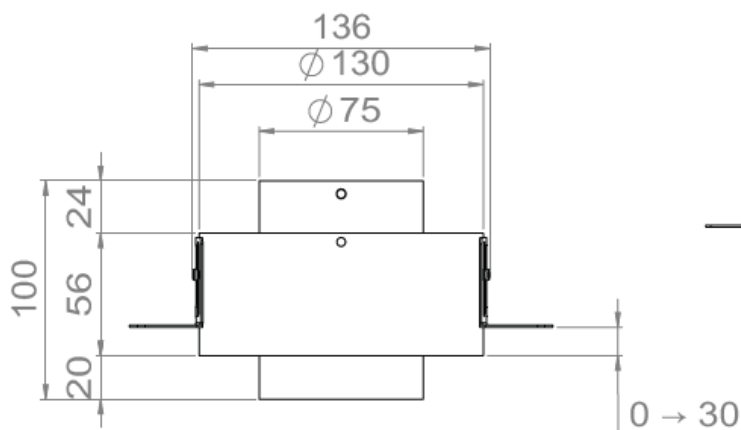


AURORE D75 TRIMLESS FLUSH



Upper position

Insert the luminaire into the upper position of the recessed frame to obtain a flush luminaire



Low position

To obtain 30° orientation angle, insert the luminaire in the lowest position

WARNING :
in this position, the spotlight cannot flush with the ceiling

All the connections have to be made before powering up,
otherwise the luminaires could be seriously damaged

Creation : 2020.09.28 / Last update: 2026.05.06

5/6

LOUSS

BEST SAS, Capital 200 000€
RCS Dijon B 408 483 485
TVA/VAT n° : FR94 408 483 485
APE 2612Z

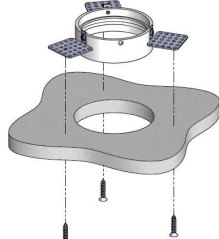
Tel. : +33 380 48 65 68
contact@louss.fr
www.louss.fr
Best & LOUSS

Siège social / Head Office
PA Les Terres d'Or
Route de Saint Philibert
21220 Gevrey Chambertin - FRANCE

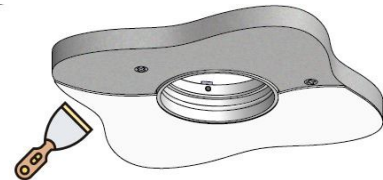


AURORE D75 • Trimless • Trimless Wall-Washer • Trimless Flush

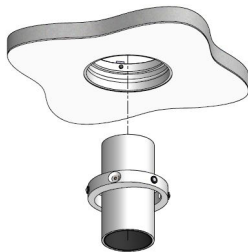
Installation from above



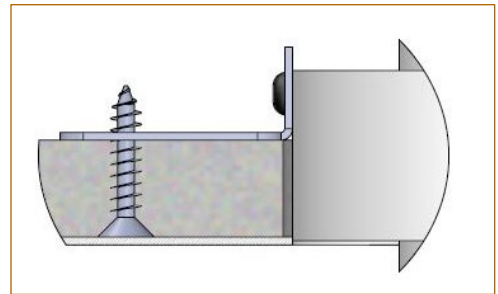
Install the recessed box from above and screw it into the surface



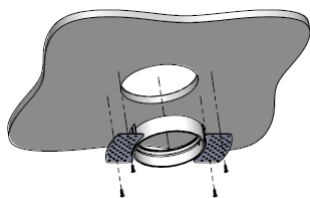
Cover the lateral plates of the recessed box by coating and painting



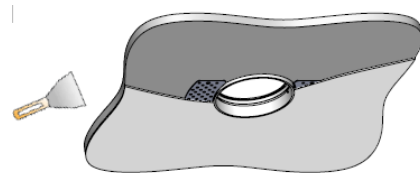
Insert the spotlight from below



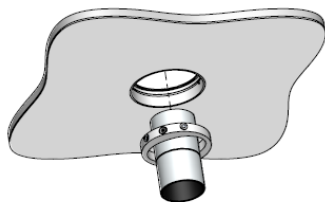
Installation from below



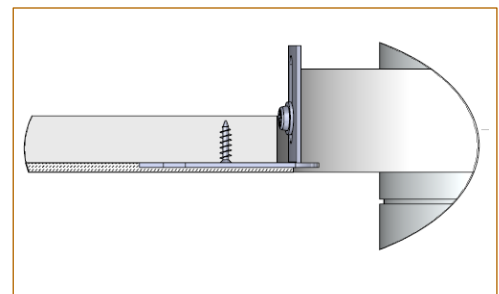
Install the recessed box from below and screw it into the surface



Cover the lateral plates of the recessed box by coating and painting



Insert the spotlight from below



All the connections have to be made before powering up, otherwise the luminaires could be seriously damaged