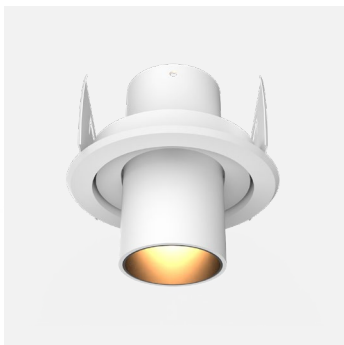
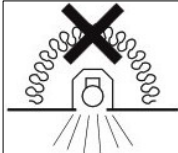




AURORE D55 RECESSED



AURORE D55 • Trim • Trim Flush • Trimless • Trimless Flush

<p>Use limitations</p> 	<p>The product must be installed into a ventilated area</p> <p>This product must not be covered with insulating material</p> <p>Any use with an ambient temperature higher than the specified ambient temperature (Ta) would lead to a more rapid mortality of the product and the withdrawal of our guarantees</p> <p>The drivers, if not delivered by LOuss, must be approved before use</p>
<p>Warranty</p>	<p>Life span : L80B10 at 50,000 hours (80% remaining flux) at 25°C ambient temperature</p> <p>3-year parts and labour warranty</p> <p>The warranty does not apply to products that have been opened, modified or repaired and does not cover the effects of a wrong connection, careless, abusive handling, overvoltage, lightning injury, as well as the normal wear of the product</p> <p>All products are electrically tested and received a functional burn-in</p>

All the connections have to be made before powering up, otherwise the luminaires could be seriously damaged

Creation : 2025.02.11 / Last update: 2026.05.06

3/7

LOuss

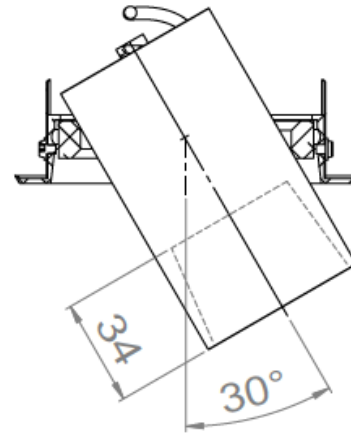
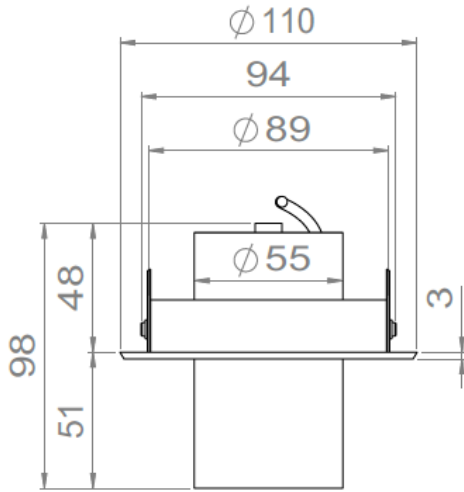
BEST SAS, Capital 200 000€
RCS Dijon B 408 483 485
TVA/VAT n° : FR94 408 483 485
APE 2612Z

Tel. : +33 380 48 65 68
contact@louss.fr
www.louss.fr
Best & LOuss

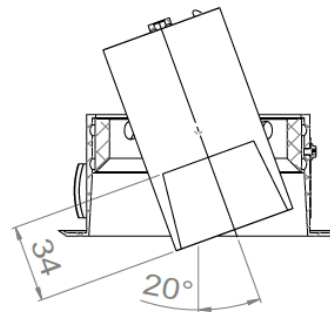
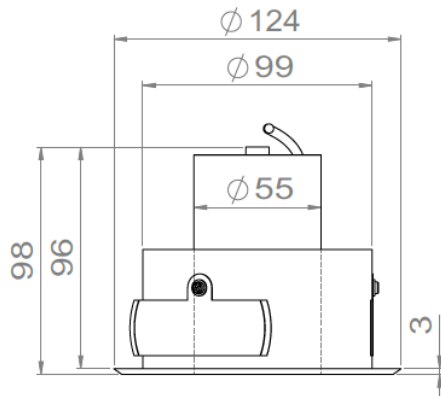
Siège social / Head Office
PA Les Terres d'Or
Route de Saint Philibert
21220 Gevrey Chambertin - FRANCE



AURORE D55 TRIM

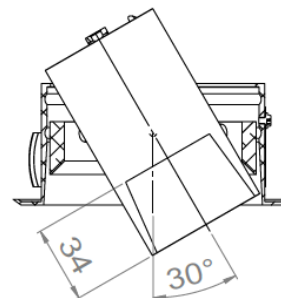
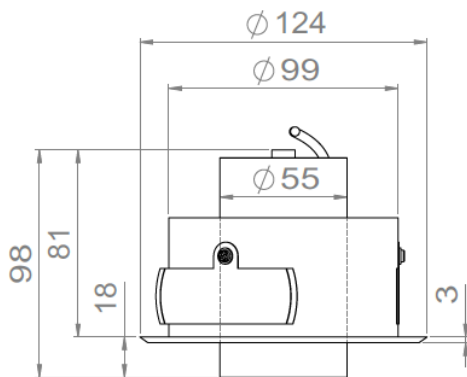


AURORE D55 TRIM FLUSH



Upper position

Insert the luminaire into the upper position of the recessed frame to obtain a flush luminaire



Low position

To obtain 30° orientation angle, insert the luminaire in the lowest position

WARNING :
in this position, the spotlight cannot flush with the ceiling

All the connections have to be made before powering up, otherwise the luminaires could be seriously damaged

Creation : 2025.02.11 / Last update: 2026.05.06

LOUSS

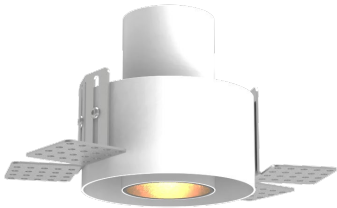
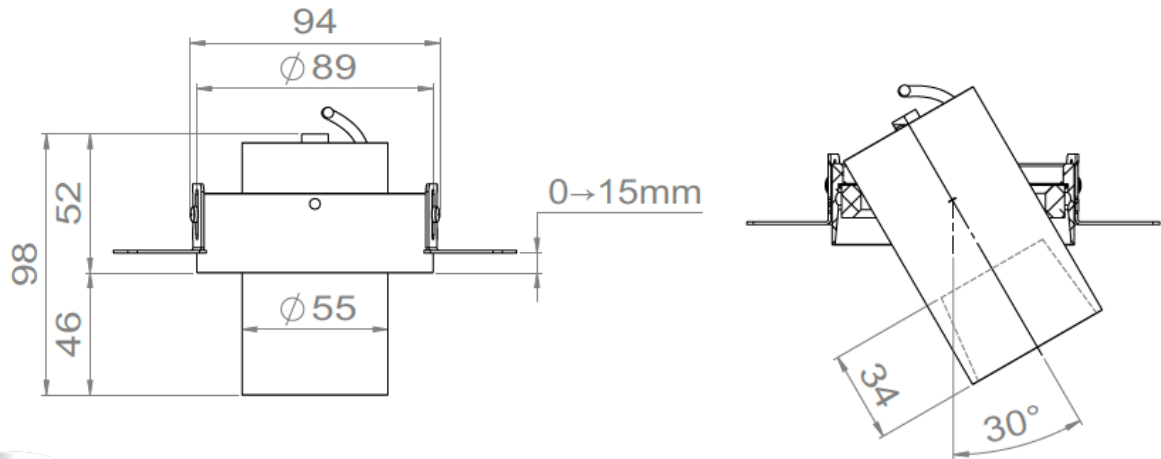
BEST SAS, Capital 200 000€
RCS Dijon B 408 483 485
TVA/VAT n° : FR94 408 483 485
APE 2612Z

Tel. : +33 380 48 65 68
contact@louss.fr
www.louss.fr
Best & LOUSS

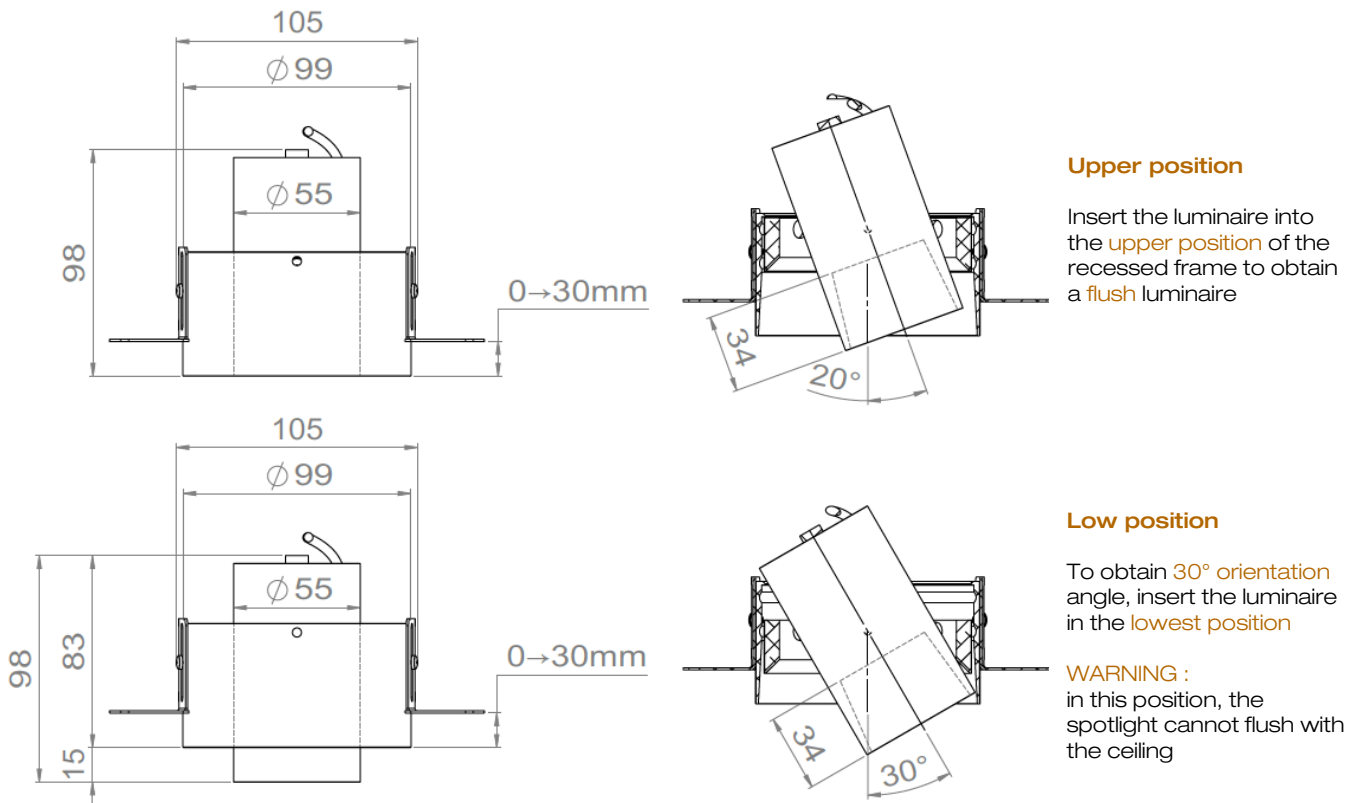
Siège social / Head Office
PA Les Terres d'Or
Route de Saint Philibert
21220 Gevrey Chambertin - FRANCE



AURORE D55 TRIMLESS



AURORE D55 TRIMLESS FLUSH



All the connections have to be made before powering up, otherwise the luminaires could be seriously damaged

Creation : 2025.02.11 / Last update: 2026.05.06

LOUSS

BEST SAS, Capital 200 000€
RCS Dijon B 408 483 485
TVA/VAT n° : FR94 408 483 485
APE 2612Z

Tel. : +33 380 48 65 68
contact@louss.fr
www.louss.fr
Best & LOUSS

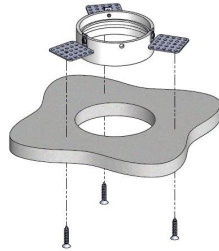
Siège social / Head Office
PA Les Terres d'Or
Route de Saint Philibert
21220 Gevrey Chambertin - FRANCE

5/7

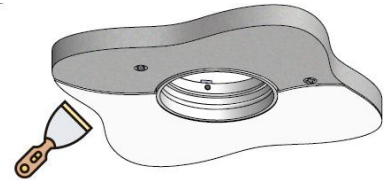


AURORE D55 • Trim • Trim Flush • Trimless • Trimless Flush

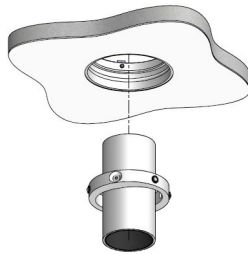
Installation from above



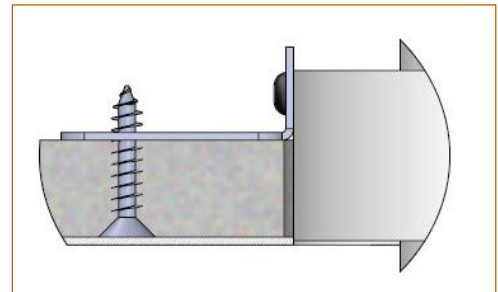
Install the recessed box from above and screw it into the surface



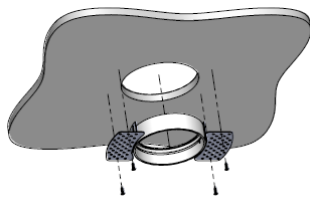
Cover the lateral plates of the recessed box by coating and painting



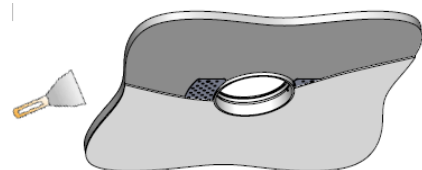
Insert the spotlight from below



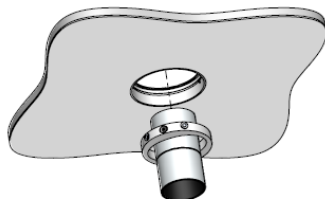
Installation from below



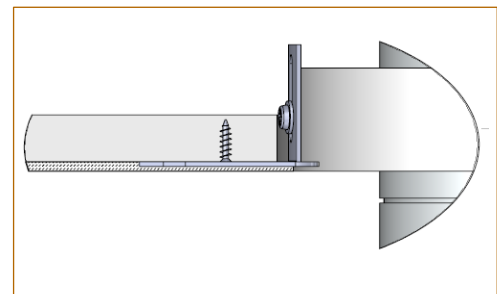
Install the recessed box from below and screw it into the surface



Cover the lateral plates of the recessed box by coating and painting



Insert the spotlight from below



All the connections have to be made before powering up, otherwise the luminaires could be seriously damaged

Creation : 2025.02.11 / Last update: 2026.05.06

LOUSS

BEST SAS, Capital 200 000€
RCS Dijon B 408 483 485
TVA/VAT n° : FR94 408 483 485
APE 2612Z

Tel. : +33 380 48 65 68
contact@louss.fr
www.louss.fr
Best & LOUSS

Siège social / Head Office
PA Les Terres d'Or
Route de Saint Philibert
21220 Gevrey Chambertin - FRANCE



AURORE D55 • Trim • Trim Flush • Trimless • Trimless Flush

LOuss **Permuto** easy swap system



All the connections have to be made before powering up, otherwise the luminaires could be seriously damaged

Creation : 2025.02.11 / Last update: 2026.05.06

LOuss

BEST SAS, Capital 200 000€
RCS Dijon B 408 483 485
TVA/VAT n° : FR94 408 483 485
APE 2612Z

Tel. : +33 380 48 65 68
contact@louss.fr
www.louss.fr
Best & LOuss

Siège social / Head Office
PA Les Terres d'Or
Route de Saint Philibert
21220 Gevrey Chambertin - FRANCE