

# Wouss

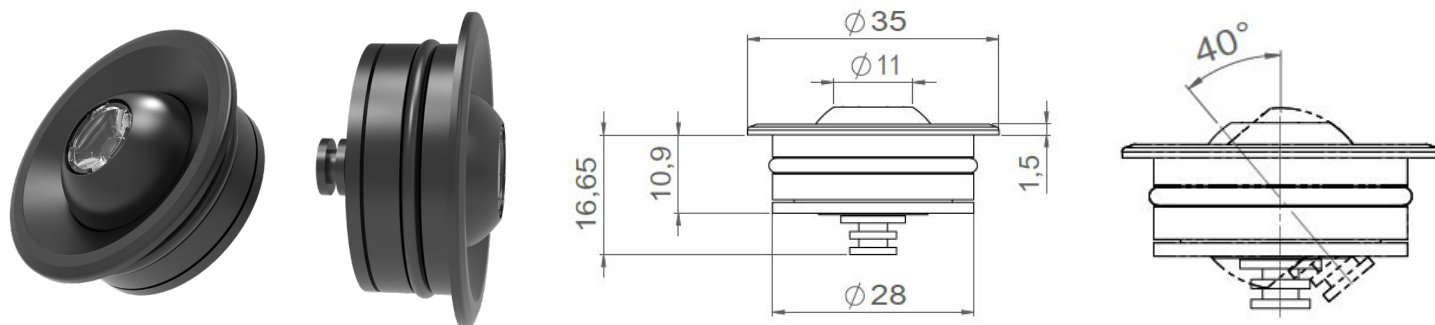
Lighting Emotion



## SATURNE

*Ultra compact and adjustable  
recessed LED luminaire*





## SATURNE

|                              |   |
|------------------------------|---|
| <b>Range</b>                 | Ultra compact recessed and adjustable light fixture for accent lighting   |
| <b>Description</b>           | Body in natural or black anodised aluminium (other finishing upon request)<br>Adjustable mounting system  |
| <b>Dimensions</b>            | External diameter: 35mm<br>Fits into 19mm thick panel   |
| <b>Net Weight</b>            | 0.022 kg  |
| <b>LED characteristics</b>   | 1 LED: 2700K - 3000K - 4000K (other LED colours upon request)   |
| <b>Optical beam</b>          | 15° - 25° - 40° - 80° (other optical beam upon request)   |
| <b>Connection</b>            | Delivered with 0.5m standard cable (more length upon request)<br>Individual connection or connection in series on external constant current driver  |
| <b>Separate power supply</b> | 350mA - 500mA   |
| <b>LED Power</b>             | 350mA : 1.2W<br>500mA : 1.8W  |
| <b>Use limitations</b>       | The product must be installed into a ventilated area. Any use with an ambient temperature higher than the specified ambient temperature (Ta) would lead to a more rapid mortality of the product and the withdrawal of our guarantees.<br>The drivers, if not delivered by LOuss, must be approved before use.  |
| <b>Warranty</b>              | Life span: L80B10 at 50,000 hours (80% remaining flux) at 25°C ambient temperature.<br>3-year parts and labour warranty.<br>The warranty does not apply to products that have been opened, modified or repaired and does not cover the effects of a wrong connection, careless, abusive handling, overvoltage, lighting injury, as well as the normal wear of the product.<br>All products are electrically tested and received a functional burn-in. |

All the connections have to be made before powering up,  
otherwise the luminaire could be seriously damaged.

LOuss

Last update : 20/09/2018

Firalux & LOuss brands

SARL, Capital 40 000€  
RCS DIJON B 503 367 245  
TVA/VAT n°: FR24 503 367 245  
APE 4676Z

Tel. : +33 380 48 65 68  
contact@louss.fr  
[www.louss.fr](http://www.louss.fr)  
Best group

Siège social / Head Office  
PA Les Terres d'Or  
Route de Saint Philibert  
21220 Gevrey Chambertin - FRANCE