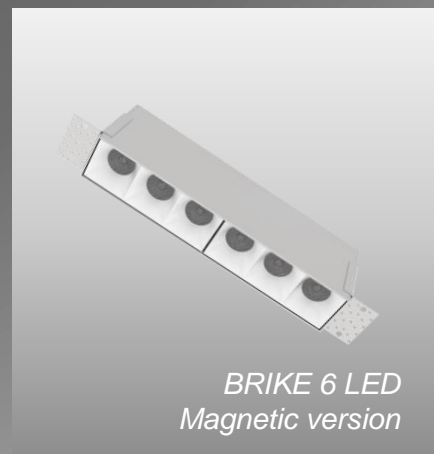
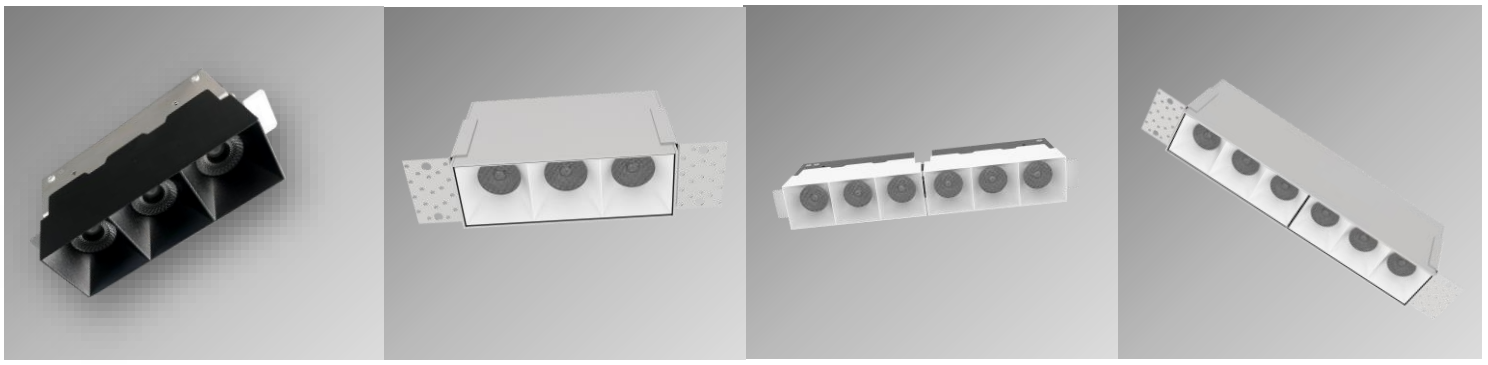


BRIKE RANGE





BRIKE

Common characteristics

Range	Low luminance luminaire for general and accent lighting
Description	Aluminium heatsink & body RAL upon request
LED characteristics	2700K – 3000K – 3500K - 4000K (other upon request) CRI90 – CRI > 95 upon request UGR < 19
Optical beam	10°- 25°- 40°- 60°- specific filters upon request
Connection	Supplied with safety rope and 1m standard cable (other upon request)
Separate power supply	350 to 900mA constant current driver Dimmable driver upon request
LED power	7W to 18W
Use limitations	The product must be installed into a ventilated area. Any use with an ambient temperature higher than the specified ambient temperature (Ta) would lead to a more rapid mortality of the product and the withdrawal of our guarantees. The drivers, if not delivered by LOuss, must be approved before use.
Warranty	Life span: L80B10 at 50,000 hours (80% remaining flux) at 25°C ambient temperature. 3-year parts and labour warranty. The warranty does not apply to products that have been opened, modified or repaired and does not cover the effects of a wrong connection, careless, abusive handling, overvoltage, lighting injury, as well as the normal wear of the product. All products are electrically tested and received a functional burn-in.

All the connections have to be made before powering up,
otherwise the luminaires could be seriously damaged.

LOuss

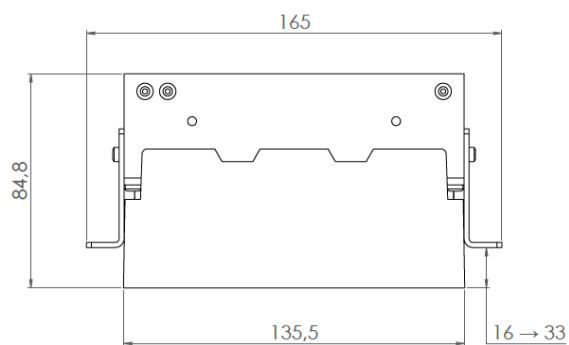
Last update : 25/10/2021

Firalux & LOuss brands

SARL, Capital 40 000€
RCS DIJON B 503 367 245
TVA/VAT n°: FR24 503 367 245
APE 4676Z

Tel. : +33 380 48 65 68
contact@louss.fr
www.louss.fr
Best group

Siège social / Head Office
PA Les Terres d'Or
Route de Saint Philibert
21220 Gevrey Chambertin - FRANCE

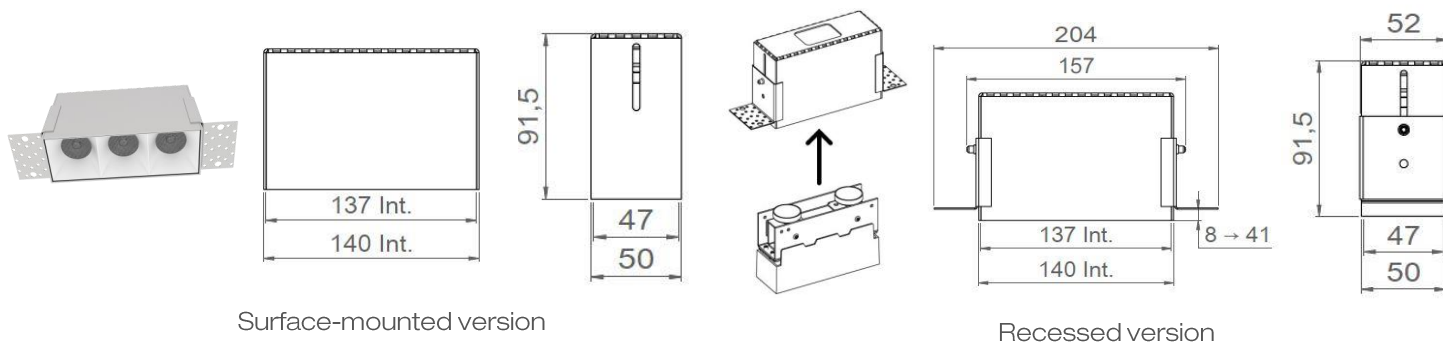


BRIKE 3 LED

Brackets version

Dimensions	Length : 166mm with brackets Width : 46mm Height : 86mm
Net weight	0.370 kg (except driver)
Installation	Recessed dimensions: 136mm x 47mm (An open space of 100mm has to be planned above the ceiling)

All the connections have to be made before powering up,
otherwise the luminaires could be seriously damaged.

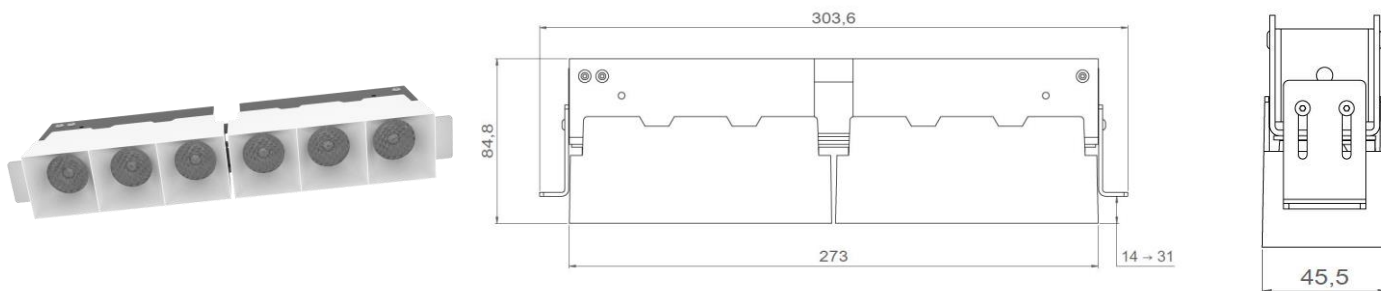


BRIKE 3 LED

Magnetic version

Dimensions	Length : 157mm Width : 50mm Height : 91.5mm
Net weight	0.670 kg (except driver)
Installation	Recessed dimensions : 142mm x 49mm (An open space of 100mm has to be planned above the ceiling)

All the connections have to be made before powering up,
otherwise the luminaires could be seriously damaged.

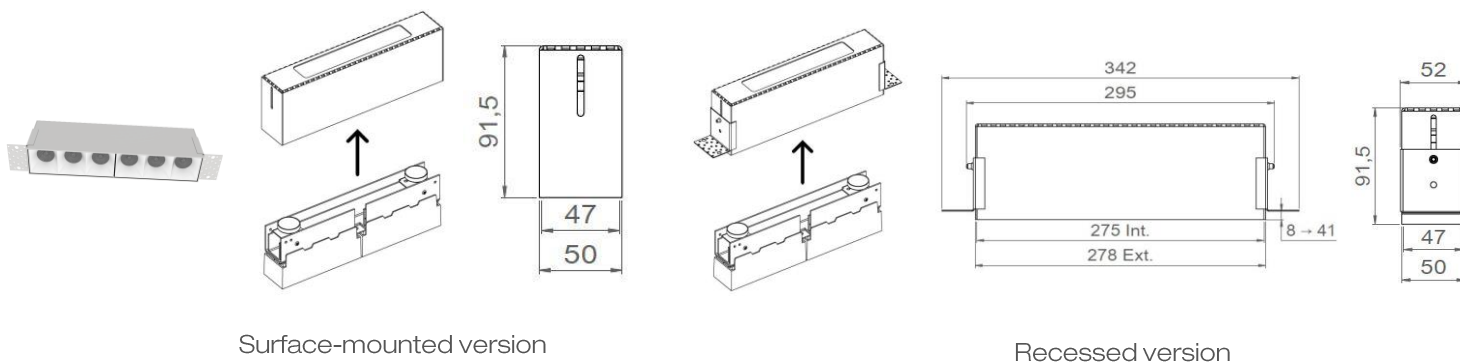


BRIKE 6 LED

Brackets version

Dimensions	Length : 306mm with brackets Width : 46mm Height : 86mm
Net weight	0.850 kg (except driver)
Installation	Recessed dimensions : 275mm x 47mm (An open space of 100mm has to be planned above the ceiling)

All the connections have to be made before powering up,
otherwise the luminaires could be seriously damaged.



BRIKE 6 LED

Magnetic version

Dimensions	Length : 295mm Width : 47mm Height : 91.50mm
Net weight	1.40 kg (except driver)
Installation	Recessed dimensions : 280mm x 49mm (An open space of 100mm has to be planned above the ceiling)

All the connections have to be made before powering up,
otherwise the luminaires could be seriously damaged.